

ROUND SINK

With overflow



SNR027C / SNR031C / SNR036C
Bright finish



SNR027CS / SNR031CS / SNR036CS
Satin finish

General Description

- Recessed round bathroom sink with overflow hole, made of stainless steel AISI 304, 1.2 mm thick.
- The stainless steel AISI 304 construction protects the product against rust and ensures quality and longevity.
- Robust and vandal-proof.
- Easy to clean
- Model suitable for public use with high strength and durability.

Materials & components

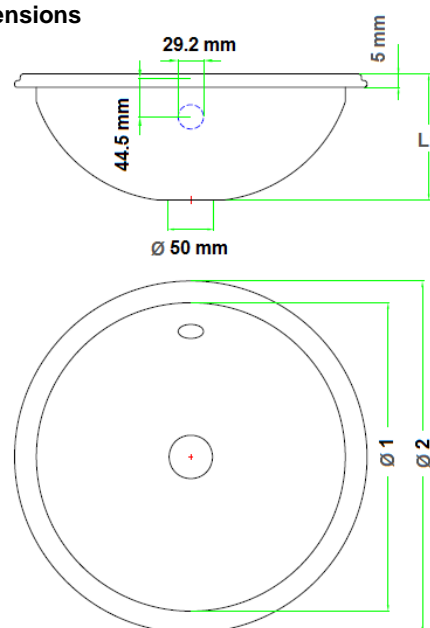
- **SN0027C/SN0031C/SN0036C:** stainless steel AISI 304, 1.2 mm thick, bright finish.
- **SN0027CS/SN0031CS/SN0036CS:** stainless steel AISI 304, 1.2 mm thick, satin finish.
- **BODY:** one-piece construction, 1.2 mm thick with different bowl diameters to suit the specific need. 50 mm outflow diameter.
- **OVERFLOW KIT:** code KTR100, made of stainless steel AISI 304, bright finish. Easy to install. **Not delivered** (optionally supplied).



Technical specifications

Bowl thickness	1.2 mm
Outlet	Ø 50 mm
Inner diameter	Ø 1
Outer diameter	Ø 2
Overflow diameter	Ø 29.2mm
Bowl depth	L1
Weight (empty)	0.55 Kg/0.75Kg/0.95 Kg

Dimensions



Model number	L1 (mm)	Ø1 (mm)	Ø2 (mm)
SNR027C / SNR027CS	110	265	305
SNR031C / SNR031CS	130	315	355
SNR036C / SNR036CS	145	355	405

Dimensions ±4%

MOUNTING TEMPLATE

80-90 cm at lower point