

E14A80



Collection: SERENITY

Finish*:



GA - Profiles chromés

Main features:



Features

- **DIMENSIONS:** 190 x 80 cm
- **INSTALLATION TYPE:** Corner
- **OPENING:** 44.7
- **PANEL HEIGHT IN CM:** 190
- **ENCLOSURE TYPE:** Sliding door
- 2 sliding corner access doors, reversible right or left
- **MATERIAL:** Glass with aluminium frame
- **MIN/MAX WIDTH:** 75,8 - 78,3
- **GLASS THICKNESS IN MM:** 6
- **WALL ADJUSTMENT IN MM:** 25 mm
- **INSTALLATION:** Close Space

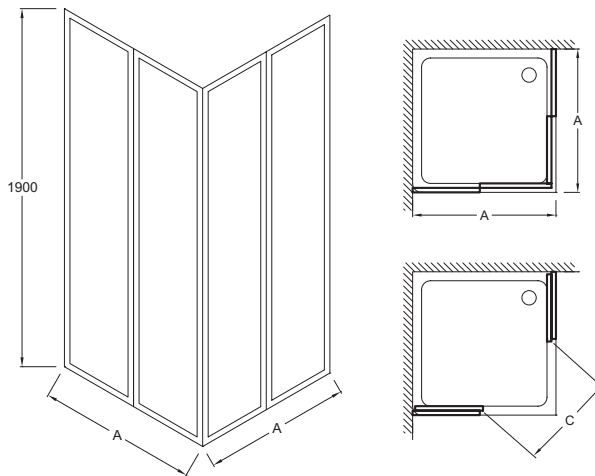
Consumer benefits

- **COMFORT:** Removable doors for easy cleaning

Installation benefits

- **EASY INSTALLATION:** Factory-assembled enclosure for fast installation
- Height-adjustable top rollers 5 mm
- **EASIER INSTALLATION:** Left or right reversible installation

Technical drawing



	E14A80	E14A90
Mm	800x800	900x900
Amini/maxi	758-783	858-883
C	447	518

Product Specification: Corner entry 2 sliding doors. E14A80. Collection: SERENITY. DIMENSIONS: 190 x 80 cm. MATERIAL: Glass with aluminium frame. INSTALLATION TYPE: Corner. MIN/MAX WIDTH: 75,8 - 78,3. OPENING: 44.7. GLASS THICKNESS IN MM: 6. PANEL HEIGHT IN CM: 190. WALL ADJUSTMENT IN MM: 25 mm. ENCLOSURE TYPE: Sliding door. INSTALLATION: Close Space. 2 sliding corner access doors, reversible right or left.

*Due to possible variations in computer and printer calibrations, technical factors and certain finish characteristics, the colors you see may not accurately portray the actual colors and are provided as a guide only.