

EASTON

EAKM02

Easton Classic Two Hole Bridge Gooseneck Kitchen Faucet, Metal Lever Handles



SHOWN IN EASTON CLASSIC TWO HOLE BRIDGE GOOSENECK KITCHEN FAUCET, METAL LEVER HANDLES| EAKM02

TECHNICAL DETAILS

ADA Compliance: Yes
 Adjustable versus Fixed Spray: Fixed Spray
 Deck Thickness Maximum: 1 1/4"
 Deck Thickness Minimum: 0"
 Escutcheon Primary Material: Brass
 Fittings Hole Diameter: 1"
 Flow Restriction Options: 1.75, 1.5, 1.0
 Handle Spread Maximum: 7 7/8"
 Handle Spread Minimum: 7 7/8"
 Handle Turn Angle: Quarter Turn
 Index Color / Finish and Material: White Porcelain
 Depth / Width: 13 1/4"
 Height: 16"
 Index Marking: Hot/Cold
 Inlet Connection Size: 1/2"
 Inlet Connection Type: Straight Male Threads
 Inlet Supply Spread Maximum: 10 7/8"
 Inlet Supply Spread Minimum: 4 7/8"
 Integrated Diverter: N
 Length: 13 1/2"
 Number of Handles: Two
 Number of Holes: Two Hole
 Primary Material: Brass
 Restricted Maximum Flow Rate: 2.2 gpm
 Spout Swivel: Y
 Spray Included in Unit: N
 Suggested Application: Bar, Kitchen, Laundry
 Valve Material: Ceramic
 Water Pressure Maximum: 85.0 psi
 Water Pressure Minimum: 20.0 psi
 Water Pressure Recommended: 45.0 psi

INSPIRATION

Drawing on Edwardian style, Easton is the most extensive Waterworks family; a range of moods and a selection of products from fittings to furniture.

CODES & STANDARDS

Code # EAKM02: ASME A112.18.1, CSA B125, NSF, IAPMO, CEC, State of MA

PRODUCT FEATURES

Brass metal is used for all trim and valve components

The manufacturing process encompasses casting, turning, forging, hand-fitting and hand polishing.

Easton is our most comprehensive fittings family.

Easton has a clean-lined utilitarian profile, with a slightly elongated spout.

Standard flow rate is 2.2gpm (8.3 L/min) and State of California requires a maximum of 1.8gpm(6.8 L/min). Also available in other flow options. Contact a sales associate for details.

CERTIFICATIONS



PRODUCT (NOTES)

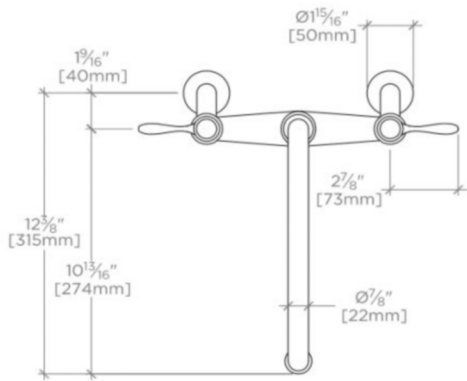
Spray sold separately

WATERWORKS

EASTON

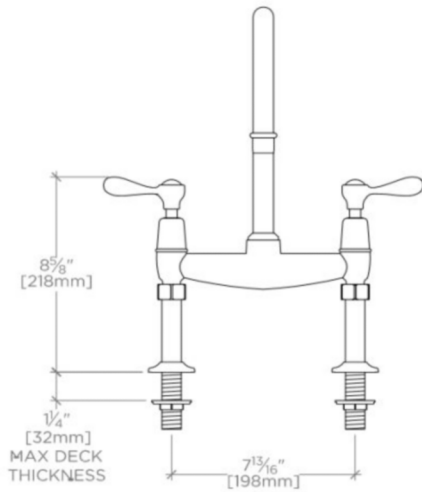
EAKM02

Easton Classic Two Hole Bridge Gooseneck Kitchen Faucet, Metal
Lever Handles



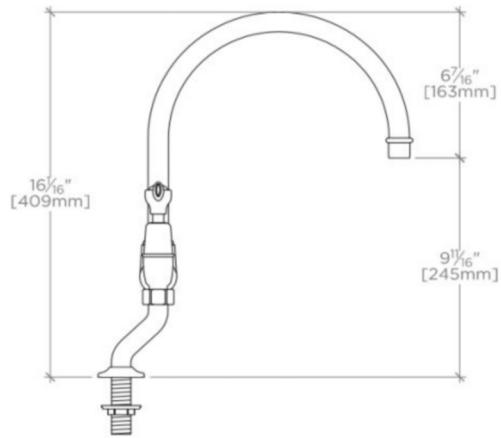
TOP VIEW

SCALE: $1\frac{1}{2}$ "=1'-0"



FRONT VIEW

SCALE: $1\frac{1}{2}$ "=1'-0"



SIDE VIEW

SCALE: $1\frac{1}{2}$ "=1'-0"