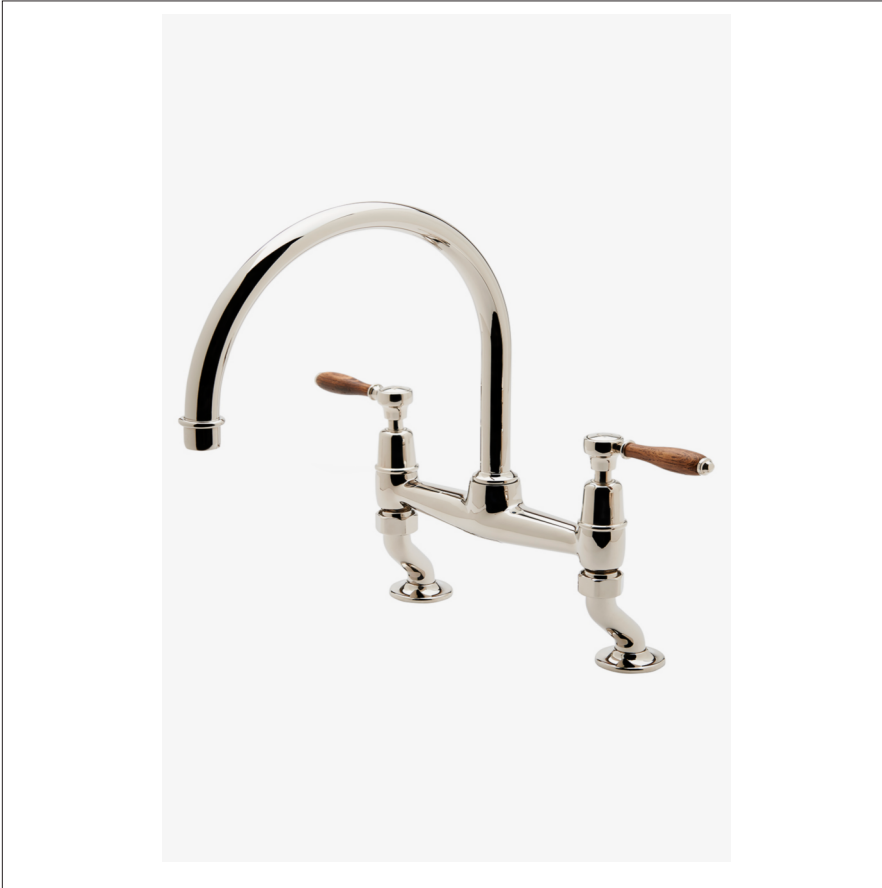


WATERWORKS

EASTON

EAKM05

Easton Classic Two Hole Bridge Gooseneck Kitchen Faucet, Oak Lever Handles



SHOWN IN EASTON CLASSIC TWO HOLE BRIDGE GOOSENECK KITCHEN FAUCET, OAK LEVER HANDLES| EAKM05

TECHNICAL DETAILS

ADA Compliance: Yes
Adjustable versus Fixed Spray: Fixed Spray
Deck Thickness Maximum: 1 1/4"
Deck Thickness Minimum: 0"
Fittings Hole Diameter: 1"
Flow Restriction Options: 1.75, 1.5, 1.0
Handle Spread Maximum: 7 7/8"
Handle Spread Minimum: 7 7/8"
Handle Turn Angle: Quarter Turn
Index Color / Finish and Material: White Porcelain
Depth / Width: 13 1/4"
Height: 16"
Inlet Connection Size: 1/2"
Inlet Connection Type: Straight Male Threads
Inlet Supply Spread Maximum: 10 7/8"
Inlet Supply Spread Minimum: 4 7/8"
Length: 13 1/2"
Number of Holes: Two Hole
Primary Material: Brass
Restricted Maximum Flow Rate: 2.2 gpm
Spray Included in Unit: N
Suggested Application: Bar, Kitchen, Laundry
Valve Material: Ceramic
Water Pressure Maximum: 85.0 psi
Water Pressure Minimum: 20.0 psi
Water Pressure Recommended: 45.0 psi

INSPIRATION

Drawing on Edwardian style, Easton is the most extensive Waterworks family; a range of moods and a selection of products from fittings to furniture.

CODES & STANDARDS

Code # EAKM05: CEC

PRODUCT FEATURES

Brass metal is used for all trim and valve components

The manufacturing process encompasses casting, turning, forging, hand-fitting and hand polishing.

Easton is our most comprehensive fittings family.

Easton has a clean-lined utilitarian profile, with a slightly elongated spout.

Standard flow rate is 2.2gpm (8.3 L/min) and State of California requires a maximum of 1.8gpm(6.8 L/min). Also available in other flow options. Contact a sales associate for details.

CERTIFICATIONS



PRODUCT (NOTES)

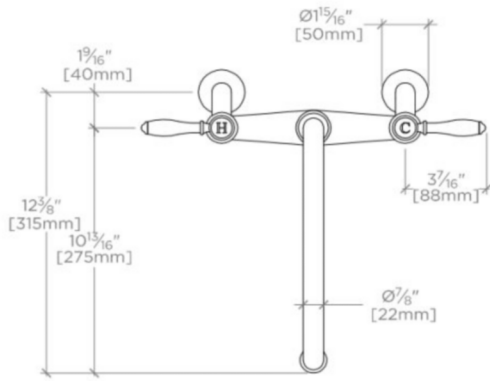
Spray sold separately

WATERWORKS

EASTON

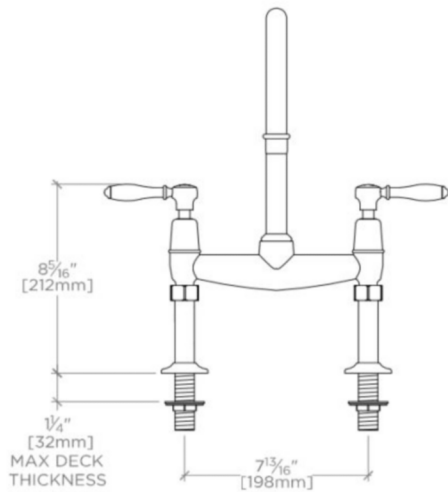
EAKM05

Easton Classic Two Hole Bridge Gooseneck Kitchen Faucet, Oak
Lever Handles



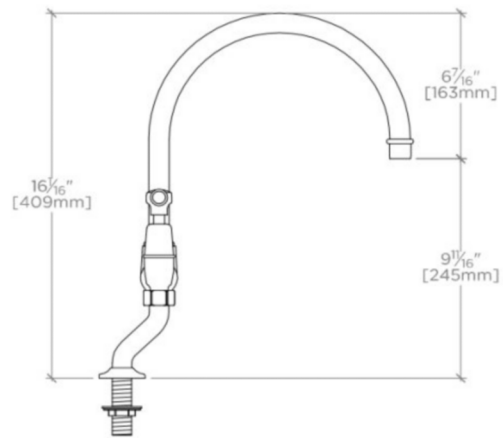
TOP VIEW

SCALE: $1\frac{1}{2}$ "=1'-0"



FRONT VIEW

SCALE: $1\frac{1}{2}$ "=1'-0"



SIDE VIEW

SCALE: $1\frac{1}{2}$ "=1'-0"