

E6065



Collection: ODÉON UP

Finish*:



00 - White

Main features:



Features

- DIMENSIONS: 160 x 90 x 42 cm
- MATERIAL: Acrylic
- VOLUME (L): 170/100
- FOOT HEIGHT: 125/170
- FEET: Supplied
- WASTE : Not supplied
- BATH WELL LENGTH: 107,5 cm
- TWO-PERSON BATH: No
- GUARANTEE: 10 years
- WEIGHT: 19.2 kg
- INSTALLATION TYPE: Corner
- SHAPE: Asymmetric
- WASTE DIAMETER: 5,2 cm
- STEP: Not supplied
- OPTIONAL COORDINATING PANEL: Optional
- BATH WELL WIDTH: 40 cm
- CAN BE EQUIPPED WITH A WHIRLPOOL SYSTEM: Yes

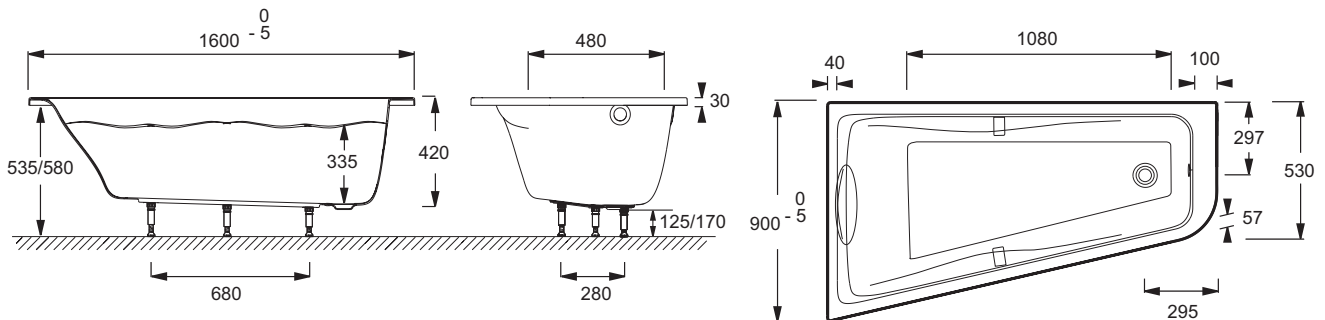
Consumer benefits

- COMFORT: Cushion included
- FUNCTIONAL : Chrome handgrips included

Required products

- E70174: Pop-up waste

Technical drawing



Product Specification: Asymmetric bath 160 x 90 cm, LH. E6065. Collection: ODÉON UP. DIMENSIONS: 160 x 90 x 42 cm. WEIGHT: 19.2 kg. MATERIAL: Acrylic. INSTALLATION TYPE: Corner. VOLUME (L): 170/100. SHAPE: Asymmetric. FOOT HEIGHT: 125/170. WASTE DIAMETER: 5,2 cm. FEET: Supplied. STEP: Not supplied. WASTE : Not supplied. OPTIONAL COORDINATING PANEL: Optional. BATH WELL LENGTH: 107,5 cm. BATH WELL WIDTH: 40 cm. TWO-PERSON BATH: No. CAN BE EQUIPPED WITH A WHIRLPOOL SYSTEM: Yes. GUARANTEE: 10 years.

*Due to possible variations in computer and printer calibrations, technical factors and certain finish characteristics, the colors you see may not accurately portray the actual colors and are provided as a guide only.