

E22C120



Collection: CONTRA

Finish*:



GA - Profiles
chromés



BL - Noir mat

Main features:



Features

- **DIMENSIONS:** 195 x 120 cm
- **MATERIAL:** Clear glass
- **MIN/MAX WIDTH WITH SINGLE DOOR:** 117.5 - 120.5
- **OPENING:** 44
- **PANEL HEIGHT IN CM:** 195
- **ENCLOSURE TYPE:** Sliding door
- **ANTI-SCALE TREATMENT:** Yes
- **WEIGHT:** 52 kg
- **INSTALLATION TYPE:** Alcove or corner
- **MIN/MAX WIDTH WITH FIXED PANEL:** 116.5 - 118.5
- **GLASS THICKNESS IN MM:** 8
- **WALL ADJUSTMENT IN MM:** 18 mm
- **INSTALLATION:** Close Space
- **WATERTIGHT:** Magnetic door close for better seal, no door sill

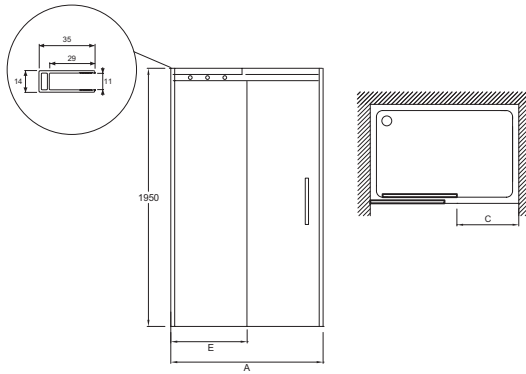
Consumer benefits

- **COMFORT:** Fluid, quiet closing action
- **EASY UPKEEP:** Door is removable in a single step, smooth surface

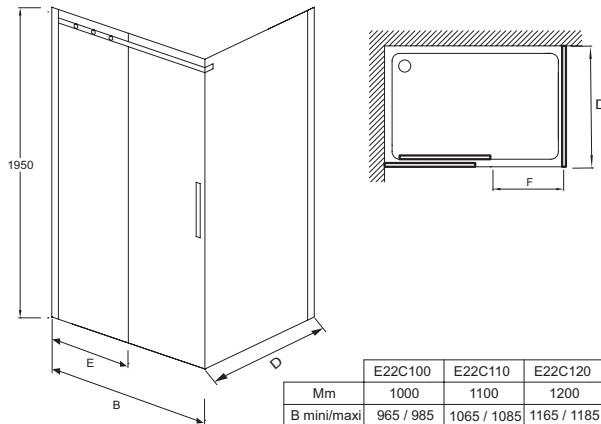
Installation benefits

- **EASY INSTALLATION:** Wall adjustment 20 mm

Product Specification: Sliding door 120 cm. E22C120. Collection: CONTRA. DIMENSIONS: 195 x 120 cm. WEIGHT: 52 kg. MATERIAL: Clear glass. INSTALLATION TYPE: Alcove or corner. MIN/MAX WIDTH WITH SINGLE DOOR: 117.5 - 120.5. MIN/MAX WIDTH WITH FIXED PANEL: 116.5 - 118.5. OPENING: 44. GLASS THICKNESS IN MM: 8. PANEL HEIGHT IN CM: 195. WALL ADJUSTMENT IN MM: 18 mm. ENCLOSURE TYPE: Sliding door. INSTALLATION: Close Space. ANTI-SCALE TREATMENT: Yes. WATERTIGHT: Magnetic door close for better seal, no door sill.



	E22C100	E22C110	E22C120	E22C130	E22C140	E22C150	E22C160	E22C170	E22C180
Mm	1000	1100	1200	1300	1400	1500	1600	1700	1800
A mini/maxi	975 / 1005	1075 / 1105	1175 / 1205	1275 / 1305	1375 / 1405	1475 / 1505	1575 / 1605	1675 / 1705	1775 / 1805
C	380	430	440	530	540	580	640	640	680
E	488	538	588	638	688	788	788	888	988



	E22C100	E22C110	E22C120	E22C130	E22C140	E22C150	E22C160	E22C170	E22C180
Mm	1000	1100	1200	1300	1400	1500	1600	1700	1800
B mini/maxi	965 / 985	1065 / 1085	1165 / 1185	1265 / 1285	1365 / 1385	1465 / 1485	1565 / 1585	1665 / 1685	1765 / 1785
F	360	410	420	510	520	560	620	620	660
E	488	538	588	638	688	788	788	888	988

Product Specification: Sliding door 120 cm. E22C120. Collection: CONTRA. DIMENSIONS: 195 x 120 cm. WEIGHT: 52 kg. MATERIAL: Clear glass. INSTALLATION TYPE: Alcove or corner. MIN/MAX WIDTH WITH SINGLE DOOR: 117.5 - 120.5. MIN/MAX WIDTH WITH FIXED PANEL: 116.5 - 118.5. OPENING: 44. GLASS THICKNESS IN MM: 8. PANEL HEIGHT IN CM: 195. WALL ADJUSTMENT IN MM: 18 mm. ENCLOSURE TYPE: Sliding door. INSTALLATION: Close Space. ANTI-SCALE TREATMENT: Yes. WATERTIGHT: Magnetic door close for better seal, no door sill.