

EASTON

EAKM13

Easton Vintage Two Hole Bridge Gooseneck Kitchen Faucet, White Porcelain Lever Handles



SHOWN IN EASTON VINTAGE TWO HOLE BRIDGE GOOSENECK KITCHEN FAUCET, WHITE PORCELAIN LEVER HANDLES

TECHNICAL DETAILS

ADA Compliance: Yes
 Adjustable versus Fixed Spray: Fixed Spray
 Deck Thickness Maximum: 1 1/4"
 Deck Thickness Minimum: 0"
 Fittings Hole Diameter: 1"
 Flow Restriction Options: 1.75, 1.5, 1.0
 Handle Spread Maximum: 7 7/8"
 Handle Spread Minimum: 7 7/8"
 Handle Turn Angle: Quarter Turn
 Depth / Width: 13 1/4"
 Height: 16"
 Inlet Connection Size: 1/2"
 Inlet Connection Type: Straight Male Threads
 Inlet Supply Spread Maximum: 10 7/8"
 Inlet Supply Spread Minimum: 4 7/8"
 Length: 13 1/2"
 Number of Holes: Two Hole
 Primary Material: Brass
 Restricted Maximum Flow Rate: 2.2 gpm
 Spray Included in Unit: N
 Suggested Application: Bar, Kitchen, Laundry
 Valve Material: Ceramic
 Water Pressure Maximum: 85.0 psi
 Water Pressure Minimum: 20.0 psi
 Water Pressure Recommended: 45.0 psi

INSPIRATION

Drawing on Edwardian style, Easton is the most extensive Waterworks family; a range of moods and a selection of products from fittings to furniture.

CODES & STANDARDS

Code # EAKM13: CEC

PRODUCT FEATURES

Brass metal is used for all trim and valve components

The manufacturing process encompasses casting, turning, forging, hand-fitting and hand polishing.

Easton is our most comprehensive fittings family.

Easton has a clean-lined utilitarian profile, with a slightly elongated spout.

Standard flow rate is 2.2gpm (8.3 L/min) and State of California requires a maximum of 1.8gpm(6.8 L/min). Also available in other flow options. Contact a sales associate for details.

CERTIFICATIONS



PRODUCT (NOTES)

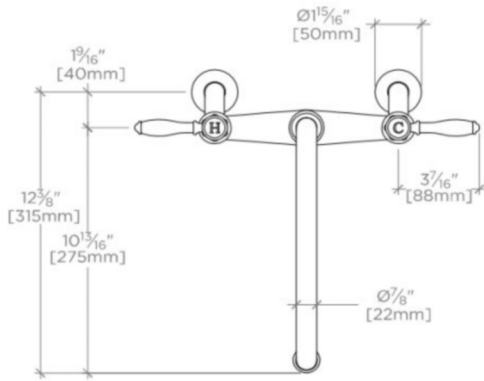
Spray sold separately

WATERWORKS

EASTON

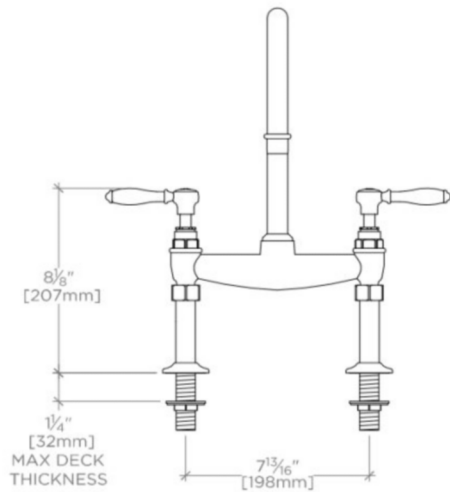
EAKM13

Easton Vintage Two Hole Bridge Gooseneck Kitchen Faucet, White Porcelain Lever Handles



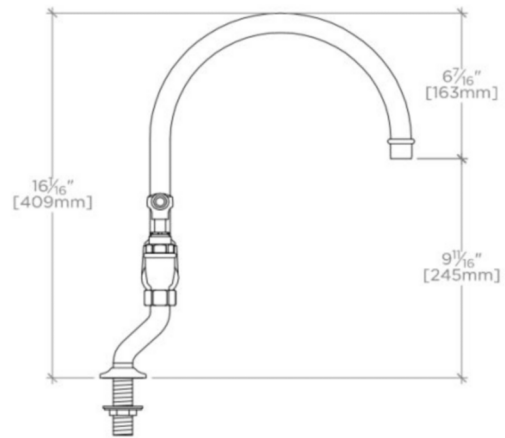
TOP VIEW

SCALE: $1\frac{1}{2}''=1'-0''$



FRONT VIEW

SCALE: $1\frac{1}{2}''=1'-0''$



SIDE VIEW

SCALE: $1\frac{1}{2}''=1'-0''$