


29 218 671

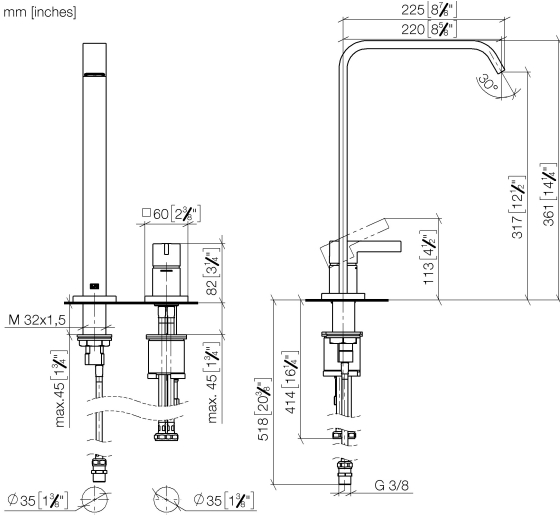


- 220mm projection
- fixed spout
- rectangular, air-enriched flow
- height of mixer 361 mm
- hole diameter spout 35 mm
- hole diameter valve 35 mm
- 1x screw-in M 10 x 1 pressure hose, leak-tested
- 2x screw-in M 10 x 1 pressure hose, leak-tested
- max. flow 4.6 l/min
- lead-free
- This product can help a building meet the requirements of Green Building Rating Systems, e.g. LEED®, BREEAM®, DGNB

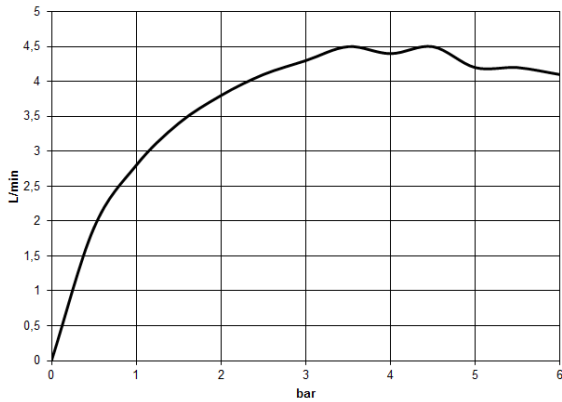
	Chrome	29 218 671-00
	Brushed Platinum	29 218 671-06
	Dark Chrome	29 218 671-19
	Brushed Light Gold	29 218 671-27
	Matte Black	29 218 671-33
	Brushed Chrome	29 218 671-93
	Brushed Dark Platinum	29 218 671-99

29 218 671

mm [inches]



Flow rate chart



Codes & Standards

DIN 4109

ISO 3822

Ü-Zeichen



IMO Two-hole basin mixer with high spout without pop-up waste - Chrome

IMO

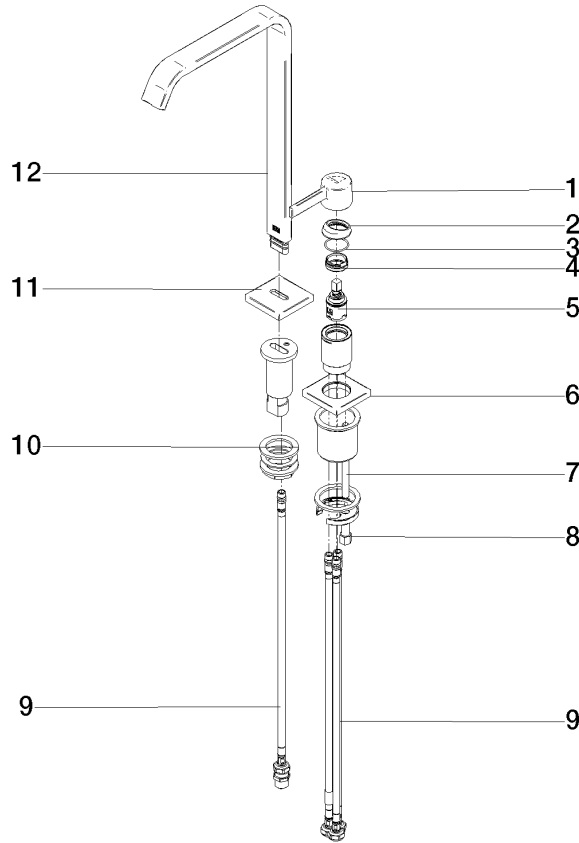
29 218 671

Certificates

LGA_38

29 218 671

Product version from 4/1/2024





IMO Two-hole basin mixer with high spout without pop-up waste - Chrome

IMO

29 218 671

Spare parts list

Product version from 4/1/2024

No.	Item Number	Name	Quantity used	Delivery time
	90 20 67 029 00-00	handle	15	-

Spare part can no longer be ordered, please order the replacement item