



Manufactured & Marketed by:  
SONAM CERAMICS



FUTURE  
BATHWARE  
TRENDS

MASTER COL. 19



# Features



Each product Radiates  
Glossiness and Whiteness.

---



Use of finest Raw materials -  
Purified, tested and Certified by R&D.

---



Use of advanced German technology  
With fully computerized Controlled shuttle kiln.

---



Use of eco - friendly Natural gas  
residues for better shine and luster.

---



Production Process according  
To ISI and ISO Standards.

---



High - tempered firing with  
Hygiene-friendly Production process.

---



Water - saving flushing system  
With 6/3 litre knobs.

---



Soft closing Seat cover.  
is a plus advantage

---



Anti Bacterial  
Glazed Product

---



Easy to clean  
& maintain Seat cover

---



# The Sanitaryware showcase

The Sanitary ware showcase of the Elite Collection presents the finest sanitary ware reserved exclusively for the elite crowd. These are closets, faucets, counter tops and basins that are adorned with class and sophistication and only those with taste would choose to splurge all over. The main ingredient of this collection is the richness of design that stands way above other contemporary offerings.



# FUTURISTIC

C O L L E C T I O N



With an adapted flavour retained by a distinct voice of creativity, the Elite Collection brings avant garde sanitary ware to the fore. Each of the elements are inspired by subtlety and staggering depth. The gentle nature of the suave collection can leave a lasting impression to your own bathrooms.



RIMLESS DESIGN

# TOILET BOWL WITHOUT AN EDGE

The rimless design is standard for all ELITE toilets. It means that the toilet bowls do not have any difficult-to-reach places in which dirt and bacteria can accumulate. This makes it possible to clean the toilet far more quickly, easily and thoroughly. SONCERA has produced rimless toilet bowls since 2002, and has already sold over eight million of them around the world.



TRADITIONAL DESIGN



SONCERA'S DESIGN



MORE HYGIENIC



MORE ECOLOGICAL

# THIN EDGE

Attractive THIN EDGE basin, it features elegant, fine edges that is only 5 mm in thickness. The outstanding elegance is made possible by the innovative material used by Soncera.



LIGHT WEIGHT



PERFECT SHAPING



# EASY TO CLEAN



Quick-release toilet seat allows a total cleaning.



More Silent



Soft Close





soncera  
TILES

soncera   
TILES | BATHWARE  
*Get inspired*

MASTER COL. 19

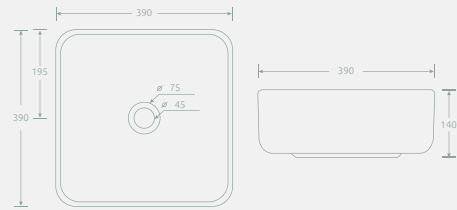
---

## Radiate *with its Slender Beauty*

Product : SOFI

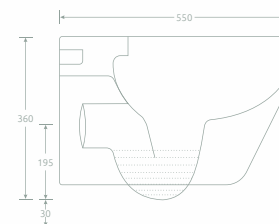
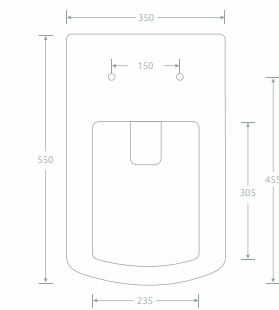
# SOFI

Table Top  
390 x 390 x 140mm



# AVIVA

Wall-hung  
550 x 350 x 360mm



MASTER COL. 19

**Diverse**  
*Diligent*  
*Practicality*

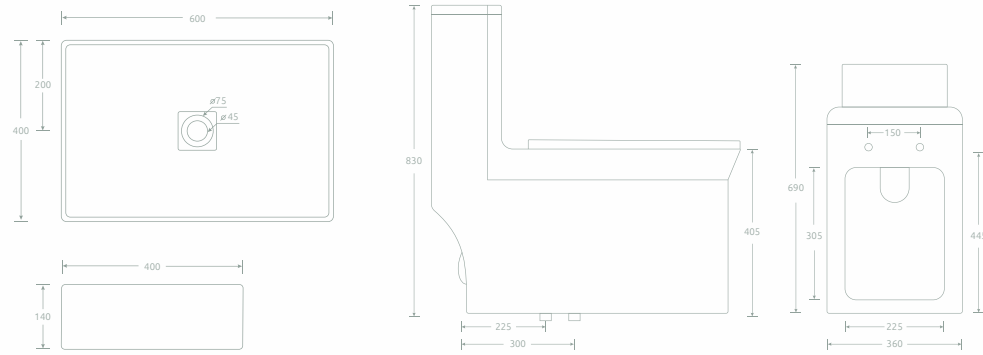
**soncera**   
TILES | BATHWARE  
*Get inspired*

Product : GEO



# GEO

Table Top  
600 x 400 x 140mm



# LOUIS



**Siphonic One Piece**  
690 x 360 x 830mm  
"S" Trap Distance 300mm



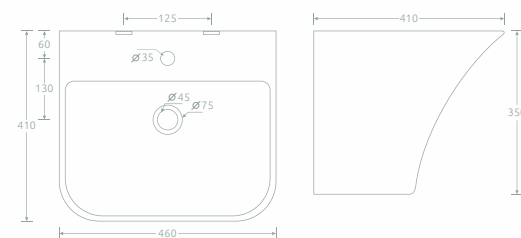
Beauty  
is not  
Enough

MASTER COL. 19



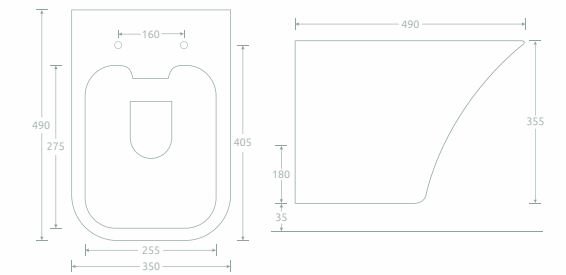
Product : SELGE

soncera   
TILES | BATHWARE  
*Get inspired*



## SELGE

Wall-Hung Basin  
460 x 410 x 350mm



## SELGE



Rimless Wall-Hung  
490 x 350 x 355mm





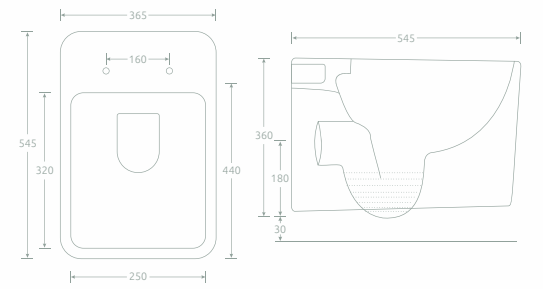
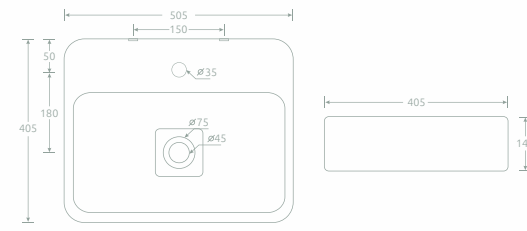
Glitz  
Glamour  
Undefined

MASTER COL. 19

Product : MILANO







MILANO

Table Top / Wall-hung  
505 x 405 x 140mm

MILANO

Rimless Wall-hung  
545 x 365 x 360mm



# Combined for Glory



Product : MINI



Product : MINI



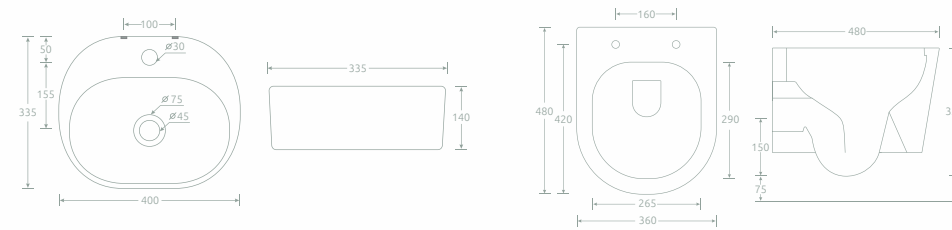
MINI

Wall-hung  
480 x 360 x 330mm



MINI

Table Top / Wall-hung  
400 x 335 x 140mm





Product : PANDORA

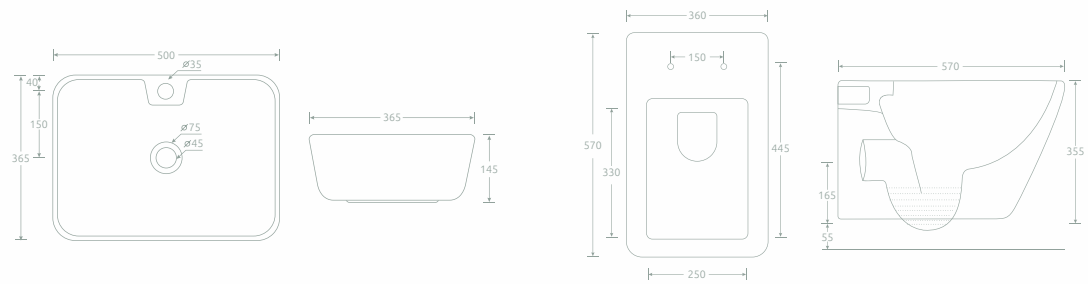
---

**Refined**  
*Redefined*  
*Style*

MASTER COL. 19



Product : SOFIA



## SOFIA With Tap Hole

Table Top  
500 x 365 x 145mm



## PANDORA

Rimless Wall-hung  
570 x 360 x 355mm





Product : RIVERSTOE

MASTER COL. 19

**Intriguing**  
*Inventive*  
*Design*



Product : RIVERSTOE

# RIVERSTOE

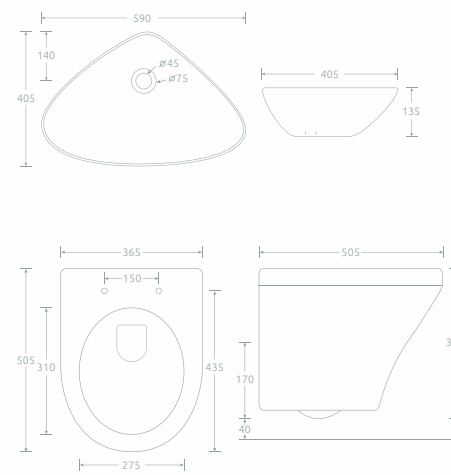
Table Top  
590 x 405 x 135mm



# RIVERSTOE



Wall-hung  
505 x 365 x 360mm



---

**Sensational**  
*Smart Offerings*



Product : SANITEE



Product : SANITEE



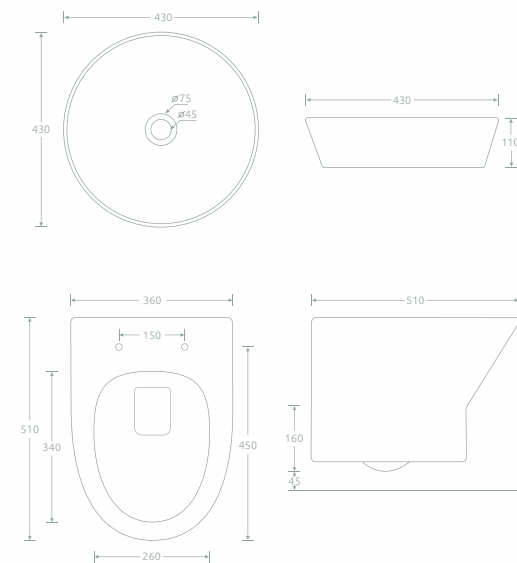
# SANITEE

Rimless Wall-hung  
510 x 360 x 360mm



# SANITEE

Table Top  
430 x 430 x 110mm





Product : SANCTUM

**Balanced**  
*Brilliant*  
*Setting*

MASTER COL. 19

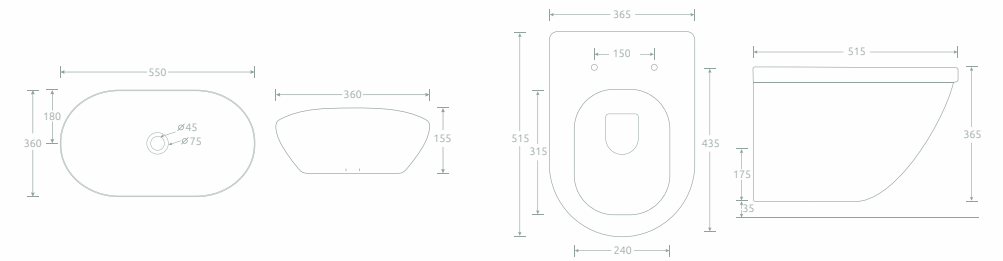


Product : SANCTUM



## SANCTUM

Table Top  
510 x 360 x 155mm



## SANCTUM

Wall-hung  
515 x 365 x 365mm



Organized  
Oval  
Ecstasy



Product : LUV

MASTER COL. 19

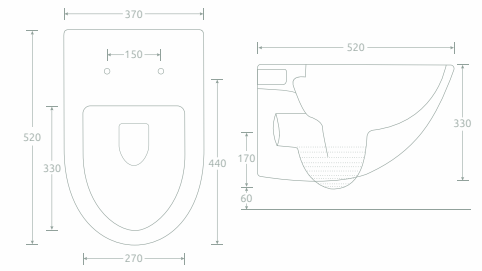
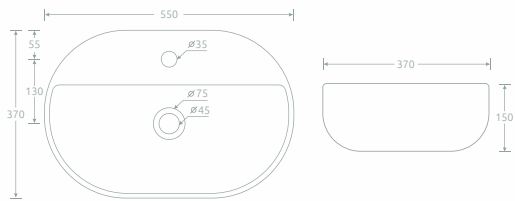


Product : SANTEC

soncera   
TILES | BATHWARE  
*Get inspired*

# LUV

Table Top  
550 x 370 x 150mm



# SANTEC

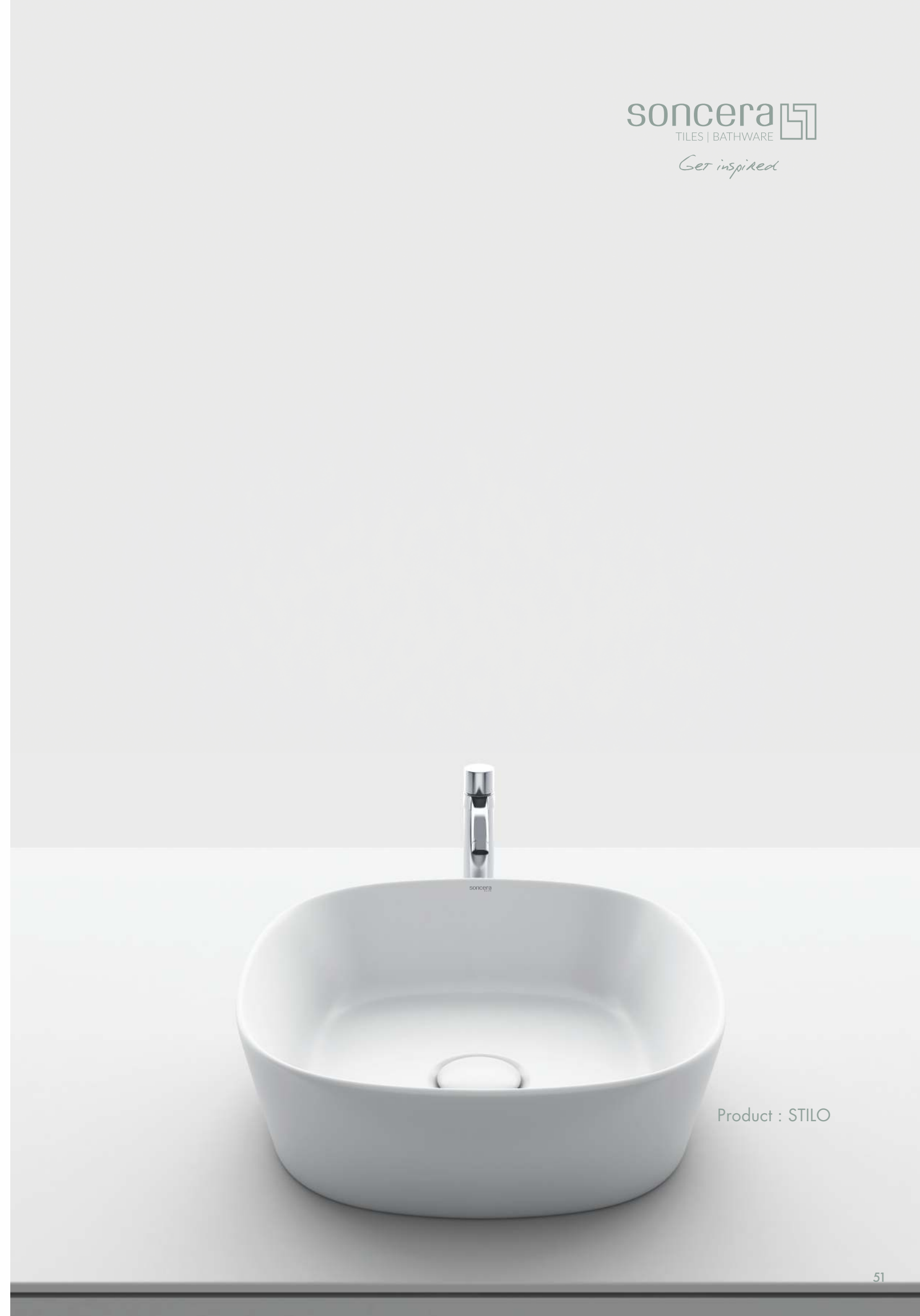
Rimless Wall-hung  
520 x 370 x 330mm



Impeccable  
Intrinsic  
Charm

soncera   
TILES | BATHWARE  
*Get inspired*

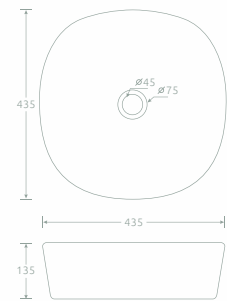
MASTER COL. 19



Product : STILO

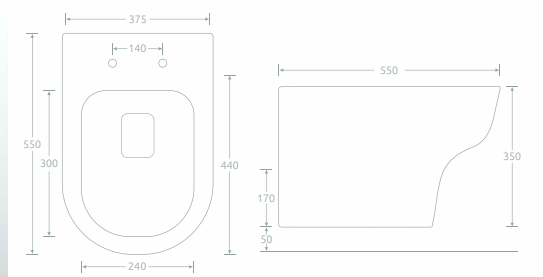
# STILO

Table Top  
435 x 435 x 135mm



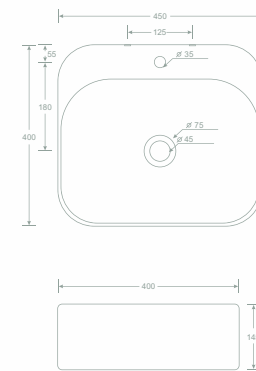
# STILO

Wall-hung  
550 x 375 x 350mm





# Majestic Mesmerizing Grandeur



TULI

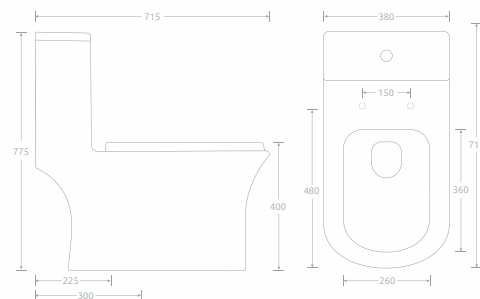
Table Top / Wall-hung  
450 x 400 x 145mm





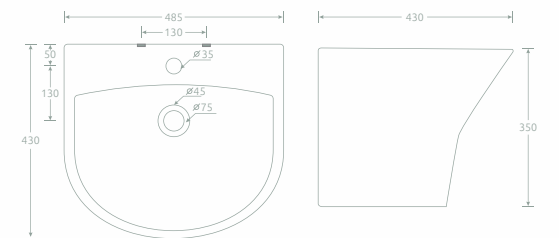
## LEIRE

Wall-hung Basin  
485 x 430 x 350mm



## OPAL

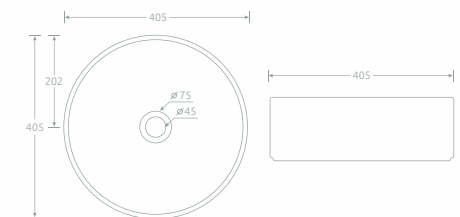
Rimless with Siphonic One Piece  
715 x 380 x 775mm  
"S" Trap Wall Distance 225mm & 300mm



Luxury  
Leveraged  
Evenly



- 01 Glossy White / Ivory
- 02 Glossy Black
- 03 Matt Beige
- 04 Matt Black



MASTER COL. 19

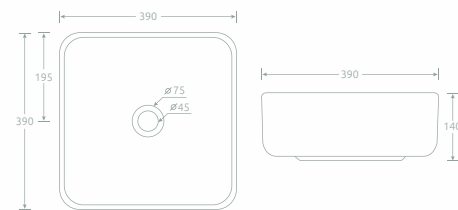
soncera   
TILES | BATHWARE  
*Get inspired*

SLIK

Table Top  
405 x 405 x 140mm



- 01 Glossy White / Ivory
- 02 Matt Beige
- 03 Two Tone Glossy
- 04 Matt Black

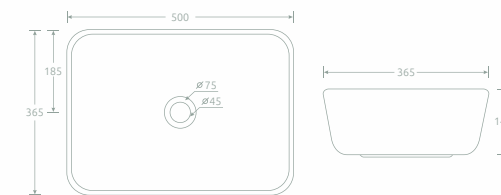


## SOFI

Table Top  
390 x 390 x 140mm



- 01 Glossy White / Ivory
- 02 Matt Beige
- 03 Two Tone Glossy
- 04 Matt Black



## SOFIA

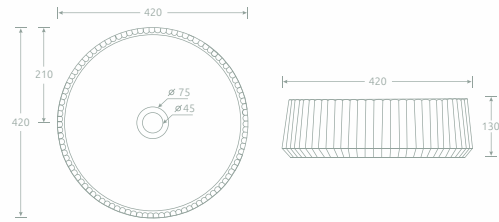
Table Top  
500 x 365 x 145mm

# ROMA

Table Top Bowl  
420 x 420 x 130mm



Two Tone Glossy

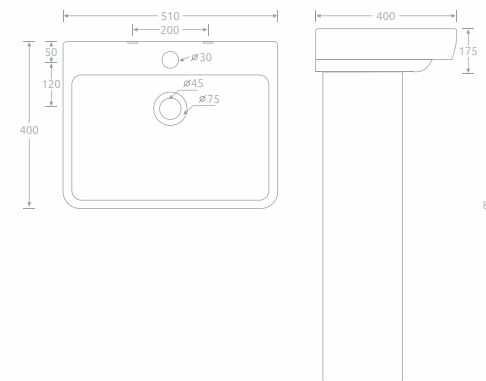
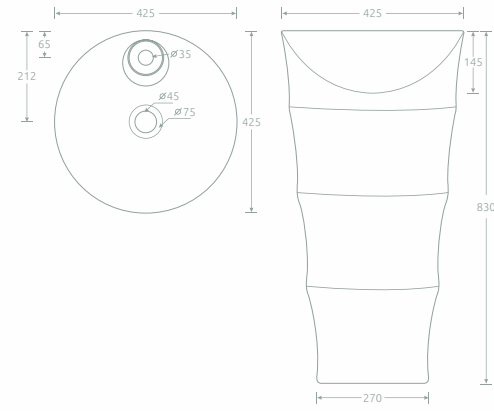


Glossy White / Ivory

Creating  
A Higher  
Standard

# GLOBO

Free Stand Wash Basin  
425 x 425 x 830mm



# NILE PLUS

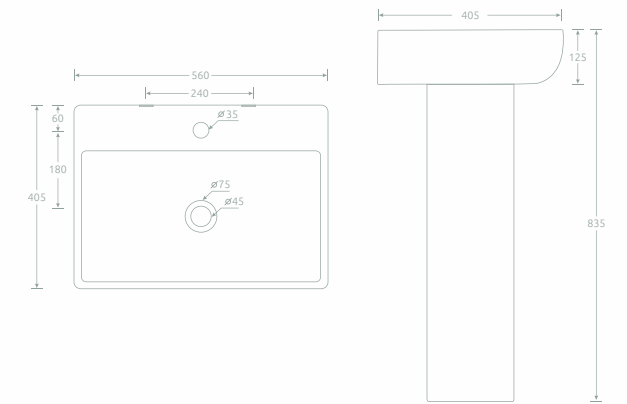
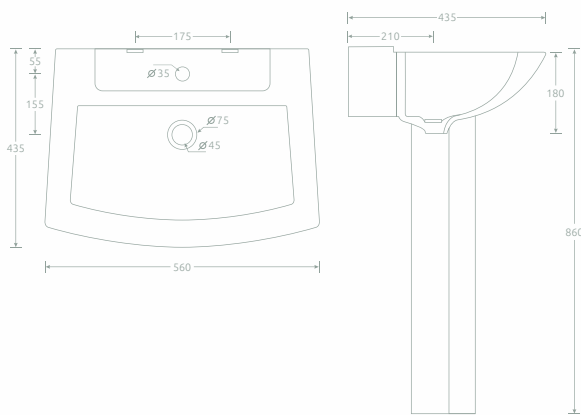
Full Pedestal Basin  
505 x 400 x 860mm



## STREET

Wall-hung  
560 x 435 x 180mm

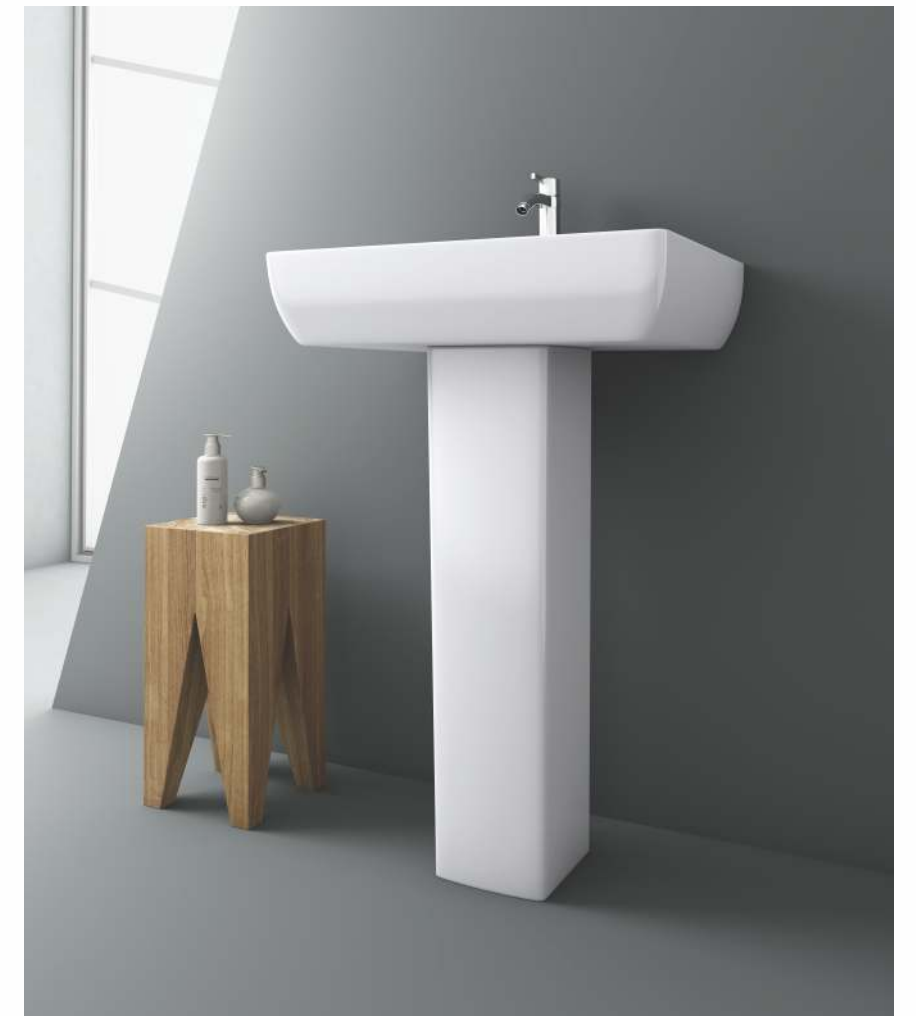
Full Pedestal Basin  
560 x 435 x 860mm



## DOYLE

Table Top / Wall-hung  
560 x 405 x 125mm

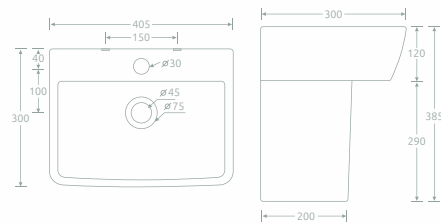
Full Pedestal Basin  
560 x 405 x 835mm



## NEVILLE

Table Top / Wall-hung  
405 x 300 x 120mm

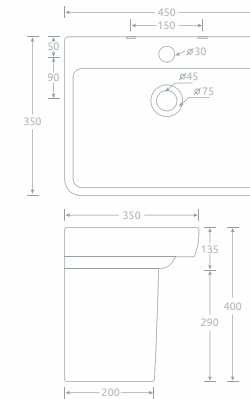
Half Pedestal Basin  
405 x 300 x 385mm



## NILE

Wall-hung  
450 x 350 x 135mm

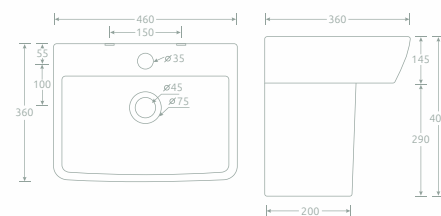
Half Pedestal Basin  
450 x 350 x 400mm



## KYLIS

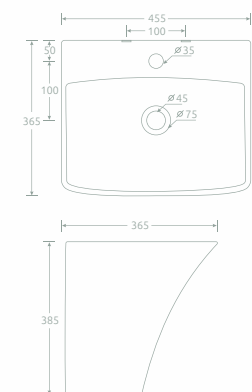
Table Top / Wall-hung  
460 x 360 x 145mm

Half Pedestal Basin  
460 x 360 x 400mm

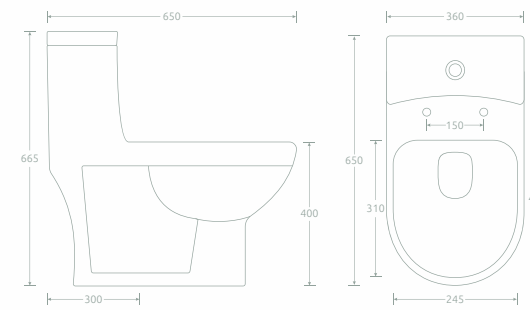


## TREND

Wall-hung  
455 x 365 x 385mm







MID

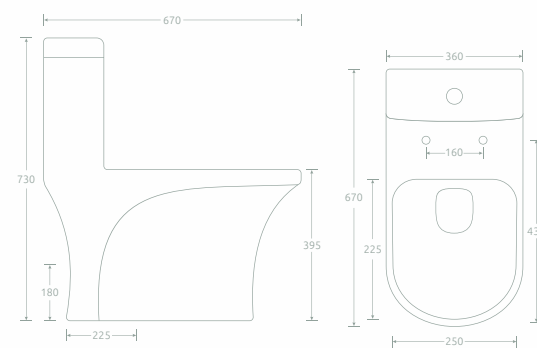


**Siphonic One Piece**  
 650 x 360 x 665mm  
 "S" Trap Wall Distance 300mm

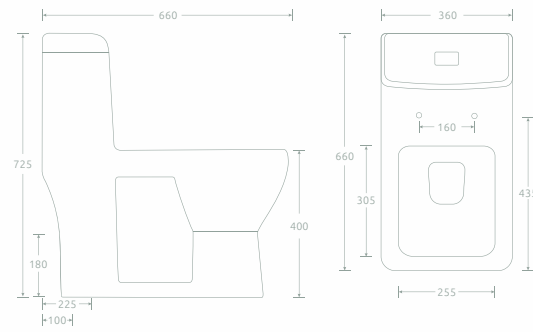
SPACE



**One Piece**  
 670 x 360 x 730mm  
 "S" Trap Wall Distance 225mm  
 "P" Trap Wall Distance 180mm



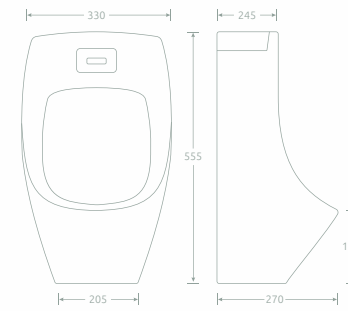




## ALEX



One Piece  
660 x 360 x 725mm  
"S" Trap Wall Distance 100mm&225mm  
"P" Trap Wall Distance 180mm



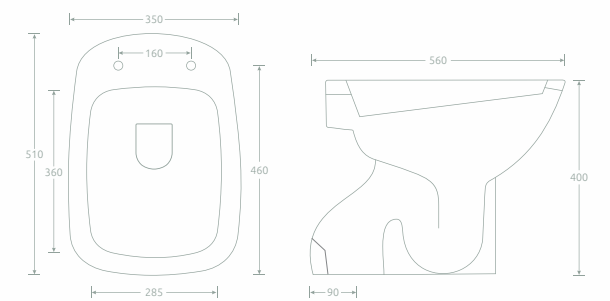
## KYLIS

Urinal  
270 x 330 x 555mm



## FLUID

Floor Mounted EWC  
560 x 350 x 400mm



MASTER COL. 19

**Diverse**  
*Diligent*  
*Practicality*

Product : FOR SQUARE



CLEAN, CLEAR AND CONCISE,



THAT'S WHAT IS DELIVERED!



MINI FORSQUARE

## FORSQUARE

Basin With Pedestal  
620 x 440 x 835mm

Concealed Wall-Hung  
600 x 370 x 350mm

Mini Concealed Wall-Hung  
510 x 370 x 350mm



Basin with Pedestal  
560 x 445 x 845mm

Concealed Wall-hung  
560 x 360 x 355mm

Basin with Half Pedestal  
560 x 445 x 520mm

"THE PRISTINE  
FEEL OF ELEGANCE  
SEEMS TRANQUIL TO THOSE  
WHO EXPERIENCE IT!"



REVO





"SOBRIETY IN DESIGN ADDS IDENTITY TO CLASS"

BEETLE

BEETLE

One Piece Closet  
655 x 350 x 740mm

Wall Mounted Couple Closet  
660 x 350 x 760mm

Concealed Wall-hung  
535 x 345 x 360mm

Basin Tabletop  
600 x 400 x 105mm





LUMINA

Basin Wall Mounted  
550 x 480 x 145mm

Basin with Half Pedestal  
550 x 480 x 490mm

Wall Mounted Couple Closet  
645 x 355 x 745mm

Basin with Pedestal  
580 x 480 x 830mm



LUMINA

Basin Tabletop / Wall Mounted  
410 x 410 x 130mm

Concealed Wall-hung  
490 x 355 x 345mm



"ETERNAL LIFE IS BLESSED TO THOSE WHO  
PONDER ON INTRICATE EXQUISITENESS"





Basin Tabletop  
600 x 360 x 100mm

Concealed Wall-hung  
540 x 360 x 350mm



VERO

"BLENDING ART WITH SUBLIMITY  
AND STYLE IS LIFE AT ITS FINEST!"



AMAZONE



Mini Amazone  
Concealed Wall-hung  
505 x 360 x 365mm



Origio  
Basin Tabletop  
460 x 460 x 150mm



Amazone  
Concealed Wall-hung  
545 x 360 x 370mm







Floor Mounted Couple Closet  
"P" & "S" Trap  
710 x 350 x 795mm

ITALIA



"A CALM ATMOSPHERE WITH AN UNTAINTED  
CORE CAN PLAY THE LILTING TUNES OF LIFE!"

Basin with Pedestal  
585 x 465 x 935mm



Floor Mounted Couple Closet "S" Trap  
685 x 365 x 810mm



Wall Mounted Couple Closet  
670 x 370 x 755mm



PREMIUM



---

JAZZ

"EVIDENTLY, CONFIDENCE IS NATURAL WHEN  
A SPIRIT IS SURE OF ITS OWN SANCTITY!"



Basin with Pedestal  
590 x 470 x 880mm



---

EPIC

Basin with Pedestal  
570 x 450 x 850mm

---

SINTRA



Basin with Pedestal  
555 x 450 x 950mm

---

## LORALE

Basin with Pedestal  
560 x 450 x 860mm

Basin with Half Pedestal  
560 x 450 x 440mm



---

## CONCORD

Basin with Pedestal  
600 x 480 x 860mm



---

## OLIVER

Basin with Pedestal  
555 x 415 x 840mm



---

## CRYSTAL

Basin with Pedestal  
500 x 410 x 830mm



---

EUROPA



Basin with Pedestal  
560 x 430 x 865mm

---

STRAPI



Basin with Pedestal  
560 x 440 x 880mm

---

FLORAL



Basin with Pedestal  
510 x 420 x 880mm

---

KUBIX

Concealed Wall Mounted Basin  
485 x 430 x 385mm







---

## GOLDY

Basin Platform  
770 x 520 x 225mm

"THE PLETHORA OF PLATFORM BASINS BRING HARMONY  
IN SOPHISTICATION WITH ITS GRAND ATTITUDE"

---

## SLEEK

Basin Platform  
590 x 410 x 150mm



---

## ESPACE

Basin Platform  
770 x 435 x 170mm



Basin Counter Top  
555 x 400 x 160mm

---

## PLAZMA

---

## TOPAZ

Basin Tabletop / Wall Mounted  
475 x 370 x 130mm



---

## CUBOID

Basin Wall Mounted / Tabletop  
460 x 400 x 145mm

---

## FERN



Basin Tabletop  
600 x 380 x 185mm



"MARVELLOUSNESS NEVER EXPRESSES ITSELF IN SPADES, IT STARTS WITH THE NITTY-GRITTY OF THINGS"



---

## ORBIS

Basin Tabletop  
420 x 320 x 100mm

---

## CRUSIAL



Basin Tabletop  
420 x 320 x 100mm

"THE WORLD CAN EMBRACE ELEGANCE WITH SUPREME SATISFACTION"



---

## QUADRA

Basin Tabletop  
410 x 360 x 120mm

---

## CUBE



Basin Wall Mounted / Tabletop  
410 x 330 x 130mm



CLAIR

Basin Tabletop / Wall Mounted  
450 x 300 x 105mm



SAFRY

Basin Tabletop / Wall Mounted  
450 x 300 x 130mm



ORIGIO

Basin Tabletop  
460 x 460 x 150mm

EXANZA

Basin Tabletop with Stand  
505 x 370 x 180mm



---

## ORIO

Basin Under Counter  
665 x 360 x 105mm

"INNOVATION MAKES SURE THAT A VISION  
IS REALIZED AND DREAMS COME TRUE"



---

## OPTRA

Basin Under Counter  
560 x 385 x 215mm



---

## RADIUS

Basin Under Counter  
510 x 405 x 200mm

---

## SAFFRONY

Basin Counter Top  
595 x 420 x 215mm





---

## NIGEL

Basin Wall Mounted  
400 x 310 x 140mm



---

## SHARP

Basin Wall Mounted  
450 x 330 x 180mm



---

## NORRIS

Basin Wall Mounted  
440 x 340 x 185mm



---

## OVALIA



Basin Wall Mounted  
505 x 425 x 160mm

---

## CLASS

Basin Wall Mounted  
450 x 300 x 190mm





---

## NOEL

Basin Wall Mounted  
375 x 265 x 160mm



---

## GRAMY

Basin Wall Mounted  
415 x 415 x 205mm



---

## MINT

Basin Wall Mounted  
460 x 230 x 165mm



---

## PRISTY

Basin Wall Mounted  
495 x 285 x 120mm



---

## TRENZ

Basin Wall Mounted  
350 x 350 x 140mm



---

## SPLASH

Basin Wall Mounted  
510 x 300 x 165mm



## TERRA



One Piece Closet  
660 x 360 x 760mm  
"S" Trap Distance 225mm

## PALESTINE



One Piece Closet  
670 x 360 x 750mm  
"S" Trap Distance 225mm  
"P" Trap Distance 180mm



## VICTORIA



One Piece Closet  
685 x 365 x 675mm  
"S" Trap Distance 225mm & 290mm  
"P" Trap Distance 180mm

## NEON



Siphonic One Piece Closet  
675 x 355 x 730mm  
"S" Trap Distance 225mm & 300mm

## LIBIA



One Piece Closet  
715 x 385 x 760mm  
"S" Trap Distance 225mm  
"P" Trap Distance 180mm



## SPANIA



One Piece Closet  
715 x 370 x 660mm  
"S" Trap Distance 225mm & 300mm



## NATALIA



Rimless with Siphonic One Piece Closet  
675 x 390 x 790mm  
"S" Trap Distance 225mm & 300mm

## EVA



One Piece Closet  
715 x 405 x 685mm  
"S" Trap Distance 225mm  
"P" Trap Distance 180mm

## CLAIR



One Piece Closet  
700 x 350 x 690mm  
"S" Trap Distance 100mm & 225mm  
"P" Trap Distance 180mm

## BEETLE



One Piece Closet  
655 x 350 x 740mm  
"S" Trap Distance 100mm & 225mm  
"P" Trap Distance 180mm







"THIS BRILLIANT COMBINATION CLEARS UP SPACE SO THAT YOU REVEL IN LUXURY"

### FOURSQUARE



Concealed Wall-hung  
600 x 370 x 350mm

### MINI FOURSQUARE



Concealed Wall-hung  
510 x 370 x 350mm

### BEEBLE



Concealed Wall-hung  
535 x 345 x 360mm

### MINI BEEBLE



Concealed Wall-hung  
500 x 350 x 360mm

### MERIDIAN



Concealed Wall-hung  
545 x 360 x 350mm

### REVO



Concealed Wall-hung  
560 x 360 x 355mm

### LUMINA



Concealed Wall-hung  
490 x 355 x 345mm

### VERO



Concealed Wall-hung  
540 x 360 x 350mm



CANDIDA



Concealed Wall-hung  
560 x 365 x 400mm

ENIGMA



Concealed Wall-hung  
520 x 375 x 385mm

ITALIA



Floor Mounted Couple Closet "P" & "S" Trap  
710 x 350 x 795mm

PREMIUM



Floor Mounted Couple Closet "S" Trap  
685 x 365 x 815mm

MINI AMAZONE



Concealed Wall-hung  
505 x 360 x 365mm

AMAZONE



Concealed Wall-hung  
545 x 360 x 370mm



JET

CT PAN



Pan 20"  
510 x 410 x 150mm

SIMI



Concealed Wall-hung  
470 x 355 x 330mm

PRIMA



Concealed Wall-hung  
540 x 380 x 385mm

COMFORT 23"



Pan 23"  
580 x 440 x 300mm

COMFORT 20"



Pan 20"  
510 x 410 x 235mm

---

## LUMINA



Wall Mounted Couple Closet  
645 x 355 x 745mm

---

## BEETLE



Wall Mounted Couple Closet  
660 x 350 x 760mm

---

## PREMIUM



Wall Mounted Couple Closet  
670 x 370 x 755mm

---

## OZONE



Concealed EWC "S" Trap  
570 x 365 x 405mm

---

## BEETLE



Rimless Concealed EWC "P" & "S" Trap  
545 x 355 x 400mm

---

## EUROPIE



EWC "P" & "S" Trap  
510 x 350 x 400mm

---

## ANGLO



EWC "P" & "S" Trap  
560 x 445 x 395mm

---

## PREMIUM



EWC "S" Trap  
560 x 355 x 410mm

---

PLASTIC CISTERN



Plastic Cistern  
325 x 135 x 440mm

---

SINGLE FLUSH



Cistern Single Flush  
325 x 135 x 440mm

---

DUAL FLUSH



Cistern Dual Flush  
325 x 135 x 440mm

Concealed Cistern  
460 x 95 x 510mm



---

CONCEALED CISTERN

Concealed Cistern  
460 x 95 x 510mm



---

CONCEALED CISTERN



EVAN



Urinal  
300 x 325 x 645mm



ELIAS



Urinal  
300 x 345 x 700mm

ALFA



Urinal  
370 x 390 x 590mm

COMFORT



Urinal  
280 x 305 x 390mm

SINDY



Urinal  
350 x 390 x 600mm



TECHNICAL  
DRAWINGS

**Foursquare** basin with pedestal pg. 77

**installation**  
basin: standard 9" or 12" brackets and G.I. rag bolt, also use as wallhung basin or half tabletop.  
pedestal: screwed to floor.  
tap: 1 tap hole.

**Foursquare** concealed wallhung pg. 77

'P' trap available.  
**installation**  
ewc: fitting with cast iron chair brackets and G.I. rag bolt. matching polypropylene Hydraulic seat cover.

**Lumina** basin with pedestal pg. 82

**installation**  
basin: standard 9" brackets and G.I. rag bolt or also use as table top.  
pedestal: screwed to floor.  
tap: 1 tap hole.

**Lumina** table top pg. 83

**installation**  
basin: fixed to wall with standard 6" brackets and G.I. rag bolt or also use as table top.  
tap: 1 tap hole.

**Lumina** concealed wallhung pg. 83

'P' trap available.  
**installation**  
ewc: fitting with cast iron chair brackets and G.I. rag bolt.  
matching polypropylene seat cover.

**Revo** basin with pedestal pg. 78

**installation**  
basin: standard 6" or 9" brackets and G.I. rag bolt.  
pedestal: screwed to floor.  
tap: 1 tap hole.

**Revo** basin with half pedestal pg. 78

**installation**  
basin: standard 6" or 9" brackets and G.I. rag bolt.  
pedestal: screwed to wall.  
tap: 1 tap hole.

**Revo** concealed wallhung pg. 78

'P' trap available.  
**installation**  
ewc: fitting with cast iron chair brackets and G.I. rag bolt.  
matching polypropylene seat cover.

**Vero** basin tabletop pg. 84

**installation**  
basin: table top.  
tap: no tap hole.

**Vero** concealed wallhung pg. 84

'P' trap available.  
**installation ewc:**  
fitting with cast iron chair brackets and G.I. rag bolt. matching polypropylene Hydraulic seat cover.

**Mini Amazone** concealed wallhung pg. 85

'P' trap available.  
**installation**  
ewc: fitting with cast iron chair brackets and G.I. rag bolt. matching polypropylene Hydraulic seat cover.

**Beetle** one piece closet pg. 81

'S' or 'P' trap available.  
**installation**  
cistern: dual flush (6/3 lit.)  
ewc: screwed to floor.  
'S' trap dist. 9" or 4" from wall. 'P' trap dist. 7.5" from floor matching polypropylene Hydraulic seat cover.

**Beetle** floor mounted couple closet pg. 81

'P' trap available.  
**installation**  
cistern: dual flush (6/3 lit.)  
ewc: fitting with cast iron chair brackets and G.I. rag bolt. matching polypropylene Hydraulic seat cover.

**Beetle** concealed wallhung pg. 81

'P' trap available.  
**installation**  
ewc: fitting with cast iron chair brackets and G.I. rag bolt. matching polypropylene Hydraulic seat cover.

**Amazone** concealed wallhung pg. 85

'P' trap available.  
**installation**  
ewc: fitting with cast iron chair brackets and G.I. rag bolt. matching polypropylene Hydraulic seat cover.

**Origio** table top pg. 85

**installation**  
basin: table top.  
tap: 1 tap hole.

**Italia** floor mounted couple closet pg. 86

'P' or 'S' (with conversion bend) trap available.  
**installation**  
cistern: dual flush (6/3 ltr.)  
ewc: screwed to floor.  
'P' trap dist. 8" from floor  
'S' trap dist 4" to 9" from wall.  
matching polypropylene Hydraulic seat cover.

**Beetle** basin tabletop pg. 81

**installation**  
basin: table top.  
tap: 1 tap hole.

**Lumina** basin with half pedestal pg. 82

**installation**  
basin: standard 9" brackets and G.I. rag bolt or also use as table top.  
pedestal: screwed to wall.  
tap: 1 tap hole.

**Lumina** wall mounted couple closet pg. 82

'P' trap available.  
**installation**  
cistern: dual flushing (6/3 lit.)  
ewc: fitting with cast iron chair brackets and G.I. rag bolt.  
matching polypropylene Hydraulic seat cover.

**Premium** basin with pedestal pg. 87

**installation**  
basin: standard 6" or 9" brackets and G.I. rag bolt.  
pedestal: screwed to floor.  
tap: 1 tap hole.

**Premium** floor mounted couple closet pg. 87

'S' trap available.  
**installation**  
cistern: dual flush (6/3 lit.)  
ewc: screwed to floor.  
'S' trap dist. 4" from wall.  
matching polypropylene seat cover.

**Premium** wall mounted couple closet pg. 87

'P' trap available.  
**installation**  
cistern: dual flush (6/3 lit.)  
ewc: fitting with cast iron chair brackets and G.I. rag bolt.  
matching polypropylene seat cover.



**Jazz** basin with pedestal pg. 88

**installation**  
 basin: Standard G.I. rag bolt.  
 pedestal: screwed to floor.  
 tap: 1 tap hole.

**Epic** basin with pedestal pg. 89

**installation**  
 basin: standard 9" brackets and G.I. rag bolt.  
 pedestal: screwed to floor.  
 tap: 1 tap hole.

**Sintra** basin with pedestal pg. 89

**installation**  
 basin: standard 5" brackets and G.I. rag bolt.  
 pedestal: screwed to floor.  
 tap: 1 tap hole.

**Goldy** platform basin pg. 94

**installation**  
 basin: fixed to wall with standard 6" or 12" brackets and G.I. rag bolt.  
 tap: 1 tap hole.

**Sleek** platform basin pg. 94

**installation**  
 basin: fixed to wall with standard 6" or 9" brackets and G.I. rag bolt or also use as counter top.  
 tap: 1 tap hole.

**Espace** basin platform pg. 95

**installation**  
 basin: fixed to wall with standard 6" or 9" brackets and G.I. rag bolt.  
 tap: 1 tap hole.

**Lorale** basin with pedestal pg. 90

**installation**  
 basin: standard 6" or 9" brackets and G.I. rag bolt.  
 pedestal: screwed to floor.  
 tap: 1 tap hole.

**Lorale** basin with half pedestal pg. 90

**installation**  
 basin: standard 6" or 9" brackets and G.I. rag bolt.  
 pedestal: screwed to wall.  
 tap: 1 tap hole.

**Concord** basin with pedestal pg. 90

**installation**  
 basin: Standard G.I. rag bolt.  
 pedestal: screwed to floor.  
 tap: 1 tap hole.

**Plazma** counter top pg. 95

**installation**  
 basin: counter top.  
 tap: 1 tap hole.

**Topaz** basin tabletop pg. 96

**installation**  
 basin: table top.  
 tap: 1 tap hole.

**Cuboid** wall mounted basin pg. 96

**installation**  
 basin: fixed to wall with standard 9" brackets and G.I. rag bolt or also use as table top.  
 tap: 1 tap hole.

**Oliver** basin with pedestal pg. 91

**installation**  
 basin: standard G.I. rag bolt.  
 pedestal: screwed to floor.  
 tap: 1 tap hole.

**Crystal** basin with pedestal pg. 91

**installation**  
 basin: standard 6" brackets and G.I. rag bolt.  
 pedestal: screwed to floor.  
 tap: 1 tap hole.

**Strapi** basin with pedestal pg. 92

**installation**  
 basin: standard 6" or 9" brackets and G.I. rag bolt.  
 pedestal: screwed to floor.  
 tap: 1 tap hole.

**Fern** basin tabletop pg. 97

**installation**  
 basin: table top.  
 tap: no tap hole.

**Orbis** basin tabletop pg. 98

**installation**  
 basin: table top.  
 tap: no tap hole.

**Quadra** table top pg. 98

**installation**  
 basin: table top.  
 tap: no tap hole.

**Europa** basin with pedestal pg. 92

**installation**  
 basin: standard 6" brackets and G.I. rag bolt.  
 pedestal: screwed to floor.  
 tap: 1 tap hole.

**Floral** basin with pedestal pg. 92

**installation**  
 basin: standard 6" or 8" brackets and G.I. rag bolt.  
 pedestal: screwed to floor.  
 tap: 1 tap hole.

**Kubix** concealed wall mounted basin pg. 93

**installation**  
 basin: fixed to wall with standard 9" brackets and G.I. rag bolt.  
 tap: 1 tap hole.

**Crusial** table top pg. 99

**installation**  
 basin: table top.  
 tap: no tap hole.

**Cube** wall mounted basin pg. 99

**installation**  
 basin: fixed to wall with standard 9" brackets and G.I. rag bolt or also use as table top.  
 tap: 1 tap hole.

**Clair** basin tabletop pg. 100

**installation**  
 basin: fixed to wall with standard 9" brackets and G.I. rag bolt or also use as table top.  
 tap: 1 tap hole.



**Safry table top** pg. 100

**installation**  
basin: fixed to wall with standard G.I. rag bolt or also use as table top. tap: 1 tap hole.

**Exanza table top** pg. 101

**installation**  
basin: on exanza stand or also use as table top. stand: fixed to the wall with standard 6" brackets and G.I. rag bolt. tap: 1 tap hole.

**Orio basin under counter** pg. 102

**installation**  
basin: under counter. tap: no tap hole.

**Optra under counter** pg. 103

**installation**  
basin: under counter. tap: no tap hole.

**Radius under counter** pg. 103

**installation**  
basin: under counter. tap: no tap hole.

**Saffrony counter top** pg. 103

**installation**  
basin: counter top. tap: 1 tap hole.

**Nigel wall mounted basin** pg. 104

**installation**  
basin: fixing to wall with standard 6" brackets and G.I. rag bolt. tap: 1 tap hole.

**Ovalia basin with pedestal** pg. 104

**installation**  
basin: standard 6" brackets and G.I. rag bolt, also use as wallhung basin pedestal: screwed to floor. tap: 1 tap hole.

**Sharp wall mounted basin** pg. 105

**installation**  
basin: fixing to wall with standard 6" brackets and G.I. rag bolt. tap: 1 tap hole.

**Norris wall mounted basin** pg. 105

**installation**  
basin: fixing to wall with standard 6" brackets and G.I. rag bolt. tap: 1 tap hole.

**Class wall mounted basin** pg. 105

**installation**  
basin: fixing to wall with standard 6" brackets and G.I. rag bolt. tap: 1 tap hole.

**Noel wall mounted basin** pg. 106

**installation**  
basin: fixing to wall with standard 6" brackets and G.I. rag bolt. tap: 2 side semi punch.

**Gramy wall mounted basin** pg. 106

**installation**  
basin: fixed to corner side wall with standard brass screw. tap: 1 tap hole.

**Mint wall mounted basin** pg. 106

**installation**  
basin: fixed to wall with standard 5" brackets and brass screw. tap: 1 tap hole.

**Pristy wall mounted basin** pg. 107

**installation**  
basin: fixed to wall with Standard G.I. rag bolt. and also use as table top tap: 1 tap hole.

**Trenz wall mounted basin** pg. 107

**installation**  
basin: fixed to corner side wall with standard G.I. rag bolt. tap: 1 tap hole.

**Splash wall mounted basin** pg. 107

**installation**  
basin: fixed to wall with standard 6" brackets and G.I. rag bolt. tap: 1 tap hole.

**Terra one piece closet** pg. 108

**installation**  
'S' trap available. installation cistern: dual flush (6/3 lit.) ewc: screwed to floor. 'S' trap dist 12" from wall. matching polypropylene Hydraulic seat cover.

**Palestine one piece closet** pg. 06

**installation**  
'S' or 'P' trap available. installation cistern: dual flush (6/3 lit.) ewc: screwed to floor. 'S' trap dist. 9" from wall. 'P' trap dist. 7" from floor. matching polypropylene Hydraulic seat cover.

**Victoria one piece closet** pg. 06

**installation**  
'S' or 'P' trap available. installation cistern: dual flush (6/3 lit.) ewc: screwed to floor. 'S' trap dist 9" or 11.5" from wall. 'P' trap dist 7" from floor. matching polypropylene Hydraulic seat cover.

**Neon one piece closet** pg. 06

**installation**  
'S' or 'P' trap available. installation cistern: dual flush (6/3 lit.) ewc: screwed to floor. 'S' trap dist. 9" or 12" from wall. 'P' trap dist. 7.5" from floor. matching polypropylene Hydraulic seat cover.

**Libia one piece closet** pg. 06

**installation**  
'S' or 'P' trap available. installation cistern: dual flush (6/3 lit.) ewc: screwed to floor. 'S' trap dist. 9" from wall. 'P' trap dist. 7" from floor. matching polypropylene Hydraulic seat cover.

**Natalia one piece closet** pg. 06

**installation**  
'S' trap available. installation cistern: dual flush (6/3 lit.) ewc: screwed to floor. 'S' trap dist. 12" from wall. matching polypropylene Hydraulic seat cover.

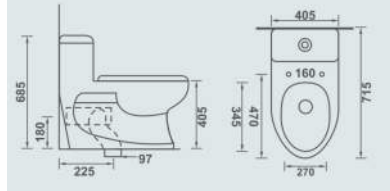
**Spania one piece closet** pg. 06

**installation**  
'S' trap available. installation cistern: dual flush (6/3 lit.) ewc: screwed to floor. 'S' trap dist 9" or 12" from wall. matching polypropylene Hydraulic seat cover.



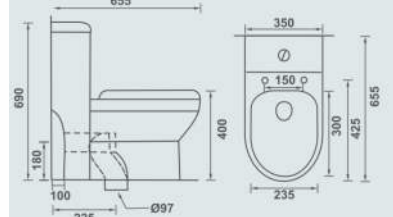
**Eva** one piece closet pg. 109

'P' or 'S' trap available.  
**installation**  
cistern: dual flush (6/3 lit.)  
ewc: screwed to floor.  
S trap dist. 9" from wall  
P trap dist. 7" from floor  
matching polypropylene  
Hydraulic seat cover.



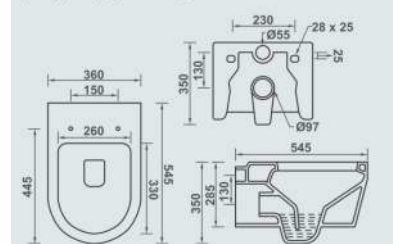
**Clair** one piece closet pg. 109

'S' or 'P' available.  
**installation**  
cistern: dual flush (6/3 lit.)  
ewc: screwed to floor.  
'S' trap dist. 4" & 9" from wall  
'P' trap dist. 7" from floor  
matching polypropylene  
Hydraulic seat cover.



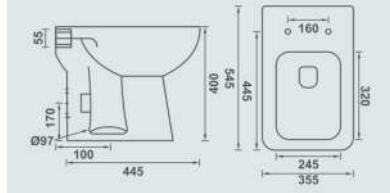
**Meridian** concealed wallhung pg. 110

'P' trap available.  
**installation**  
ewc: fitting with cast iron  
chair brackets &  
G.I. rag bolt. matching  
polypropylene Hydraulic seat cover.



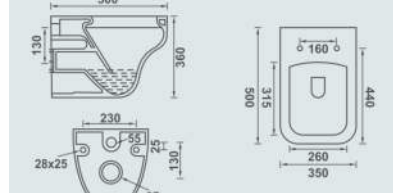
**Beetle** EWC pg. 111

'P' or 'S' trap available.  
**installation**  
ewc: screwed to floor.  
'S' trap dist. 4" from wall.  
'P' trap dist. 7" from floor.  
matching polypropylene  
Hydraulic seat cover.



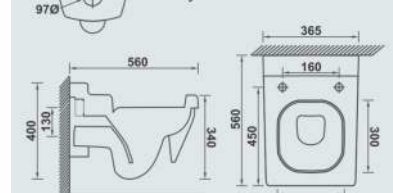
**Mini Beetle** concealed wallhung pg. 111

'P' trap available.  
**installation**  
ewc: fitting with cast iron  
chair brackets and G.I.  
rag bolt.  
matching polypropylene  
Hydraulic seat cover.



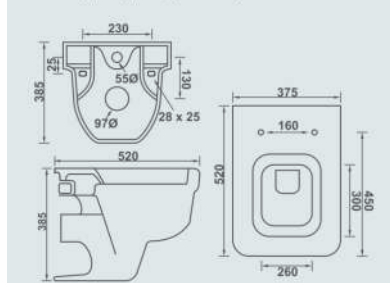
**Candida** concealed wallhung pg. 112

'P' trap available.  
**installation**  
ewc: fitting with cast iron  
chair brackets and  
G.I. rag bolt.  
matching polypropylene  
Hydraulic seat cover.



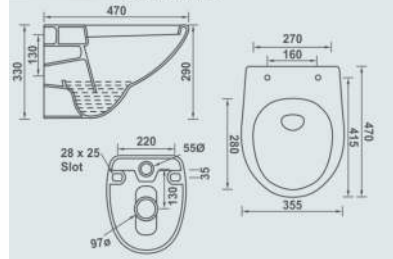
**Enigma** concealed wallhung pg. 112

'P' trap available.  
**installation**  
ewc: fitting with cast iron  
chair brackets & G.I. rag bolt.  
matching polypropylene Hydraulic seat cover.



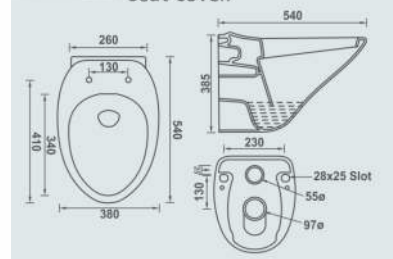
**Simi** concealed wallhung pg. 112

'P' trap available.  
**installation**  
ewc: fitting with cast iron  
chair brackets and G.I. rag bolt.  
matching polypropylene  
seat cover.



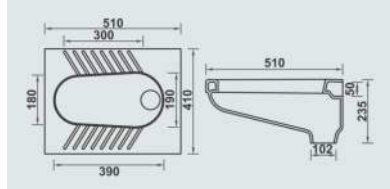
**Prima** concealed wallhung pg. 112

'P' trap available.  
**installation**  
ewc: fitting with cast iron  
chair brackets and G.I. rag bolt.  
matching polypropylene  
seat cover.



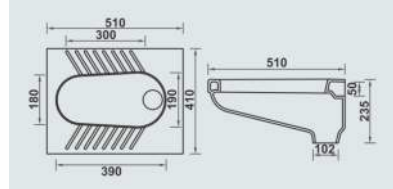
**CT pan 20"** pg. 113

**installation**  
fixing: open rim, with  
integral foot treads,  
suitable for use with high  
level cistern & sinking  
into floor.



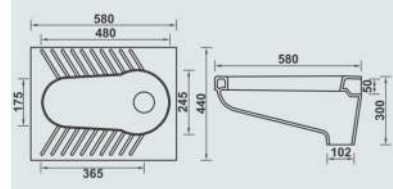
**Comfort pan 20"** pg. 113

**installation**  
fixing: open rim, with  
integral foot treads,  
suitable for use with high  
level cistern & sinking  
into floor.



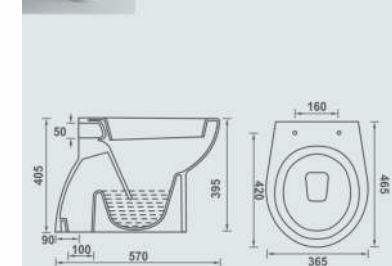
**Comfort pan 23"** pg. 113

**installation**  
fixing: open rim, with  
integral foot treads,  
suitable for use with high  
level cistern & sinking  
into floor.



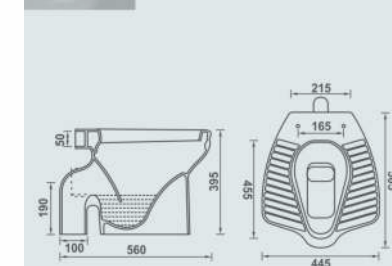
**Ozone** concealed EWC pg. 115

'S' trap available.  
**installation**  
ewc: screwed to floor.  
matching polypropylene  
seat cover.



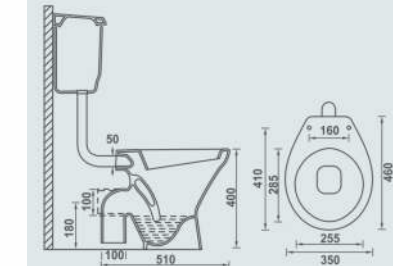
**Anglo** WC pg. 115

'P' or 'S' trap available.  
**installation**  
ewc: screwed to floor.  
matching polypropylene  
seat cover.



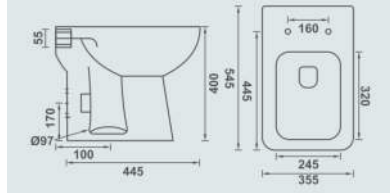
**Europie** EWC pg. 115

'P' or 'S' trap available.  
**installation**  
ewc: screwed to floor.  
matching polypropylene  
seat cover.



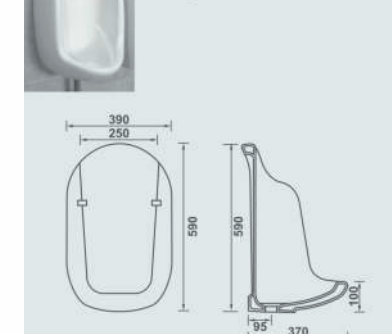
**Premium** EWC pg. 115

'P' or 'S' trap available.  
**installation**  
ewc: screwed to floor.  
matching polypropylene  
seat cover.



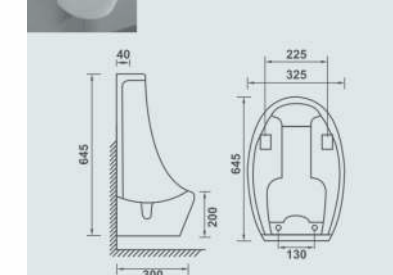
**Alfa** half stall urinal pg. 118

**installation**  
fixing: with 'Z' brackets



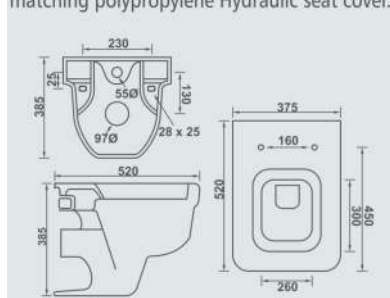
**Evan** flat back urinal pg. 118

**installation**  
fixing: with 'Z'  
bracket & brass screwed  
to the wall.



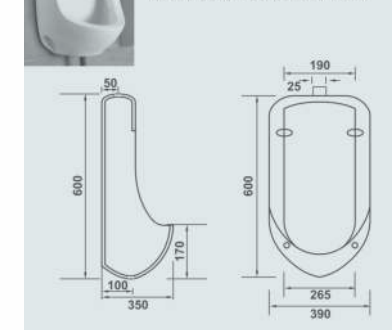
**Elias** flat back urinal pg. 118

**installation**  
fixing: with 'Z'  
bracket & brass screwed  
to the wall.



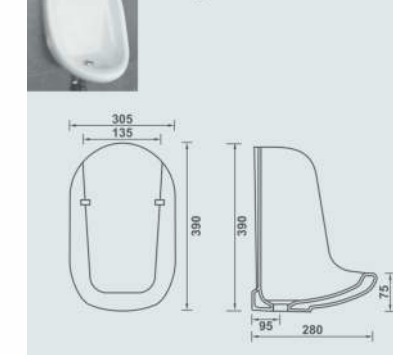
**Sindy** half stall urinal pg. 119

**installation**  
fixing: with 'Z' brackets and  
brass screwed to the wall.



**Comfort** urinal pg. 119

**installation**  
fixing: with 'Z' brackets



TRAP DISTANCE

CATEGORY	PRODUCT NAME	"S" TRAP WALL DISTANCE		"P" TRAP WALL DISTANCE	
		mm	inch	mm	inch
FLOOR MOUNTED COUPLE CLOSET	ITALIA*	225±10	9"	200±10	8"
	ITALIA*	100±10	4"	200±10	8"
	PREMIUM	100±10	4"	NA	-
CLOSET	BEETLE	100±10	4"	170±10	7"
	OZONE	90±10	4"	NA	-
	ANGLO	300±10	12"	180±10	7"
	EUROPIE	300±10	12"	180±10	7"
	PREMIUM	300±10	12"	NA	-
	FLUID	90±10	4"	NA	-

CATEGORY	PRODUCT NAME	DIFFERENCE B/W INLET & OUTLET	RAG-BOLT DISTANCE	P-TRAP HEIGHT
CONCEALED WALLHUNG	MINI BEETLE	130	230	220
	BETTLE	130	230	220
	AMAZONE	130	230	240
	MINI AMAZONE	130	230	230
	VERO	130	230	220
	PRIMA	130	230	210
	SIMI	130	220	240
	MERIDIAN	130	230	240
	FOURSQUARE	130	230	210
	MINI FOURSQUARE	130	230	210
	ENIGMA	130	230	215
	CANDIDA	130	230	245
	REVO	130	230	210
	LUMINA	130	230	230
	AVIVA	140	230	225
	SELGE	130	180	215
	MILANO	130	230	210
	MINI	130	230	225
	PANDORA	130	230	220
	RIVERSTOE	130	230	210
SANITEE	130	230	205	
SANTEC	130	230	230	
SANCTUM	135	230	210	
STILO	130	230	220	

CATEGORY	PRODUCT NAME	DIFFERENCE B/W RAG-BOLT & OUTLET	RAG-BOLT DISTANCE	P-TRAP HEIGHT
WALL MOUNTED COUPLE CLOSET	LUMINA	80	260	230
	BEETLE	145	260	175
	PREMIUM	180	230	140

\* With Conversion band NA - Not Applicable

1. Wall distance means the distance from finished wall till the centre of the 's' trap of the WC.
2. Floor height means the height from the finished floor till the centre of the 'p' trap of the WC.
3. All dimensions are approximate and are subject to change without notice.

TROUBLE SHOOTING GUIDE

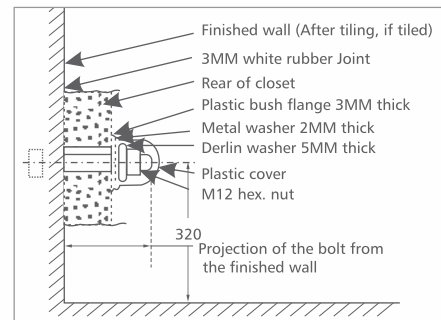
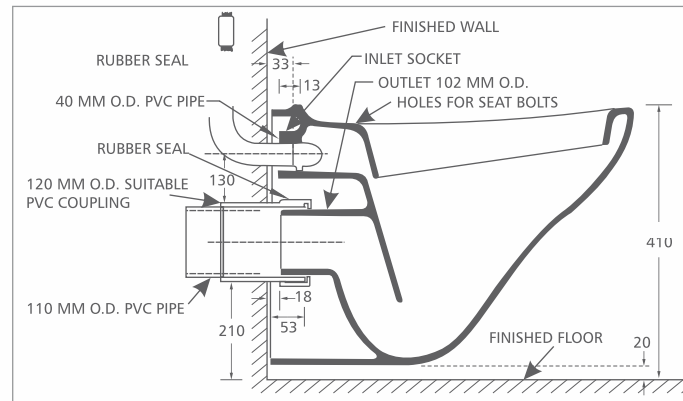
ITEM	PROBLEM	PROBABLE REASONS	CORRECTIVE ACTIONS
Wash Basins	1. Water deposit on tap platform and inside bowl	1. Wash Basin is not fixed in level, Bracket not leveled	1. Bracket should be corrected
	2. Overflow choked & foul smell	2. Waste coupling used may be full threaded	2. Waste coupling should be changed to slot cut coupling
EWCs/ Indian Pan	1. Water not coming in bowl area	1. Flush bend may be inserted up to the end of inlet hole	1. Insert the flush pipe only up to the locking portion of the inlet
		2. Flush pipe end may be padded with cloth, etc	2. Flush pipe should be used with rubber adapter
		3. Closet / Pan may not be leveled	3. Closet/Pan should be leveled
Premium Floor Mounted / Wall Mounted WCs	1. Water leaking between cistern and closet	1. Diverter pipe not fixed in outlet of cistern	1. Insert the diverter pipe into the outlet of the cistern
	2. Uneven flow of water from both sides	2. Both arms of the diverter pipe not inserted equally in both sides of the closet	2. Both arms should be properly inserted inside both sides of the closet
Twin-flush WCs	1. Push rod short and not working	1. Rubber step washer may be fixed outside the cistern reducing the height of the outflow valve	1. Rubber step washer should be used in the outlet of outflow valve from inside the cistern
Coupled Closets	1. Water leaking between the cistern and the closet during flushing	1. Rubber ring gasket may not fixed or not fixed properly	1. Rubber ring should be kept in the center between the outlet of the cistern and the inlet of the closet at correct position
	2. Water quantity insufficient for effective flushing	2. Float ball height adjusted to lower quantity of water discharge	2. Turn the adjusting screw provided on the top of the inlet in clock wise direction to increase the discharge level. (Caution: The water level may be increased till the water from the inlet shuts off at the 'top-line' mark provided on the floating body)
Cisterns	1. Water overflowing continuously from the cistern	1. Inlet valve may not be closing properly	1. Inlet valve should be opened to clean the rubber diaphragm. See that the diaphragm is not punctured
		2a. Outflow valve may not be closing properly	2a. Open the outflow valve top portion and clean the washer, if there is any dirt deposits
	2. Water leaking from outlet of the cistern continuously	2b. Valve ring may not be fixed properly to the bottom of the floating body	2b. Fix the valve ring to the top of the groove provided in the floating body. Ensure that the valve ring sits securely around the groove
		2c. Valve ring may have cracked or become worn out	2c. Replace the valve ring
	2d. Cistern not fully tightened to the closet	2d. Tighten tank holding screws evenly till they cannot be tightened further with one hand	



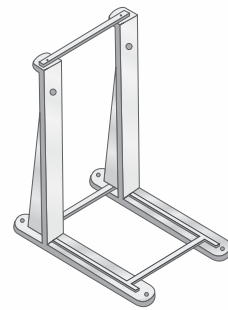
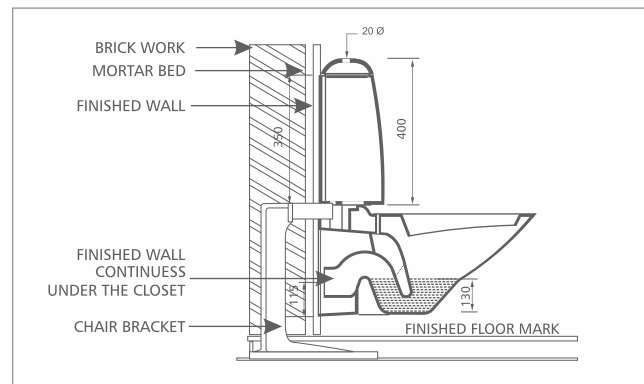
## INSTALLATION & INSTRUCTIONS

### CONCEALED WALLHUNG

1. If the wall is going to be plastered for a thickness of 12 mm and a tile thickness of 6-7 mm, the projection of the bolts from the finished wall should be 66 mm only.
2. If the thickness of plastering and tile is less than the dimensions mentioned above, the bolts that are supplied along with the bracket should be moved into the wall by using a suitable spacer washer between the bolt head and the bracket frame.
3. The bracket should be buried into the floor so that the height from the center line of the bolt to the surface of the finished floor is 320mm.

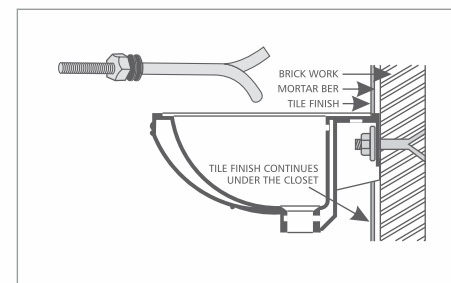


### WALL MOUNTED COUPLE CLOSET (Premium & Italia)



### WALL HUNG BASIN

- 1) The rag bolt should be first grouted into the wall using cement / concrete, (as shown) as per distance between slots provided in the wash basin. The bolts should be fixed perpendicular to the wall. Allow cement / concrete to set. Check if the Rag bolts are firmly fixed. Fix the Wash Basin in the bolt using Nut & Washer. (2) If brackets are use prefer nylon or aluminum instead of iron brackets as it tends to rust. (3) If small basins are screwed to wall, use nylon washers and steel screws. (4) While fixing waste outlet, ensure that the rubber washer is placed on the outlet under the basin.



## TIPS FOR MAINTENANCE

- The sanitarywares from Soncera have a smooth, impermeable and practically scratch-resistant surface, which is resistant to most of the acids and alkalis commonly encountered in the home.
- For daily care, you will usually only need water and a damp cloth. Tidemarks, grease and soap residues can be removed quickly and easily with a vinegar-based or bathroom cleaner.
- Like any other part of your house, the bathroom can be made to look great and made to last if it is taken care of regularly. Here are some simple tips that can help you keep your bathroom glittering and fresh everyday.

#### Wash Basins

The wash basin needs to be washed with a mild detergent at least once a day. After washing, the basin must be wiped with a dry cloth to avoid water stains, especially on dark colours. Wash basins not cleaned for along time can accumulate stains. To remove the stains, diluted hydrochloric acid may be used.

#### Closets

Use a plastic bristled brush with a plastic handle to scrub the toilet with a cleanser, at least once a day. After flushing the toilet, give it a "once over" with the brush to avoid minute discoloring.

In the case of closets, if there has been no maintenance over a long period of time, water deposits and discoloration are formed on the surface of areas that get wet. In such cases, these stains / marks can be removed with the help of a solution of diluted hydrochloric acid. Do not use powder paste, thinner or dry cleaning liquids. To remove fine scratches, use Brasso or car rubbing compound and then polish with a polish cloth.

#### Internal Fittings of Cisterns

Accumulation of dust / small piece stones/sand coming through pipeline in the water on inlet and outlet rubber diaphragms may result in leakage of water. In case of such malfunctioning, all you have to do is open the inlet/outlet valve and clean the diaphragms or replace them. Use only genuine spare parts.

## AVAILABLE COLORS



Star White



Off White

Note: Colours printed above may differ from original colours of ceramics. For true selection; refer to actual samples or shade board.

Continuous innovation and improvement in manufacturing techniques and products are carried out regularly. We reserve the right to supply articles which may not correspond exactly with the particulars given in this booklet.

Technical Details - Dimensions:

When ordering product from this brochure, please advice your plumber of the correct sizing to ensure the accurate installation.