

Collection

## WAVE

Article

### WA318

Description

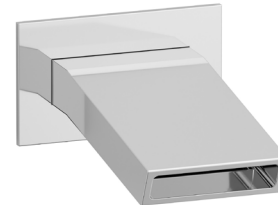
**Built in wall mounted waterfall spout**

Box Dimensions

**455x107x41 mm**

Weight

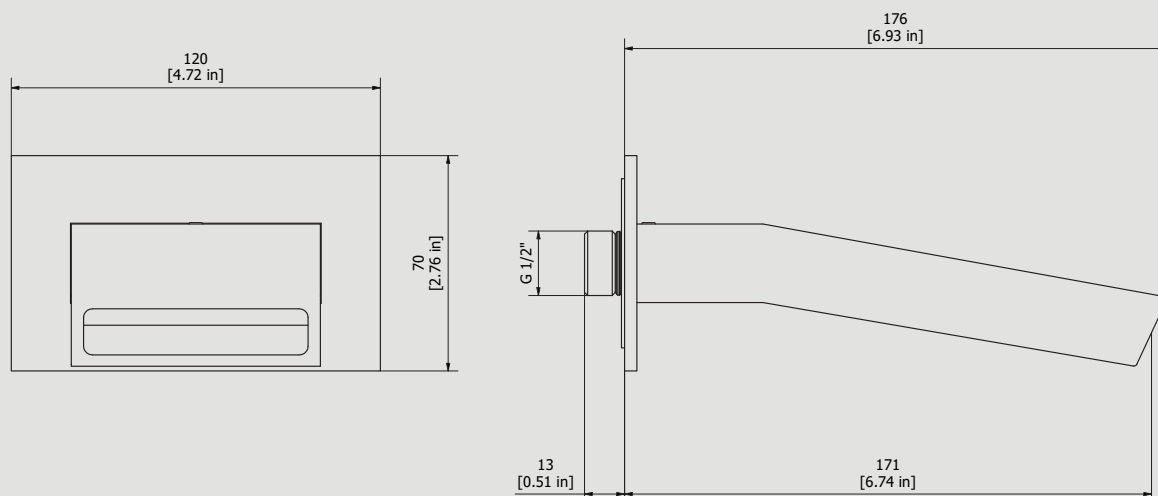
**1.5 kg**



Finishes

- **CC**  
CHROME
- **CF**  
BLACK CHROME
- **OO**  
GOLD
- **BB**  
ANTIQUE BRONZE
- **SS**  
BRUSHED NICKEL
- **CS**  
BRUSHED BLACK CHROME
- **BO**  
MATT WHITE
- **NP**  
MATT BLACK
- **IS**  
BRUSHED PALE GOLD
- **OS**  
BRUSHED GOLD
- **II**  
PALE GOLD
- **RR**  
ANTIQUE COPPER
- **RS**  
ROSE GOLD
- **ON**  
NATURAL BRASS
- **SR**  
BRUSHED ROSE GOLD
- **PL**  
PLATINUM

Dimensions



Cartridge

Threaded fitting

**Threaded fitting G1/2" male**

Aerator

Flow Rate (+/-10%)

-

**1 BAR**  
12 l/min

**2 BAR**  
12 l/min

**3 BAR**  
12 l/min

Production

**Main body is a single casted pieces**

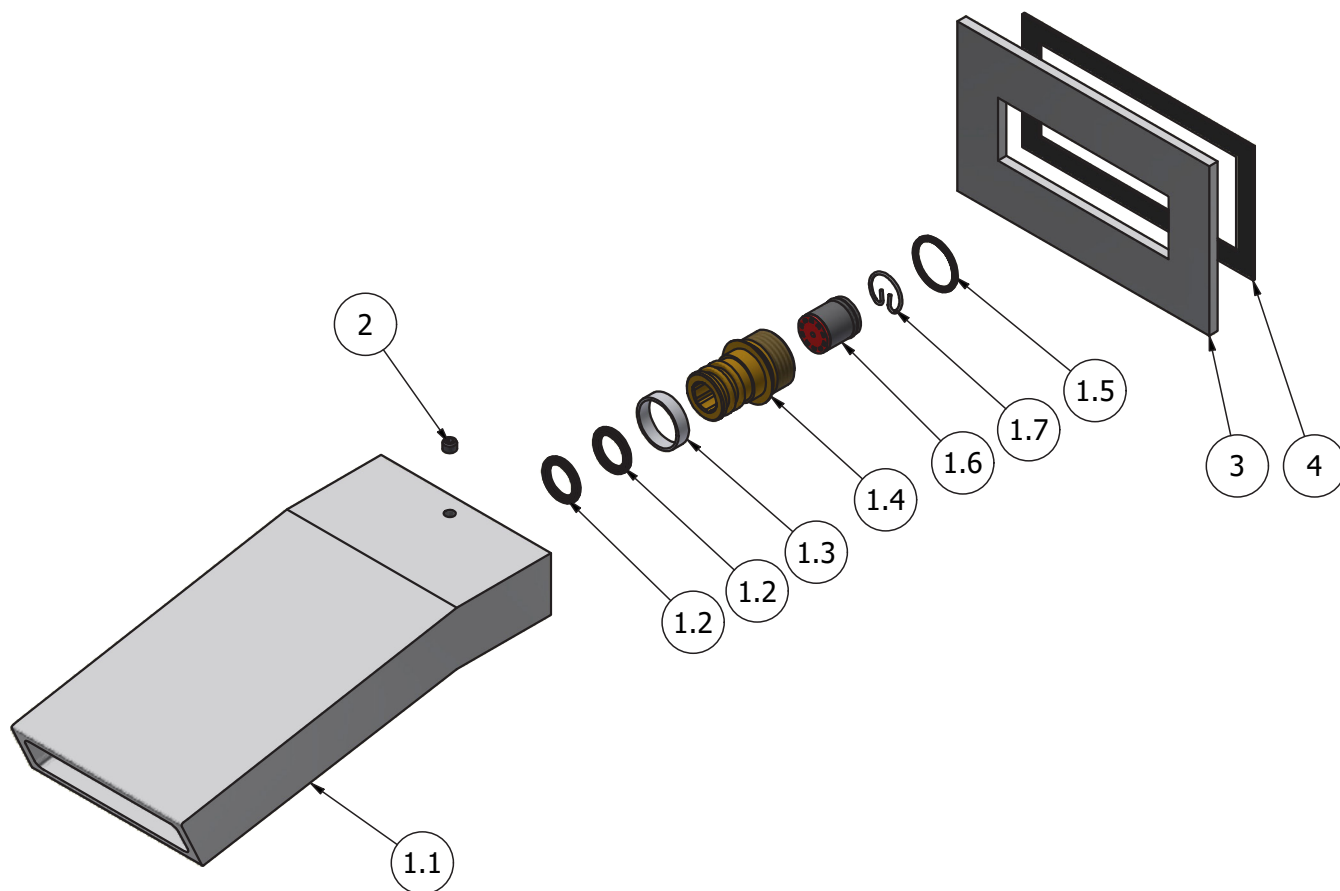
Material

**BRASS**  
According to CuZn35Pb2Al-B (CB752S)  
Max Lead content: 1.36%



# IB RUBINETTI

ELENCO PARTI			
ELEMENTO	CODICE	DESCRIZIONE	QTÀ
1	CP1805CC-1	Pre-assembled recessed spout	1
1.1	CC0001805	Mouth exit	1
1.2	AQ0001360	OR 11.91x2.62 NBR 70 SH	2
1.3	AQ0010435	Nylon ring	1
1.4	AS0010397	Built-in basin spout insert	1
1.5	AQ0004630	OR 17.16x1.78 NBR 70 SH	1
1.6	AQ0010320	Flow reduction valve 12 lt Ø14	1
1.7	AQ0009678	Snap ring AISI 302	1
2	AQ0001100	Stainless steel grub M5x5 p.p.	1
3	AC0011191	Plate 70x120x4	1
4	AQ0013481	Double-sided adhesive seal 100x50	1



**WARRANTY**

All IB Rubinetterie SpA products are warranted for 10 years from the date of purchase, for the following cases:

- Defects of casting, porosity and chrome plating.
- Operating defects caused by incorrect fabrication.

The warranty provides for repair or replacement of products with fabrication defects recognized by our technical office. There is no other type of compensation anche the merchandise must be returned FOB our warehouse. The warranty only cover surface defects (scatches, dings, etc.) on fitting that have not been installed and used, returned in its original packaging with all components. O-ring, gasket seals and components subject to wear proportional to use are warranted for 2 years.

**The warranty is void in the following cases:**

Error installing and putting the product into service.

Deterioration of finisched surfaces due to use of cleaning products containing acids or abrasive substances. Deterioration of surface with finishes other than chrome plating. Their durability is, in fact, dependent on the user's care and gentleness of use.

Deterioration of the fitting due incorrect installation.

Improper repairs and maintenance performed without the company's prior authorization.

The warranty from IB Rubinetterie SpA is not renewable.

**Cleaning**

We recommended cleaning the finish surfaces with water and soap, using a soft cloth.

Do not use detergents that cointain hydrochloric acid or abrasive substances.

