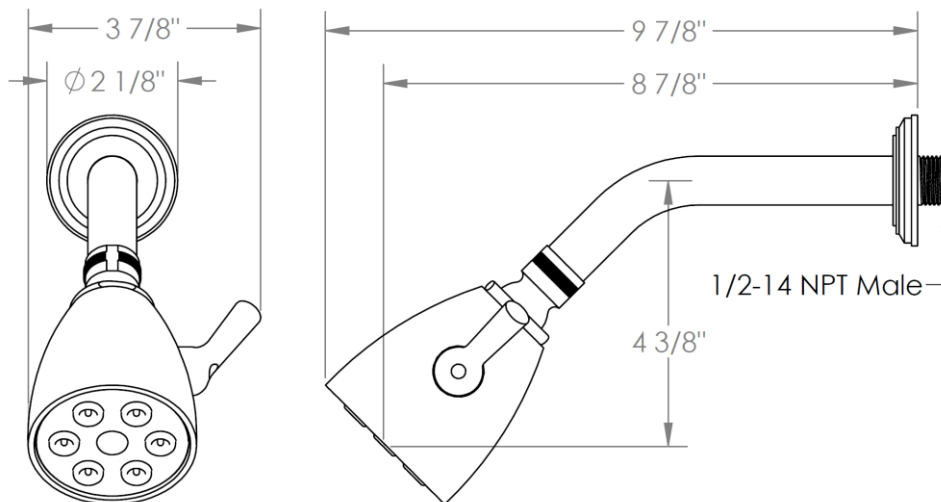


**321-HAF**

Wall Mounted Showerhead with 7½" Arm & Flange

Supply Connection Type: ½" NPT Male

Flow Rate: 1.75 GPM



Meets the applicable requirements of ASME A112.18.1-2005/CSA B125.1-05, entitled "Plumbing Supply Fittings"

**WATERMARK DESIGNS 10/10/2018**

350 Dewitt Ave Brooklyn NY 11207 USA T 718 257 2800 F 718 257 2144 info@watermark-designs.com