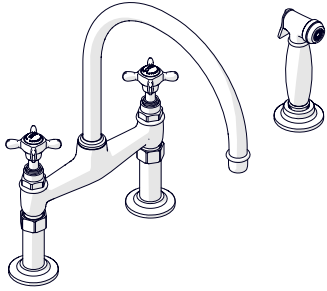


EASTON VINTAGE

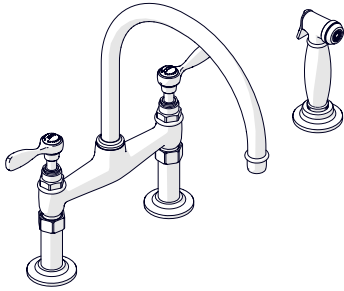
Two Hole Bridge Kitchen Faucet and Spray

INSTALLATION GUIDELINES

Style No. EAKM41
Metal Cross Handles



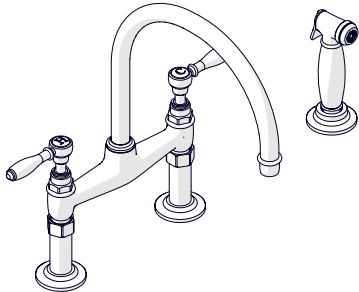
Style No. EAKM42
Metal Lever Handles



Style No. EAKM43
White Porcelain Lever Handles

Style No. EAKM44
Black Porcelain Lever Handles

Style No. EAKM45
Oak Lever Handles



SPECIFICATIONS:

Deck Thickness:	1/4" MIN - 1-1/4" MAX (6mm MIN - 32mm MAX)
Fitting Hole Diameter	Ø1-3/8" (Ø 35mm)
Inlet Connection Size & Type:	1/2" Male
Restricted Maximum Flow Rate:	2.2gpm (8.32 L/min)
Spout Reach:	9-7/8" (250mm)
Spout Swivel:	Yes
Water Pressure:	20 psi MIN - 80psi MAX (1.4 Bar Min - 5.5 Bar Max)
Water Pressure Recommended:	45 psi (3 Bar)

IMPORTANT:

- To ensure this product is installed properly, you must read and follow these guidelines.
- The owner/user of this product must keep this information for future reference.
- Be sure your installation conforms to federal, state, and local codes. In the State of Massachusetts, all installations must comply with the rules and regulations set forth within 248 CMR.
- This product must be installed by a professional licensed contractor.
- Inspect this product to ensure you have all the parts required for proper installation.
- Use only a strap wrench or protected/smooth-jaw wrench on any finished surface.
- The use of certain putty may stain stone or tile surfaces. Upper and lower washers are provided.

SPOUT INSTALLATION:

- See Figure 1. for Steps 1-4.

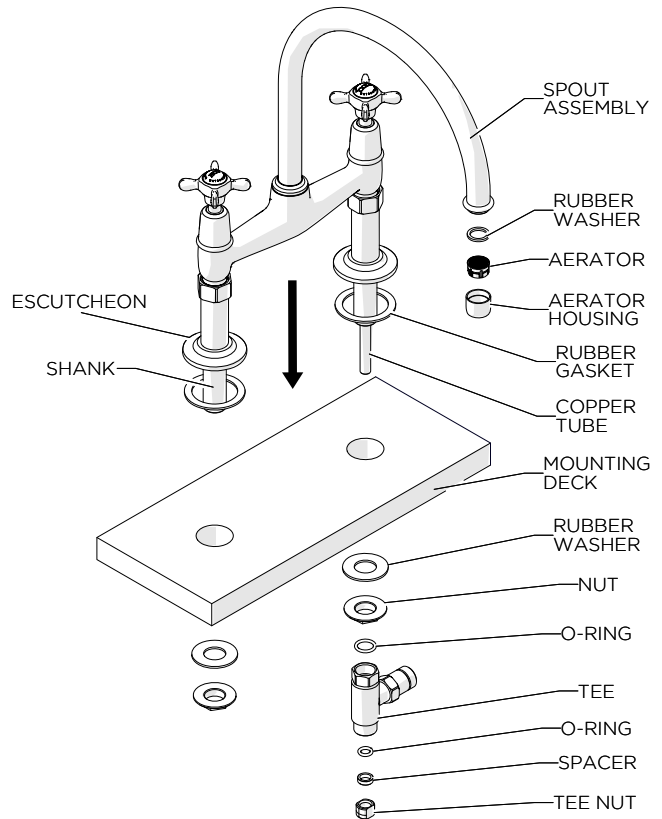


FIGURE - 01

1. Remove the NUT & RUBBER WASHER from the bottom of the SHANKS.

These guidelines have been prepared for the professional contractor to aid in the installation of: EASTON TWO HOLE KITCHEN FAUCET WITH SPRAY. STYLE NOS. EAKM41, EAKM42, EAKM43, EAKM44, & EAKM45. All dimensions are based on original specification and are subject to change and variation. Please consult your Design Associate for current specifications.

WATERWORKS

EASTON VINTAGE

Two Hole Bridge Kitchen Faucet and Spray

INSTALLATION GUIDELINES

- Remove the TEE by loosening the TEE NUT and unthread the TEE from the SHANK.
 - Place the SPOUT ASSEMBLY through the holes on the MOUNTING DECK, making sure the RUBBER GASKETS are below the ESCUTCHEONS.
 - Reinstall the RUBBER WASHERS and NUTS to the bottom of the SHANKS to secure the SPOUT ASSEMBLY.
- See Figure 2. for Steps 5 & 6.

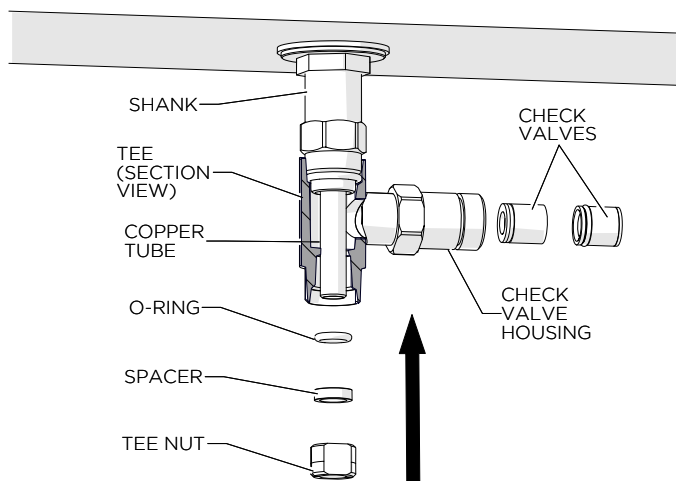


FIGURE - 02

- Reinstall TEE by sliding it over the COPPER TUBE and tighten to SHANK.
- Re-install the O-RING, SPACER & tighten TEE NUT to secure TEE to the SHANK.

SIDE SPRAY INSTALLATION:

- See Figure 3. for Steps 6-12.
- Remove the NUT & RUBBER WASHER from bottom of SHANK
 - Place ESCUTCHEON & SHANK through the mounting hole, making sure the RUBBER GASKET is below. Reinstall the NUT and RUBBER WASHER to secure the spray return.
 - Drop the KNURLED END of the handshower HOSE through the ESCUTCHEON and below the deck.
 - Spread the PLASTIC INSERT open and place the HOSE into it. Snap the PLASTIC INSERT into the ESCUTCHEON to make sure HOSE does not slip below the deck.
 - Thread the RETAINING COLLAR onto the top of the ESCUTCHEON.

- Lastly attach the KNURLED END of the HOSE to the CHECK VALVE HOUSING and attach the CONICAL END of the HOSE to the SPRAY.

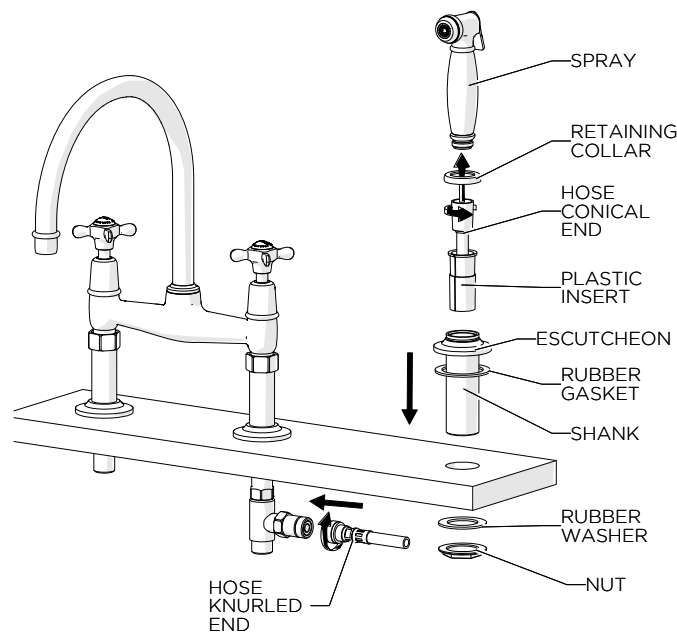


FIGURE - 03

- Note: HOSE is not shown complete.

INSPECT THE INSTALLATION:

- Remove the flow restricting AERATOR by unthreading the AERATOR HOUSING, then carefully open the hot and cold valves to flush out any debris in the supply lines. See Figure - 0 1.
 - Inspect all connections for leaks.
 - Re-install the flow restricting aerator.
- If further assistance is required, please contact Product Support at 1-800-927-2120 (8am-6pm EST).
- See service part document for parts ordering, available on WATERWORKS.COM.
- * Putty contains oils and can cause permanent discoloration on certain materials such as marble, granite and any porous surface.

These guidelines have been prepared for the professional contractor to aid in the installation of:
EASTON TWO HOLE KITCHEN FAUCET WITH SPRAY, STYLE NOS. EAKM41, EAKM42, EAKM43, EAKM44, & EAKM45
All dimensions are based on original specification and are subject to change and variation.
Please consult your Design Associate for current specifications.

WATERWORKS