

**C22WP90**



**Collection:** CONTRA

**Finish\*:**



GA - Profiles chromés

**Main features:**



**Features**

- DIMENSIONS: 200 x cm
- MATERIAL: Clear glass
- MIN/MAX WIDTH: 127 - 129
- REINFORCING BAR: Required: horizontal or diagonal.
- GLASS THICKNESS IN MM: 8
- WALL ADJUSTMENT IN MM: 20 mm
- INSTALLATION: Open Space
- PIVOT RETURN WIDTH: 35 cm
- MIN/MX TOTAL WIDTH FIXED ENCLOSURE WITH RETURN: 127 - 129 cm

- WEIGHT: 58 kg
- INSTALLATION TYPE: Walk-in
- PANEL: Pivoting, clear glass, 40 cm, 6 mm thick
- INSTALLATION: Reversible
- PANEL HEIGHT IN CM: 200
- ENCLOSURE TYPE: Walk-in
- RETURN MATERIAL: Return in transparent glass
- ANTI-SCALE TREATMENT: Yes
- Clear coated glass

**Consumer benefits**

- COMFORT: Pivot return 40 cm to reduce spray

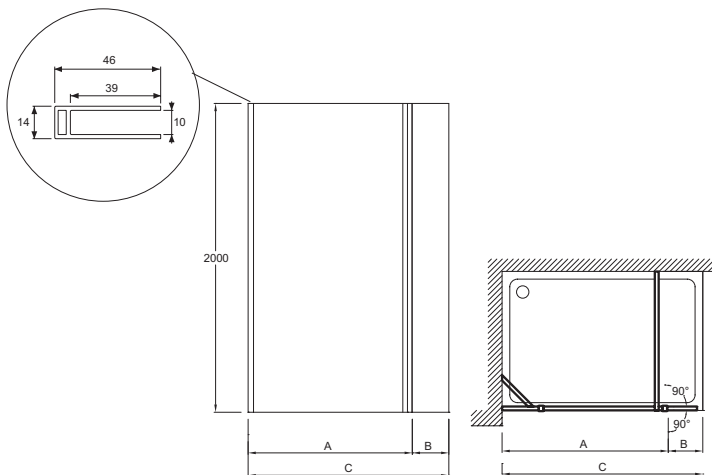
**Installation benefits**

- Wall adjustment 18 mm
- Reversible installation

**Required products**

- E22BW90: Horizontal bar
- E22BWC: Vertical ceiling-mounted bar
- E22BT: ff

**Technical drawing**



	C22WP90-GA	C22WP100-GA	C22WP120-GA	C22WP140-GA
Mm	1300	1400	1600	1800
A mini/maxi	915-935	1015-1035	1215-1235	1415-1435
B	355	355	355	355
C mini/maxi	1270-1290	1370-1390	1570-1590	1770-1790

Product Specification: Fixed panel with pivot return. C22WP90. Collection: CONTRA. DIMENSIONS: 200 x cm. WEIGHT: 58 kg. MATERIAL: Clear glass. INSTALLATION TYPE: Walk-in. MIN/MAX WIDTH: 127 - 129. PANEL: Pivoting, clear glass, 40 cm, 6 mm thick. REINFORCING BAR: Required: horizontal or diagonal. INSTALLATION: Reversible. GLASS THICKNESS IN MM: 8. PANEL HEIGHT IN CM: 200. WALL ADJUSTMENT IN MM: 20 mm. ENCLOSURE TYPE: Walk-in. INSTALLATION: Open Space. RETURN MATERIAL: Return in transparent glass. PIVOT RETURN WIDTH: 35 cm. ANTI-SCALE TREATMENT: Yes. MIN/MX TOTAL WIDTH FIXED ENCLOSURE WITH RETURN: 127 - 129 cm. Clear coated glass.

\*Due to possible variations in computer and printer calibrations, technical factors and certain finish characteristics, the colors you see may not accurately portray the actual colors and are provided as a guide only.