

Marchio / Brand ZUCCHETTI

Classe / Class DOCCE

## SHOWER

Z93924



Preso acqua. / Wall elbow.



Preso acqua da 1/2"x1/2". Per gruppo incasso.

Wall elbow, 1/2"x1/2".

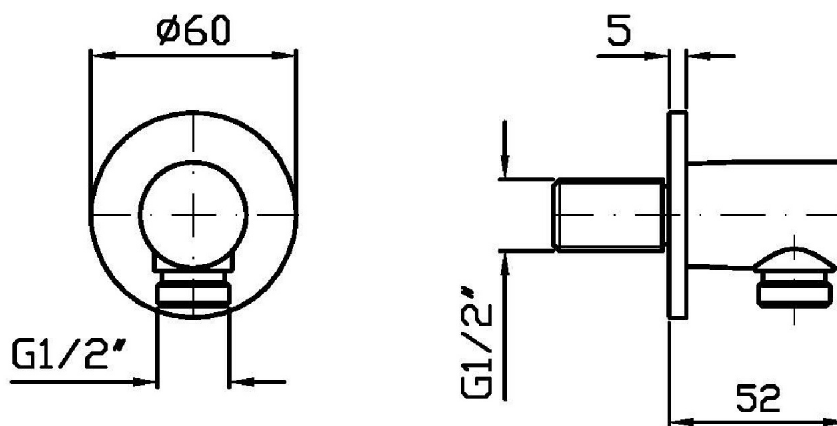
### Finiture / Finishes

	 C3	 C8	 C40	 C41	 C50	 C51
Cromo / Chrome	Nickel Spazzolato / Brushed Nickel	Nickel Lucido / Polished Nickel	Oro / Gold	Oro spazzolato / Brushed Gold	Metal Black / Metal Black	Metal Black spazzolato / Brushed Metal Black
 P70	 W1	 N1	 N7			
PVD Oro Rosa / PVD Rose Gold	Bianco Opaco Goffrato / Embossed Matt White	Nero Opaco Goffrato / Embossed Matt Black	Nero Soft Touch / Soft Touch Black			

## SHOWER

Z93924

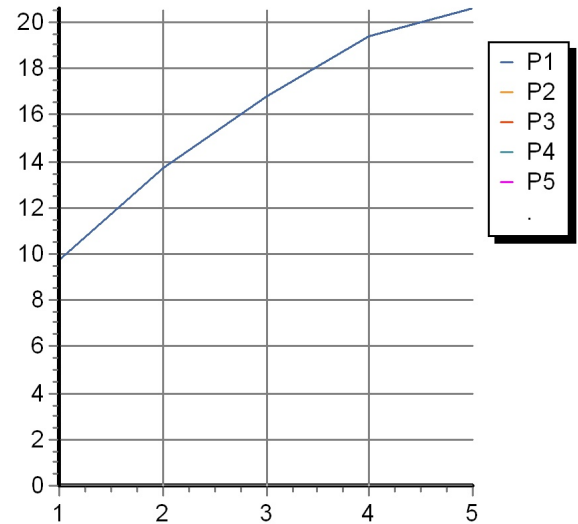
Disegno Complessivo / Overall Drawing



## SHOWER

Z93924 Portate / Flowrates (lt/min)

PRESSIONE PRESSURE	1 BAR	2 BAR	3 BAR	4 BAR	5 BAR
1 RUBINETTO APERTO <i>P1</i>	9,7	13,7	16,8	19,4	20,6
<i>P2</i>					
<i>P3</i>					
<i>P4</i>					
<i>P5</i>					



## SHOWER

Z93924 Pesi e Misure / Weights and Sizes

Peso ( Kg ) Weight ( lb )	0,25 ( Kg )	0,55 ( lb )
Volume test ( dc3 ) - ( in3 )	1,21 ( dc3 )	73,84 ( in3 )
h ( mm ) - ( in )	73,00 ( mm )	2,87 ( in )
L1 ( mm ) - ( in )	127,00 ( mm )	5,00 ( in )
L2 ( mm ) - ( in )	130,00 ( mm )	5,12 ( in )

