



# Underscore® Oval 72" x 42" Heated BubbleMassage™ air bath with whirlpool K-5718-XHGH

## Features

- 122 airjets release thousands of heated bubbles that surround, support, and massage the body.
- Variable-speed blower lets you adjust massage intensity to 18 levels.
- Eight Flexjet® hydromassage jets can be individually adjusted for water flow and direction.
- Variable-speed pump for adjusting hydromassage intensity.
- Automatic and manual purge cycles remove residual water from air channels after use.
- 60-minute automatic shutoff timer.
- Built-in heater.
- Slotted overflow allows for deep soaking.
- Oval-shaped basin offers a graceful and spacious bathing experience.
- Generous 72" length provides spacious bathing for up to two people.
- Integral lumbar support.
- Keypad control.
- Textured bottom surface.

## Material

- Acrylic.

## Technology

- Heated BubbleMassage™ technology warms and humidifies air before it enters the bath.

## Installation

- Drop-in or undermount.
- Center drain.
- 120V electrical requirement allows for easy installation with standard outlet.
- Requires three dedicated circuits.

## Required Products/Accessories

K-7271 Brass Slotted Overflow Bath Drain  
K-9698 Flexjet® Whirlpool Trim Kit

or

K-7272 PVC Slotted Overflow Bath Drain  
K-9698 Flexjet® Whirlpool Trim Kit

## Recommended Products/Accessories

K-1491 Bath/Whirlpool Pillow  
K-1601 Bath/Whirlpool Footstop  
K-1703 Whirlpool Remote Control  
K-9497 2-1/2" Keypad Trim  
K-24916 Wireless Music Kit  
K-702200-G54 Frameless Sliding Bath Door  
K-702200-G73 Frameless Sliding Bath Door  
K-702200-L Frameless Sliding Bath Door



## Codes/Standards





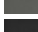

ASME A112.19.7/CSA B45.10  
CSA B45.5/IAPMO Z124  
ASTM E162  
ASTM E662  
UL 1795  
CSA C22.2 No. 218.2

**KOHLER® Hydrotherapy Components  
Five-Year Limited Warranty  
KOHLER® Plastic Baths and Receptors  
Lifetime Limited Warranty**

See website for detailed warranty information.

## Available Colors/Finishes

*Color tiles intended for reference only.*

| Color  | Code | Description   |
|--|------|---------------|
|  | 0    | White         |
|  | 96   | Biscuit       |
|  | NY   | Dune          |
|  | 95   | Ice™ Grey     |
|  | 58   | Thunder™ Grey |
|  | 7    | Black Black™  |

1-800-4KOHLER (1-800-456-4537)

Kohler Co. reserves the right to make revisions without notice to product specifications.

For the most current Specification Sheet, go to [www.kohler.com](http://www.kohler.com).

1-25-2020 05:49 - US/CA

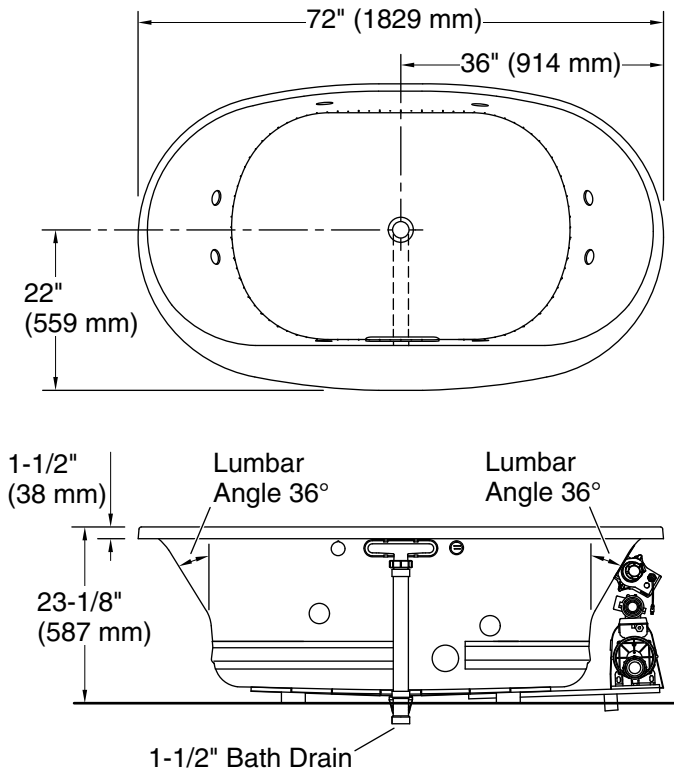
THE BOLD LOOK  
OF **KOHLER**®



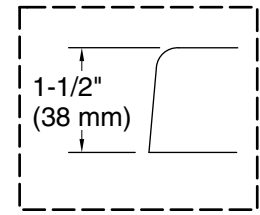
# Underscore® Oval

## 72" x 42" Heated BubbleMassage™ air bath with whirlpool

### K-5718-XHGH

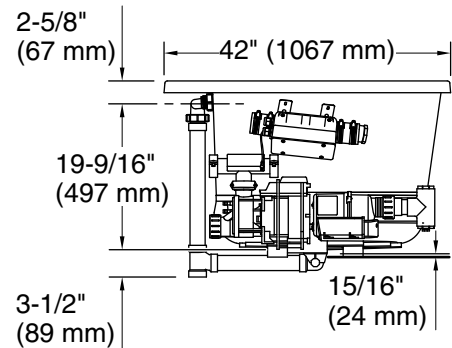


No change in measurements if connected with drain illustrated. (K-7272)



**Drop-in Rim Detail**

**Blower Motor Access**  
30" (762 mm) W x 15" (381 mm) H Min



### Required Electrical Service

Three dedicated circuits required, protected with Class A Ground-Fault Circuit-Interrupter (GFCI). Outside North America, this device may be known as a Residual Current Device (RCD).

|                 |                    |
|-----------------|--------------------|
| Blower:         | 120 V, 15 A, 60 Hz |
| Air bath, Pump: | 120 V, 15 A, 60 Hz |
| Heater:         | 120 V, 15 A, 60 Hz |

### Technical Information

All product dimensions are nominal.

|                              |   |
|------------------------------|---|
| Installation:                | Drop-in, Undermount                                       |
| Drain location:              | Center  |
| Basin area, bottom:          | 46-5/16" x 31-3/16" (1177 mm x 792 mm)                    |
| Basin area, top:             | 63-7/16" x 34-1/4" (1611 mm x 869 mm)                     |
| Weight:                      | 180 lbs (81.6 kg)   |
| Minimum floor load:          | 55.8 lbs/ft <sup>2</sup> (272.4 kg/m <sup>2</sup> )       |
| Water depth:                 | 18-5/8" (472 mm)  |
| Water capacity:              | 112.2 gal (424.7 L)                                       |
| Template:                    | Drop-in, 1268440-7, required, included                    |
| Electrical component rating: | Blower: 120 V, 10 A, 60 Hz<br>Air bath: 120 V, 5 A, 60 Hz |

### Notes

Measure your actual product for rough-in details. Install this product according to the installation instructions.

The hot water supply should be 70% of the capacity of the bath or greater. Installations will vary.