

## EASTON

EALS47

Easton Classic Low Profile Three Hole Wall Mounted Lavatory Faucet with Elongated Spout and Metal Lever Handles



SHOWN IN EASTON CLASSIC LOW PROFILE THREE HOLE WALL MOUNTED LAVATORY FAUCET WITH ELONGATED SPOUT

### TECHNICAL DETAILS

ADA Compliance: Yes  
 Adjustable versus Fixed Spray: Fixed Spray  
 Control Valve Rough-in Depth Maximum: 5 1/4"  
 Control Valve Rough-in Depth Minimum: 2 3/4"  
 Drain Assembly Materials: Brass  
 Drain Depth Maximum: 2 3/4"  
 Drain Hole Diameter: 1 3/4"  
 Drain Style: Lift and Turn  
 Escutcheon Primary Material: Brass  
 Fittings Hole Diameter: 1 3/8"  
 Handle Spread Maximum: 8"  
 Handle Spread Minimum: 8"  
 Handle Turn Angle: Quarter Turn  
 Index Color / Finish and Material: White Porcelain  
 Depth / Width: 6 1/2"  
 Drain Depth Minimum: 1"  
 Height: 3"  
 Index Marking: Hot/Cold  
 Inlet Connection Size: 1/2"  
 Inlet Connection Type: Male NPT  
 Inlet Supply Spread Maximum: 8"  
 Inlet Supply Spread Minimum: 8"  
 Installation Type: Wall Mounted  
 Length: 15"  
 Number of Handles: Two  
 Number of Holes: Three Hole  
 Primary Material: Brass  
 Restricted Maximum Flow Rate: 1.2 gpm  
 Spout Swivel: N  
 Suggested Application: Bath  
 Valve Material: Ceramic  
 Water Pressure Maximum: 85.0 psi  
 Water Pressure Minimum: 20.0 psi  
 Water Pressure Recommended: 45.0 psi

### INSPIRATION

Drawing on Edwardian style, Easton is the most extensive Waterworks family; a range of moods and a selection of products from fittings to furniture.

### CODES & STANDARDS

Code # EALS47: ASME A112.18.1 / CSA B125.1

### PRODUCT FEATURES

Brass metal is used for all trim and valve components  
 The manufacturing process encompasses casting, turning, forging, hand-fitting and hand polishing.  
 Easton is our most comprehensive fittings family.  
 Easton has a clean-lined utilitarian profile, with a slightly elongated spout.  
 Available in 1.2gpm (4.5L/min) flow rate

### CERTIFICATIONS



### PRODUCT (NOTES)

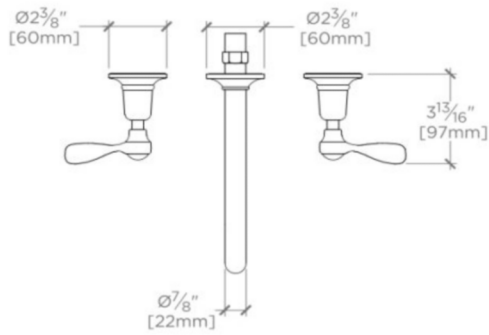
Sold with European style drain; USA style drain sold separately for use with non-Waterworks sinks.

# WATERWORKS

## EASTON

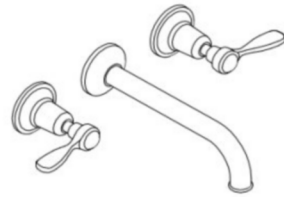
## EALS47

Easton Classic Low Profile Three Hole Wall Mounted Lavatory Faucet with Elongated Spout and Metal Lever Handles



TOP VIEW

SCALE: 1/2"=1'-0"



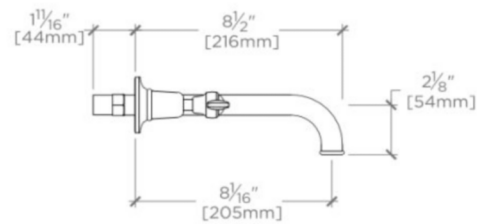
ISO VIEW

SCALE: 1/2"=1'-0"



FRONT VIEW

SCALE: 1/2"=1'-0"



SIDE VIEW

SCALE: 1/2"=1'-0"

