



SETTING FITTINGS			DR-136G-01-A		
FITTINGS	SPEC.	AMOUNT	FITTINGS	SPEC.	AMOUNT
A		8pcs	B	 3.5x40	8pcs

FIG.
1

NOTE: ①This mirror can be hanged either vertically or horizontally.
②This instruction is only for horizontal hanging.

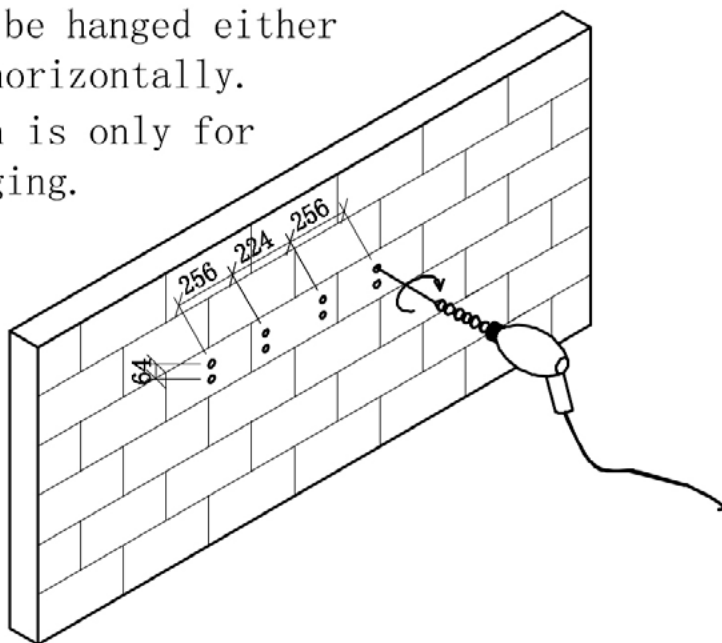


FIG.
2

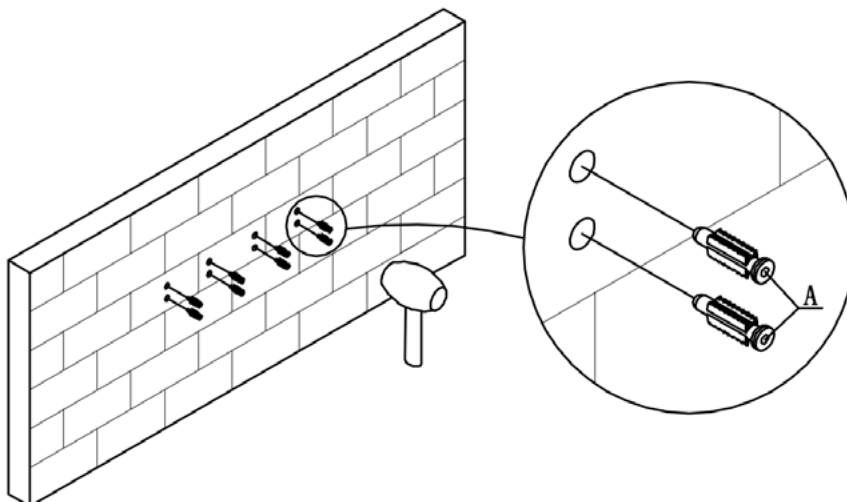


FIG.
3

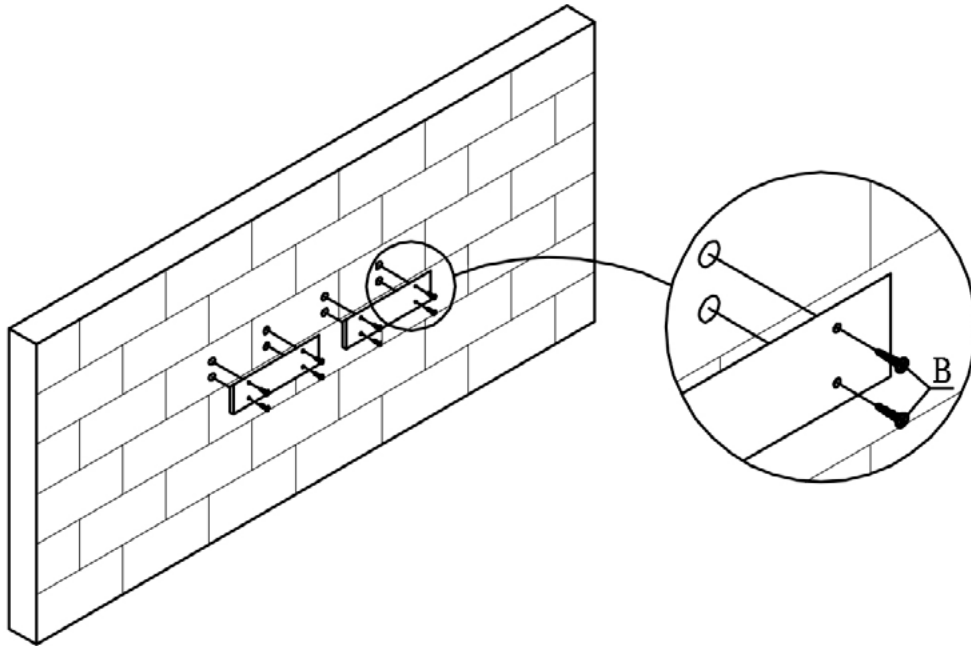


FIG.
4

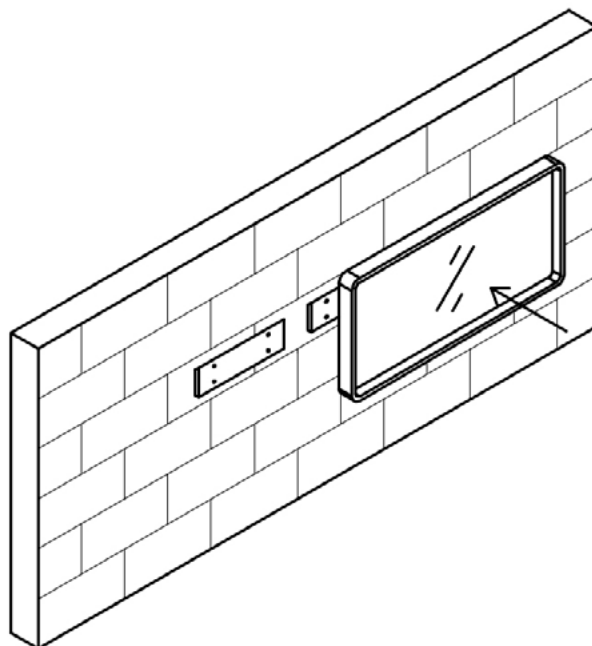
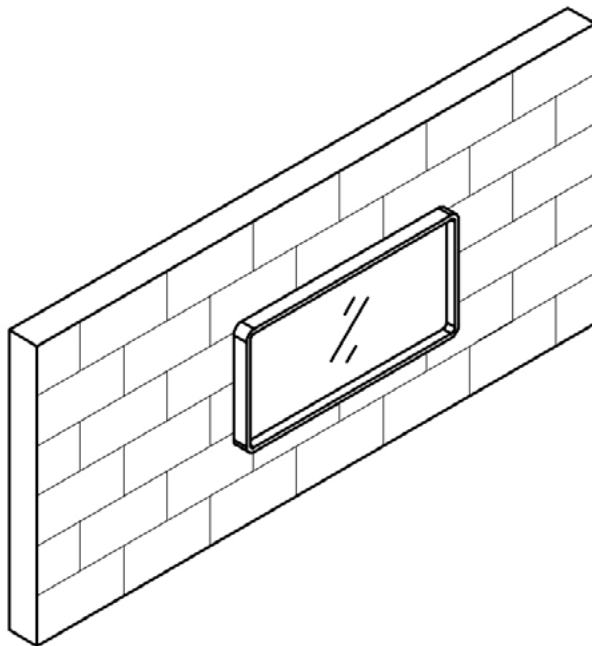


FIG.
5






SETTING FITTINGS			DR-136G-01-A		
FITTINGS	SPEC.	AMOUNT	FITTINGS	SPEC.	AMOUNT
A		8pcs	B	 3.5x40	8pcs
C	 5mm	1pcs			

FIG.
1

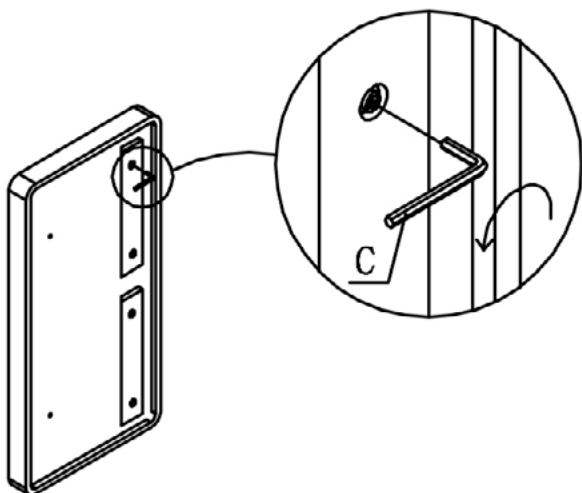


FIG.
2

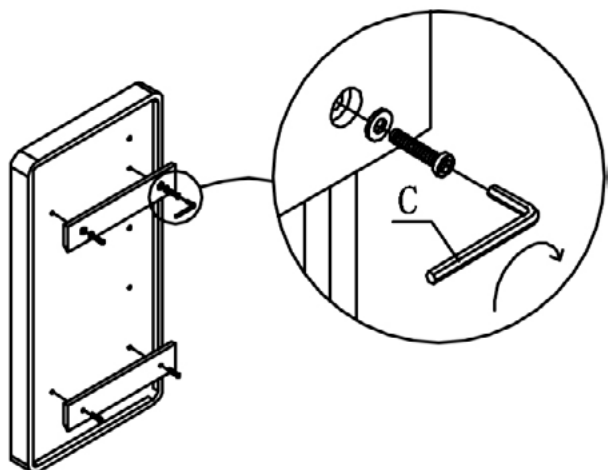


FIG.
3

NOTE: ①This mirror can be hanged either vertically or horizontally.
②This instruction is only for verrical hanging.

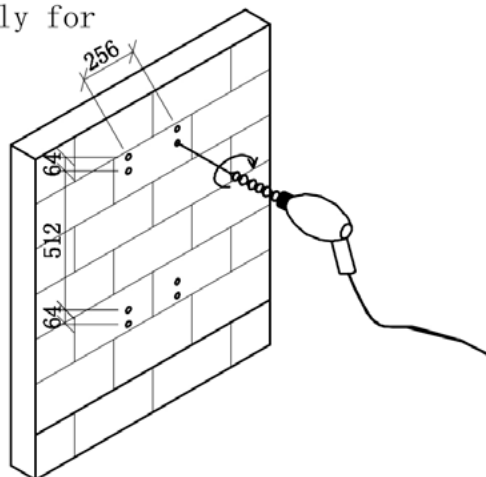


FIG.
4

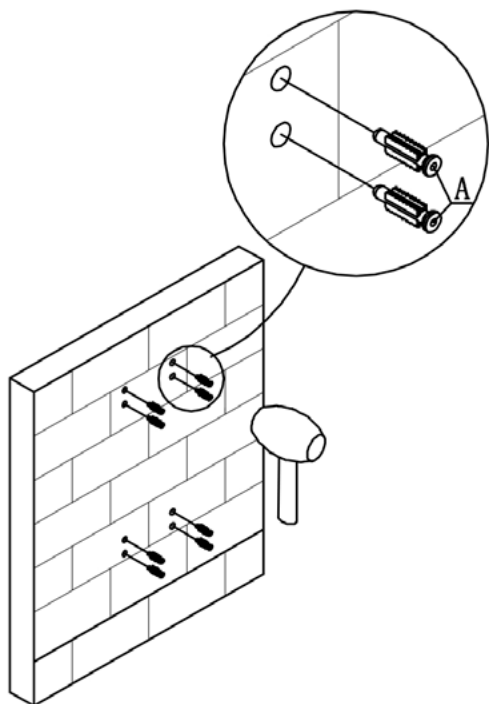


FIG.
5

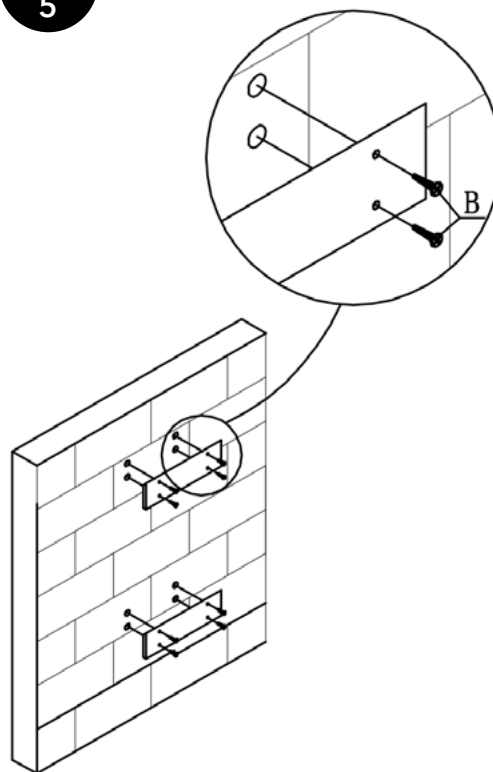


FIG.
6

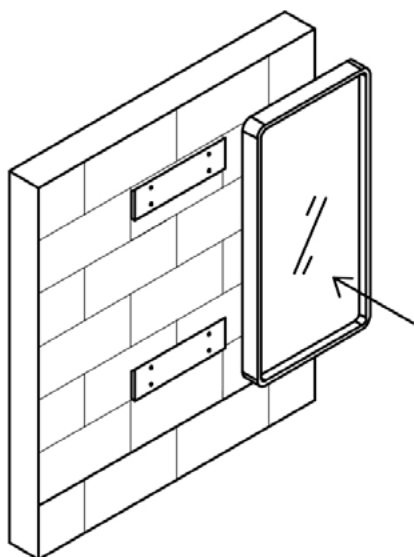


FIG.
7

