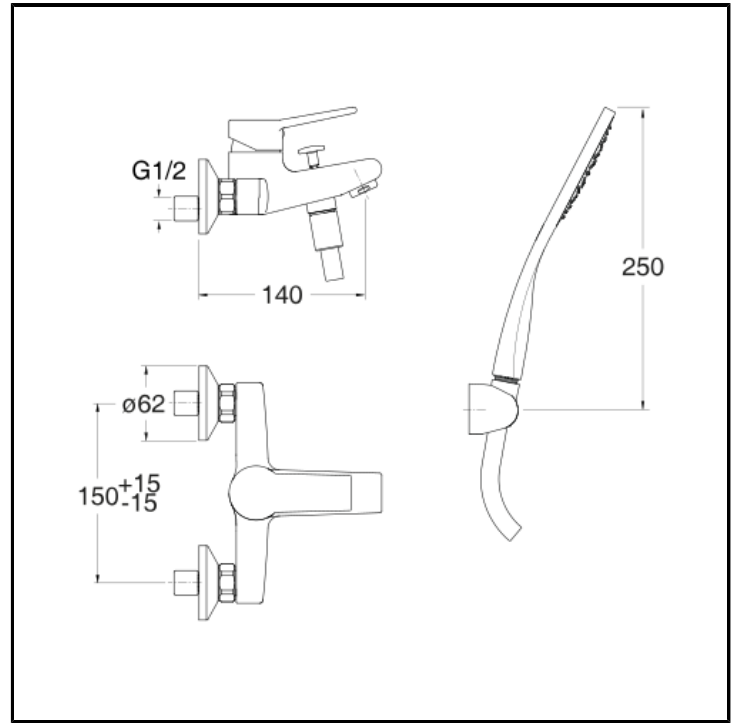


CRIEM100

External bath mixer with C2 cartridge LLC WATER SAVING, LONG LIFE flexible hose and anti-lime hand shower



FINITURE

 Chrome

CHARACTERISTICS

-

FEATURES FROM TECHNOLOGIES

-
-
-
-

COMMAND

- Monocontrol

INSTALLATION

- Wall

TYPOLOGY

-

ENVIRONMENT

- Bathroom

