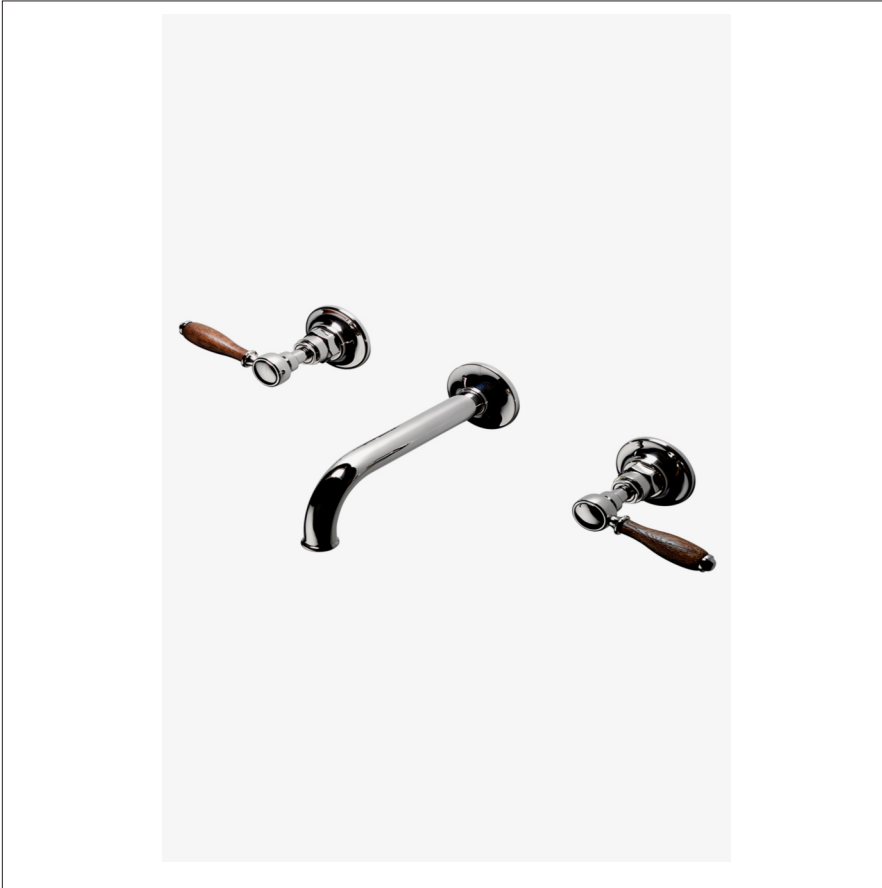


## EASTON

EALS70

Easton Vintage Low Profile Three Hole Wall Mounted Lavatory Faucet with Elongated Spout and Oak Lever Handles



SHOWN IN EASTON VINTAGE LOW PROFILE THREE HOLE WALL MOUNTED LAVATORY FAUCET WITH ELONGATED SPOUT

### TECHNICAL DETAILS

ADA Compliance: Yes  
Drain Assembly Materials: Brass  
Drain Depth Maximum: 2 3/4"  
Drain Hole Diameter: 1 3/4"  
Fittings Hole Diameter: 1 3/8"  
Handle Spread Maximum: 8"  
Handle Spread Minimum: 8.3"  
Handle Turn Angle: Quarter Turn  
Index Color / Finish and Material: White Porcelain  
Depth / Width: 6 1/2"  
Drain Depth Minimum: 1"  
Height: 3"  
Inlet Connection Size: 1/2"  
Inlet Connection Type: Male NPT  
Installation Type: Wall Mounted  
Length: 15"  
Primary Material: Brass  
Restricted Maximum Flow Rate: 1.2 gpm  
Spout Swivel: N  
Suggested Application: Bath  
Valve Material: Ceramic  
Water Pressure Maximum: 85.0 psi  
Water Pressure Minimum: 20.0 psi  
Water Pressure Recommended: 45.0 psi

### INSPIRATION

Drawing on Edwardian style, Easton is the most extensive Waterworks family; a range of moods and a selection of products from fittings to furniture.

### CODES & STANDARDS

Code # EALS70: CEC

### PRODUCT FEATURES

Available in 1.2gpm (4.5L/min) flow rate

### CERTIFICATIONS



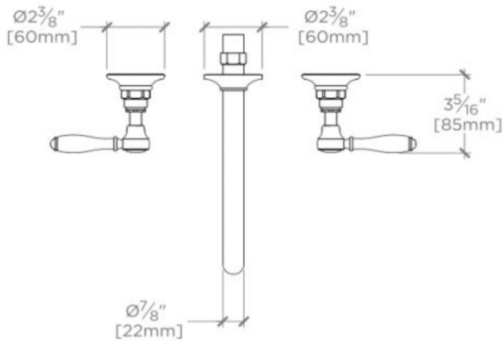
### PRODUCT (NOTES)

Sold with European style drain; USA style drain sold separately for use with non-Waterworks sinks.

## EASTON

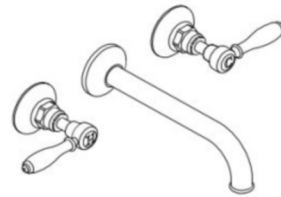
## EALS70

Easton Vintage Low Profile Three Hole Wall Mounted Lavatory  
Faucet with Elongated Spout and Oak Lever Handles



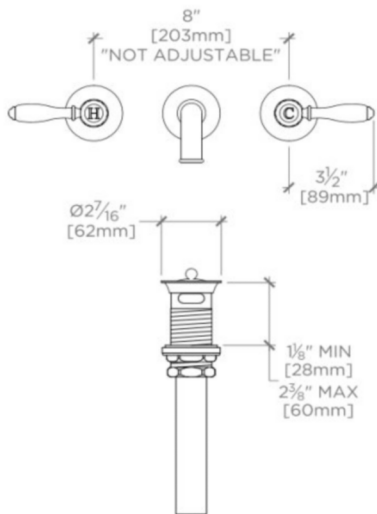
TOP VIEW

SCALE: 1/2"=1'-0"



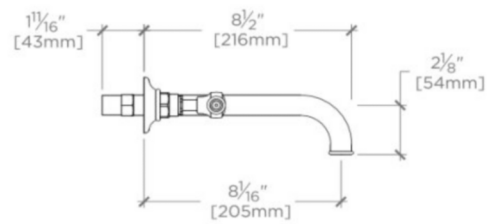
ISO VIEW

SCALE: 1/2"=1'-0"



FRONT VIEW

SCALE: 1/2"=1'-0"



SIDE VIEW

SCALE: 1/2"=1'-0"

