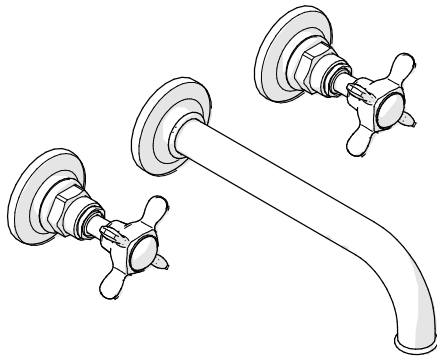
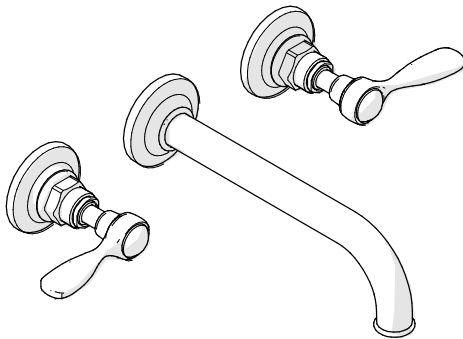


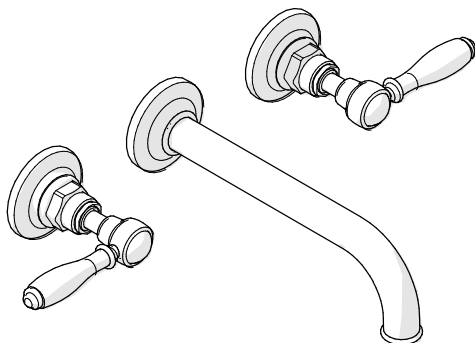
STYLE No. EALS66 (with Metal Cross Handles)



STYLE No. EALS67 (with Metal Lever Handles)



STYLE No. EALS68 (with White Porcelain Lever Handles)
EALS69 (with Black Porcelain Lever Handles)
EALS70 (with Oak Lever Handles)



SPECIFICATIONS:

Control Valve Rough-in Depth Minimum: 2-1/2" [64mm]
 Drain Depth Maximum: 2-3/4" [70mm]
 Drain Hole Diameter: Ø1-3/4" [44mm]
 Drain Style: Lift and Turn (Drain Included)
 Fittings Hole Diameter: Ø1-3/8" [35mm]
 Handle Spread: 8" [203mm] (NOT ADJUSTABLE)
 Inlet Connection: 1/2" Male NPT
 Restricted Maximum Flow Rate: 2.2gpm [8.3L/min]
 Spout Reach Maximum: 8-1/16" [205mm]
 Water Pressure Minimum: 20psi [1.5 bar]
 Water Pressure Maximum: 85psi [6.0 bar]
 Water Pressure Recommended: 45psi [3.0 bar]

REQUIRED PLUMBING DETAILS:

Universal Lavatory Wall Mounted Rough Valve

STYLE No. GULV25 (Use with Lever Handle) or,
 Universal Lavatory Wall Mounted Rough Valve
STYLE No. GULV27 (Use with Cross Handle)

IMPORTANT:

- To ensure this product is installed properly, you must read and follow these guidelines.
- The owner/user of this product must keep this information for future reference.
- This product must be installed by a professional licensed contractor. Be sure your installation conforms to all federal, state, and local codes. In the State of Massachusetts, all installations must comply with the rules and regulations set forth within 248 CMR.
- This product must be on-site prior to rough-in. This allows the installer to visualize the installation, verify the 8" center spread and check deck and sink measurements to assure the spout projects far enough into the sink.
- Refer to the specification and assembly drawings attached. Product is sold partially assembled but shown fully disassembled for illustrative and service purposes only.
- Inspect the product to ensure you have all the parts required for proper installation. Use only a strap wrench or protected/smooth-jaw wrench on any finished surface.
- The use of certain plumber's putty may stain stone or tile surfaces.

HANDLE INSTALLATION:

1. Remove the TILE GUARDS and the O-RINGS from the VALVE as shown in Figure - 01.

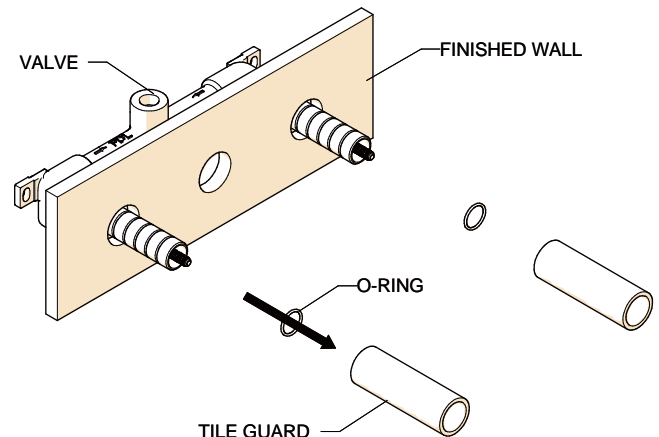


FIGURE - 01

- See Figure - 02 for Steps 2 - 3.

These guidelines have been prepared for the professional contractor to aid in the installation of:
 EASTON VINTAGE WALL MOUNTED LAVATORY FAUCET WITH METAL CROSS HANDLES (STYLE No. EALS66),
 METAL LEVER HANDLES (STYLE No. EALS67), WHITE PORCELAIN LEVER HANDLES (STYLE No. EALS68),
 BLACK PORCELAIN LEVER HANDLES (STYLE No. EALS69) & OAK LEVER HANDLES (STYLE No. EALS70).
 All dimensions are based on original specification and are subject to change and variation.
 Please consult your Design Associate for current specifications.

| DIMENSION | VALUE (INCHES) |
|-----------|----------------|
| A | 1-3/4" |
| B | 7/8" |

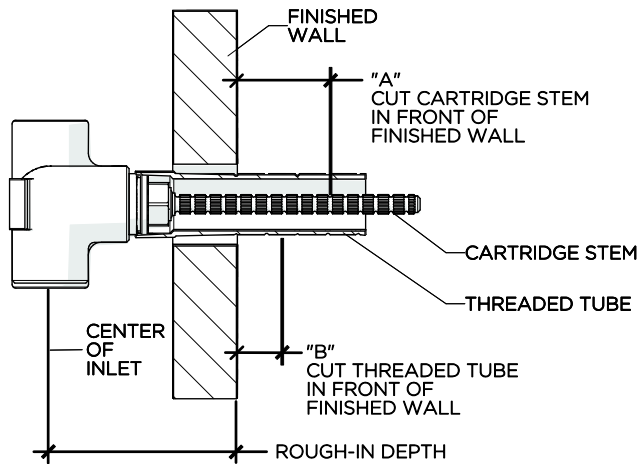


FIGURE - 02

2. Mark the THREADED TUBE as shown then remove and cut the TUBE. Mark the CARTRIDGE STEM as shown then remove the CARTRIDGE and cut the STEM.
 3. Thread and securely tighten the CARTRIDGE back into the VALVE and then thread the TUBE back onto the CARTRIDGE.
- See Figure - 03 for Steps 4 - 6.

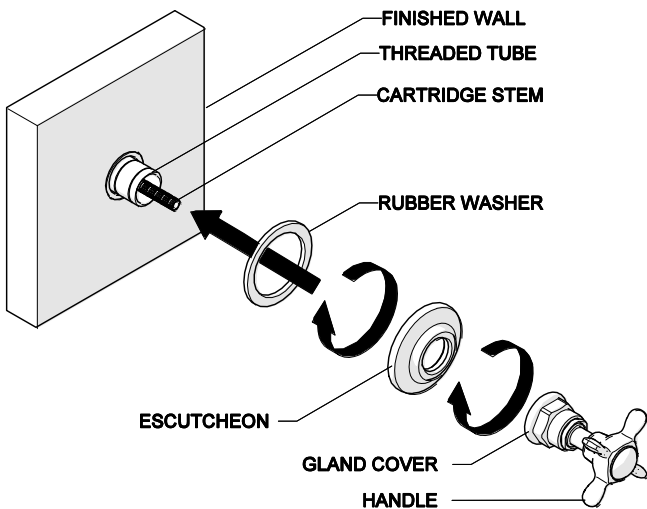


FIGURE - 03

4. Thread the ESCUTCHEON onto the THREADED TUBE making sure to include the RUBBER WASHER and securely tighten.
- **NOTE:** A RUBBER WASHER for the ESCUTCHEON is provided. If desired, a bead of caulk or a clear silicone may be applied where the ESCUTCHEON contacts the finished wall. The use of certain plumber's putty may

stain stone or tile surfaces.

5. Place the HANDLE over the CARTRIDGE STEM in the desired orientation then thread the GLAND COVER onto the THREADED TUBE until it contacts the ESCUTCHEON and securely tighten.
6. Repeat Step 2 - 5 to install the second HANDLE.

SPOUT INSTALLATION:

7. Thread the SPOUT ADAPTER into the VALVE making sure that the RUBBER WASHER is fully inserted into the ADAPTER then securely tighten using a 3/8" hex key.
- **NOTE:** The rough-in depth can affect the projection of SPOUT. If necessary, the SPOUT projection can be extended by using a NIPPLE (not included) of appropriate length and a COUPLING (not included).

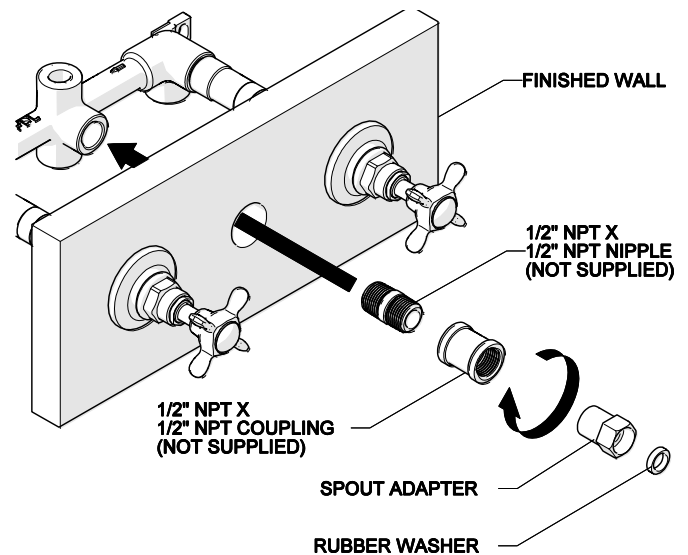


FIGURE - 04

8. Ensure the front face of the SPOUT ADAPTER is a minimum of 7/16" from the surface of the finished wall as shown in Figure - 05.

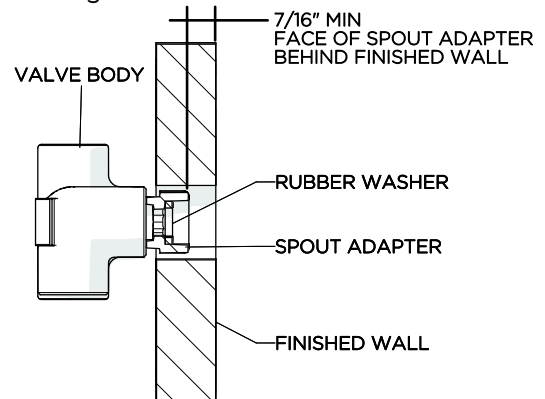


FIGURE - 05

These guidelines have been prepared for the professional contractor to aid in the installation of:
EASTON VINTAGE WALL MOUNTED LAVATORY FAUCET WITH METAL CROSS HANDLES (STYLE No. EALS66),
METAL LEVER HANDLES (STYLE No. EALS67), WHITE PORCELAIN LEVER HANDLES (STYLE No. EALS68),
BLACK PORCELAIN LEVER HANDLES (STYLE No. EALS69) & OAK LEVER HANDLES (STYLE No. EALS70).
All dimensions are based on original specification and are subject to change and variation.
Please consult your Design Associate for current specifications.

WATERWORKS

9. Slide the ESCUTCHEON onto the SPOUT making sure to include the RUBBER WASHER then thread the SPOUT into the SPOUT ADAPTER. See Figure - 06.
- **NOTE:** The ESCUTCHEON has an internal O-RING and a 2.2gpm AERATOR is located inside the SPOUT.

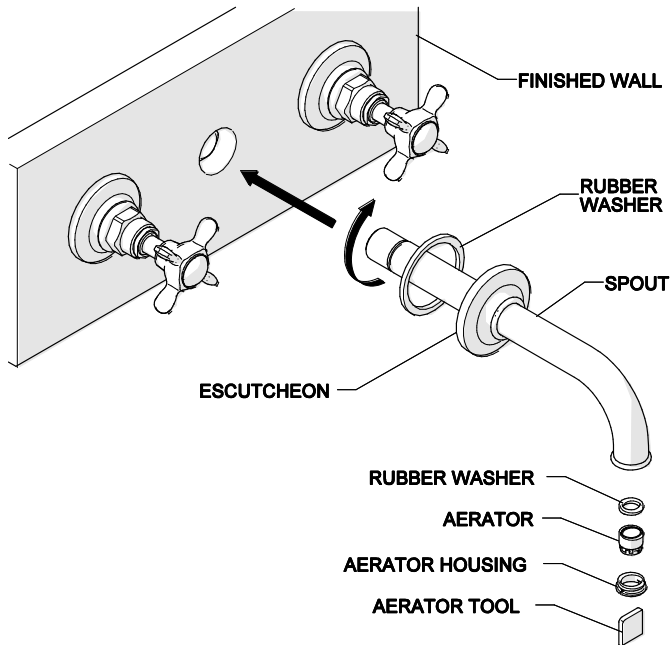


FIGURE - 06

DRAIN INSTALLATION:

- See Figure - 07 for Steps 10 - 13.

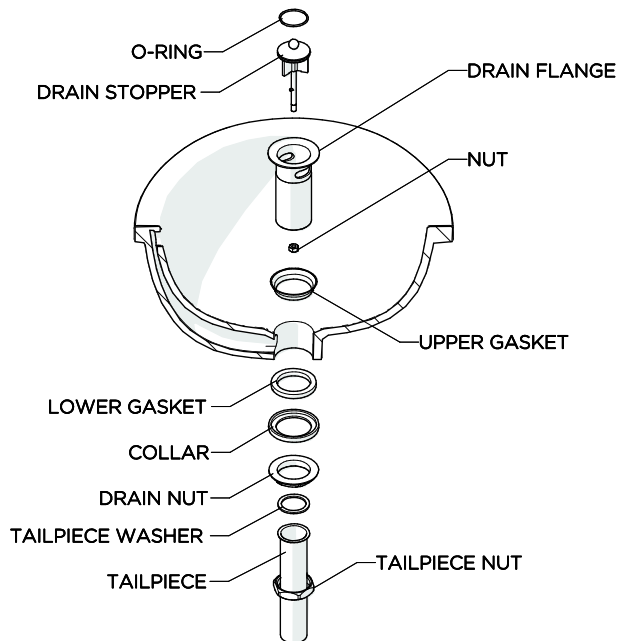


FIGURE - 07

- The use of certain plumber's putty may stain stone or tile surfaces.
10. Disassemble the DRAIN and discard the UPPER GASKET.
11. Set the DRAIN FLANGE in the drain opening using putty or a clear adhesive silicone.
12. Place the LOWER GASKET and COLLAR back onto the FLANGE then thread and securely tighten the NUT to secure the FLANGE to the lavatory.
- **NOTE:** Ensure the GASKET makes a full seal on the underside of the lavatory. Putty or a clear adhesive may be used to ensure a water-tight seal between the RUBBER GASKET and lavatory.
13. Re-install the TAILPIECE using the WASHER and NUT then connect it to the p-trap (sold separately).

INSPECT AND FINISH THE INSTALLATION:

14. Remove the AERATOR using the TOOL provided then turn on the water supply to flush out any debris in the supply lines. Operate the HANDLES to ensure they are functioning properly.
15. Inspect all connections for leaks.
16. Close the DRAIN and fill the lavatory with water to make sure the DRAIN STOPPER and GASKETS operate and seal properly.
17. Turn off the water and re-install the AERATOR.
18. Slide the ESCUTCHEON on the SPOUT down until it contacts the finished wall.
- **NOTE:** A RUBBER WASHER for the ESCUTCHEON is provided. If desired, a bead of caulk or a clear silicone may be applied where the ESCUTCHEON contacts the finished wall. The use of certain plumber's putty may stain stone or tile surfaces.
- If further assistance is required, please contact Product Support at 1-800-927-2120 Monday through Friday, 8am - 7pm EST.
- Refer to the separate Service Parts Documents for available replacement parts.