

EASTON

EAPB84

Easton Classic Pressure Balance Control Valve Trim with Black Porcelain Lever Handle



SHOWN IN EASTON CLASSIC PRESSURE BALANCE CONTROL VALVE TRIM WITH BLACK PORCELAIN LEVER HANDLE| EAPB84

TECHNICAL DETAILS

ADA Compliance: Yes
Control Valve Rough-in Depth Maximum: 3"
Control Valve Rough-in Depth Minimum: 2 1/4"
Diverter Valve Rough-in Depth Maximum: 3.76"
Diverter Valve Rough-in Depth Minimum: 2.83"
Index Color / Finish and Material: White Porcelain
Integrated Diverter: N
Primary Material: Brass
Suggested Application: Bath

INSPIRATION

Drawing on Edwardian style, Easton is the most extensive Waterworks family; a range of moods and a selection of products from fittings to furniture.

CODES & STANDARDS

Code # EASV84: ASME A112.18.1, CSA B125, IAPMO

PRODUCT FEATURES

Brass metal is used for all trim and valve components.

The manufacturing process encompasses casting, turning, forging, hand-fitting and hand polishing.

Easton is our most comprehensive fittings family.

Easton has a clean-lined utilitarian profile, with a slightly elongated spout.

CERTIFICATIONS



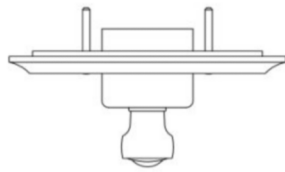
PRODUCT (NOTES)

Valve sold separately.

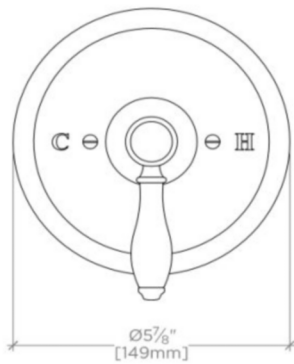
EASTON

EAPB84

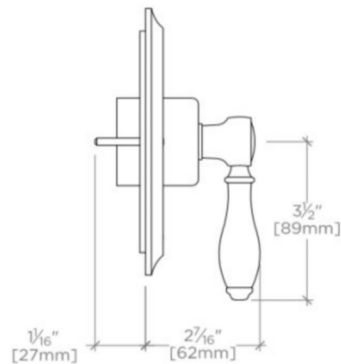
Easton Classic Pressure Balance Control Valve Trim with Black
Porcelain Lever Handle



TOP VIEW SCALE: 3"=1'-0"



FRONT VIEW SCALE: 3"=1'-0"



SIDE VIEW SCALE: 3"=1'-0"