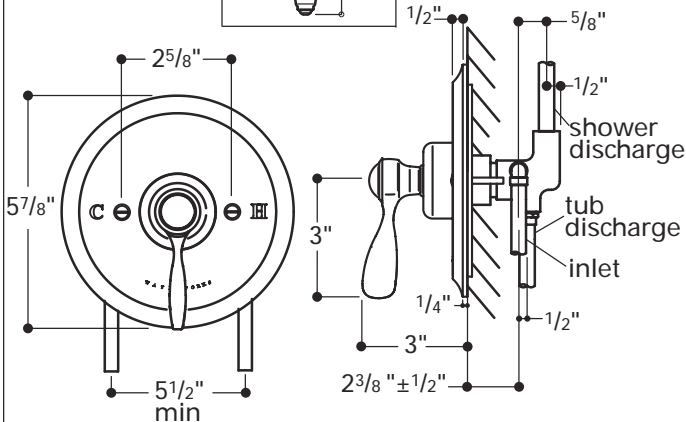
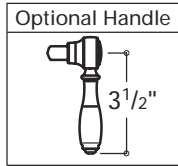


EASV82-K (trim)(metal lever handle) + **GUSV81R** (rough)
EASV83-K (trim)(white porcelain lever handle) + **GUSV81R** (rough)
EASV84-K (trim)(black porcelain lever handle) + **GUSV81R** (rough)
EASV85-K (trim)(oak lever handle) + **GUSV81R** (rough)



Notes:

- ï Ideal operating pressure: 40-50 PSI
- ï Maximum static pressure: 80 PSI
- ï Rough in depth: 2 3/8" ± 1/2"
- ï Supply lines: 1/2" copper, 5 1/2" spread

- This valve should be on-site prior to rough in which allows the installer to visualize the installation.
- Inspect this product to assure you have all parts required for proper installation.
- Check incoming water pressure; ideal operating pressure is 40-50 psi. The minimum is 25 psi and the maximum is 80 psi.
- Use only a strap wrench or protected/smooth-jaw wrench on any finished surface.

ROUGH IN:

1. Make sure the valve body is positioned according to valve markings so the inlets are situated with hot piped on the left and cold piped on the right.
2. Remove and discard the wall mounting flange(T-177) located beneath the tile shield. The dome cover(T-19) included will not be used during the installation.
3. **REQUIRED:** Valve body rough-in depth is 2 3/8" ± 1/2" from the centerline of the supplies/inlets to the face of the finished wall. Install so the back side of the plaster shield contacts the finished wall as indicated on the shield and shown in Figure 1.
4. Run 1/2" copper supply lines with a 5 1/2" center spread to the proper height of the valve inlets and be sure to secure all piping and fittings.
5. Turn on the hot and cold supplies and then check for leaks.

VALVE OPERATION:

6. When the finished wall is complete, turn on the hot and cold supplies and pull off the tile shield(T-176) and discard. Both supplies must be on or the valve will not operate.
7. The handle(5) is for controlling temperature only, not volume. Install the handle so it rests at 6 o'clock in the OFF position and then turn the handle counter clockwise through the cold position and then warm and stopping at the hot position. If additional rotational friction is required to maintain the handle position, tighten the packing nut(T-17).
8. Allow the valve to run in warm position for a few minutes to completely flush the system. If system is quite dirty, remove valve spindle to ensure proper flushing.
9. **IMPORTANT:** This valve is equipped with a limit stop screw(T-34) to be used to limit the valve handle from being turned to excessively hot water discharge temperatures.
10. Setting the limit stop screw: Open the valve to the maximum desired temperature and then turn the limit stop screw(T-34) in until it seats.

IMPORTANT:

- To ensure this product is installed properly, you must read and follow these guidelines.
- The owner/user of this valve must keep this information for future reference.
- The risk of scalding exists until the installer has properly set the temperature high limit stop.
- This valve can be used as a tub/shower combination or as a shower valve only. Do NOT substitute other accessories such as a hand shower for the tub spout.
- This product must be installed by a professional contractor and conform to all applicable codes.
- Refer to the specification and assembly drawings attached. Valves are sold partially assembled but shown fully disassembled for illustrative and service purposes only.
- If soldering any connections, remove cartridge to prevent damage to seals.

9.14.07 These guidelines have been prepared for the professional contractor to aid in the installation of: **EASTON® PRESSURE BALANCE(EASV82-K,83-K,84-K,85-K-TRIM + GUSV81R ROUGH)**

All dimensions are based on original specifications and are subject to change and variation. Please consult your Design Associate for current specifications.

- 11. WARNING: FAILURE TO ADJUST THE LIMIT STOP SCREW PROPERLY MAY RESULT IN SERIOUS SCALDING.
- 12. WARNING: THIS SHOWER SYSTEM MAY NOT PROTECT THE USER FROM SCALDING WHEN THERE IS A FAILURE OF OTHER TEMPERATURE CONTROLLING DEVICES ELSEWHERE IN THE PLUMBING SYSTEM.

INSTALL THE TRIM:

- 13. Slide the trim plate assembly(9-10a) over the valve stem and secure it against the wall using the screws(6) provided. If desired, a bead of clear silicone can be applied to the back side of the trim plate(10,10a).
 - 14. Apply a small amount of lubricant to the o-ring(9) and then hand tighten the dome cover(8) completely down onto the spindle(TA-10).
 - 15. Slide the handle trim spacer(7) onto the valve stem and then attach the handle(5) using the screw provided(4).
 - 16. Thread the index retainer(3) into the handle and then attach the index(1) to the retainer using the adhesive pad(2).
 - 17. Open the valve and confirm the temperature setting, adjust as required. To remove the index that is attached using the adhesive pad, place your palm against the index and unthread the index assembly(1-3).
- If further assistance is required, please contact Product Support at 1-800-927-2120 (8am-7pm EST).

9.14.07

These guidelines have been prepared for the professional contractor to aid in the installation of:
EASTON® PRESSURE BALANCE(EASV82-K,83-K,84-K,85-K-TRIM + GUSV81R ROUGH)

All dimensions are based on original specifications and are subject to change and variation. Please consult your Design Associate for current specifications.

W A T E R W O R K S®

