

Hand shower set with individual rosettes with volume control - Chrome

IMO

27 809 980



Fits: IMO, MEM, CL.1, CYO

- COMPACT RAIN, max. flow rate 15 l/min (at 3 bar)
- with volume control
- with anti-scale system
- 3/8" shower outlet
- rosette for wall elbow 60 x 60mm
- rosette for shower holder 60 x 60mm
- metal shower hose 1250mm with integrated anti-twist protection
- 1/2" wall elbow
- WRAS 2207026

Intrinsic protection against back flow.

	Chrome	27 809 980-00
	Chrome	27 809 980-00 0010
	Brushed Platinum	27 809 980-06
	Brushed Platinum	27 809 980-06 0010
	Platinum	27 809 980-08 0010
	Platinum	27 809 980-08
	Dark Chrome	27 809 980-19 0010
	Brushed Light Gold	27 809 980-27 0010
	Brushed Durabrand (23kt Gold)	27 809 980-28 0010
	Brushed Durabrand (23kt Gold)	27 809 980-28
	Brushed Champagne (22kt Gold)	27 809 980-46 0010
	Champagne (22kt Gold)	27 809 980-47 0010
	Brushed Chrome	27 809 980-93 0010
	Brushed Chrome	27 809 980-93
	Brushed Dark Platinum	27 809 980-99
	Brushed Dark Platinum	27 809 980-99 0010

Recommended miscellaneous



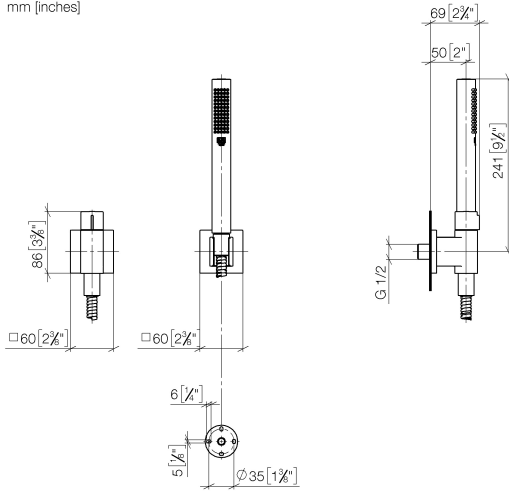
Concealed wall elbow -

35 085 970 90

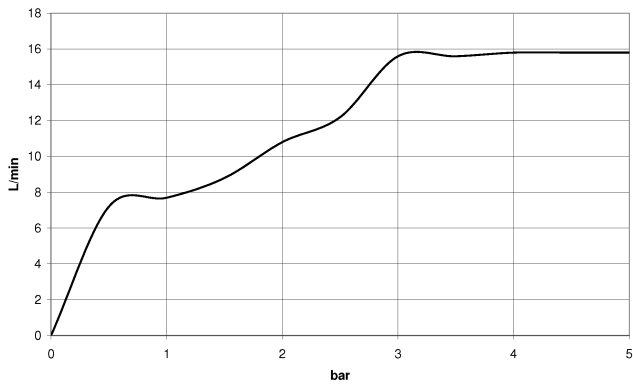
- max. recess depth 163 mm
- min. recess depth 90 mm

27 809 980

mm [inches]



Flow rate chart



Codes & Standards

DIN 4109

EN 1717

ISO 3822

Scottish Water
Byelaws

UK Water Supply
Regulations

Ü-Zeichen



Hand shower set with individual rosettes with volume control - Chrome

IMO

27 809 980

Certificates

LGA_29

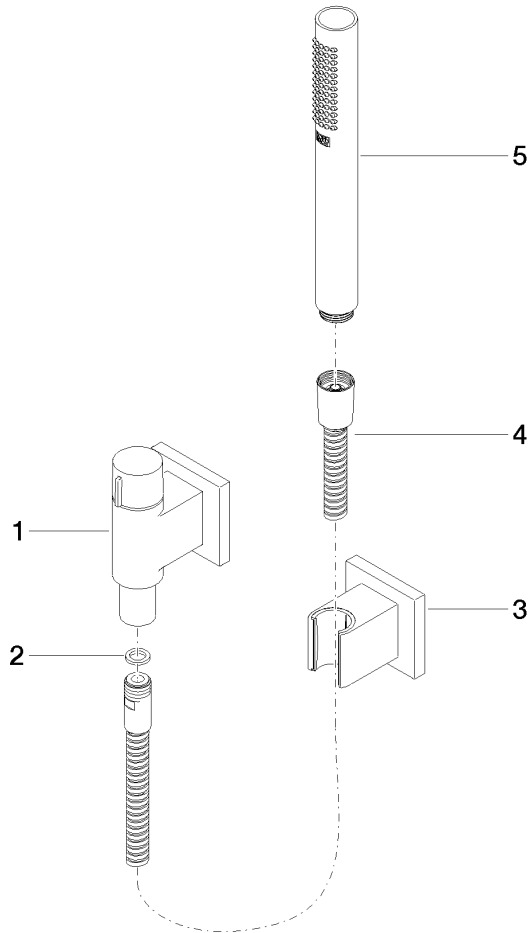
WRAS_2207

Belgaqua_22_280_2

27 809 980

Product version up to 6/3/2020

Product version from 6/3/2020





Hand shower set with individual rosettes with volume control - Chrome

IMO

27 809 980

Spare parts list

Product version up to 6/3/2020

Product version from 6/3/2020

No.	Item Number	Name	Quantity used	Delivery time
	28 451 980-00	connection	5	60