

## EASTON

## EAPB85

Easton Classic Pressure Balance Control Valve Trim with Oak Lever Handle



SHOWN IN EASTON CLASSIC PRESSURE BALANCE CONTROL VALVE TRIM WITH OAK LEVER HANDLE | EAPB85

### TECHNICAL DETAILS

ADA Compliance: Yes  
Control Valve Rough-in Depth Maximum: 3"  
Control Valve Rough-in Depth Minimum: 2 1/4"  
Diverter Valve Rough-in Depth Maximum: 3.76"  
Diverter Valve Rough-in Depth Minimum: 2.83"  
Index Color / Finish and Material: White Porcelain  
Integrated Diverter: N  
Primary Material: Brass  
Suggested Application: Bath

### INSPIRATION

Drawing on Edwardian style, Easton is the most extensive Waterworks family; a range of moods and a selection of products from fittings to furniture.

### CODES & STANDARDS

Code # EASV85: ASME A112.18.1, CSA B125, IAPMO

### PRODUCT FEATURES

Brass metal is used for all trim and valve components.  
The manufacturing process encompasses casting, turning, forging, hand-fitting and hand polishing.  
Easton is our most comprehensive fittings family.  
Easton has a clean-lined utilitarian profile, with a slightly elongated spout.

### CERTIFICATIONS



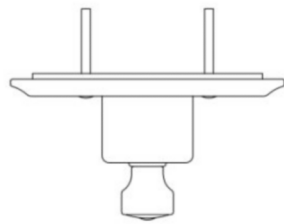
### PRODUCT (NOTES)

Valve sold separately.

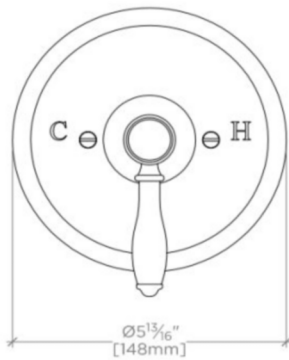
## EASTON

EAPB85

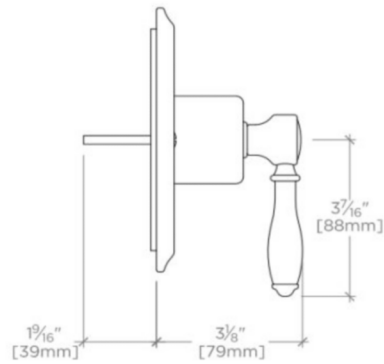
Easton Classic Pressure Balance Control Valve Trim with Oak Lever Handle



TOP VIEW SCALE: 3"=1'-0"



FRONT VIEW SCALE: 3"=1'-0"



SIDE VIEW SCALE: 3"=1'-0"