

EASTON

EAPB92

Easton Classic Pressure Balance with Diverter Trim with Metal Lever Handle



SHOWN IN EASTON CLASSIC PRESSURE BALANCE WITH DIVERTER TRIM WITH METAL LEVER HANDLE| EAPB92

TECHNICAL DETAILS

ADA Compliance: Yes
Control Valve Rough-in Depth Maximum: 3"
Control Valve Rough-in Depth Minimum: 2 1/4"
Diverter Valve Rough-in Depth Maximum: 3.76"
Diverter Valve Rough-in Depth Minimum: 2.83"
Escutcheon Primary Material: brass
Index Color / Finish and Material: White Porcelain
Depth / Width: 3"
Height: 6"
Index Marking: Blank
Integrated Diverter: Y
Length: 5 7/8"
Number of Handles: One
Primary Material: Brass
Suggested Application: Bath

INSPIRATION

Drawing on Edwardian style, Easton is the most extensive Waterworks family; a range of moods and a selection of products from fittings to furniture.

CODES & STANDARDS

Code # EASV92: ASME A112.18.1, CSA B125, IAPMO

PRODUCT FEATURES

Brass metal is used for all trim and valve components

The manufacturing process encompasses casting, turning, forging, hand-fitting and hand polishing.

Easton is our most comprehensive fittings family.

Easton has a clean-lined utilitarian profile, with a slightly elongated spout.

CERTIFICATIONS



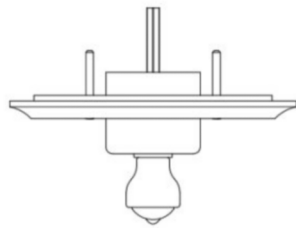
PRODUCT (NOTES)

Valve sold separately.

EASTON

EAPB92

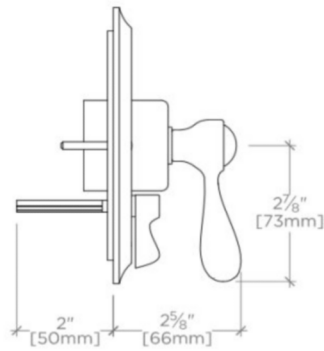
Easton Classic Pressure Balance with Diverter Trim with Metal Lever Handle



TOP VIEW SCALE: 3"=1'-0"



FRONT VIEW SCALE: 3"=1'-0"



SIDE VIEW SCALE: 3"=1'-0"