



see what Delta can do™

TUB AND SHOWER FAUCET TRIM

■ Tub/Shower (T13420 Series)

FEATURES:

- Monitor® 13 Series pressure balanced bath mixing valve trim
- "H2O" models include H₂Okinetic® Technology showerhead

STANDARD SPECIFICATIONS:

- Maintains a balanced pressure of hot and cold water even when a valve is turned on or off elsewhere in the system.
- For use with MultiChoice® Universal rough valve body. (R10000 Series)
- Back-to-back installation capability.
- Solid brass forged body.
- Temperature only controlled with metal lever handle.
- Field adjustable to limit handle rotation into hot water zone.
- 120° maximum handle rotation.
- All parts replaceable from the front of the valve.
- Models with "PD" suffix supplied with 6" long pull-down diverter spout (RP101818).
- Stem extension kit RP77991 can be ordered to allow for an additional 1 3/4" wall thickness. RP77991 ships with chrome escutcheon screws. For special finishes also order RP12630 escutcheon screws in desired finish.
- Shower head max flow rate 1.5 gpm @ 80 psi, 5.7 L/min @ 550 kPa (T13420-H₂OT)
- Shower head max flow rate 1.75 gpm @ 80 psi, 6.6 L/min @ 550 kPa (T13420, T13420-PD, T13420-SHC)
- Tub port max flow rate 8.6 gpm @ 60 psi with R10000-UNBX
- Universal tub spout adapter included allows for thread, sweat or slip-on installation
- **Note:** Product will be marked with flow rate of specific shower head

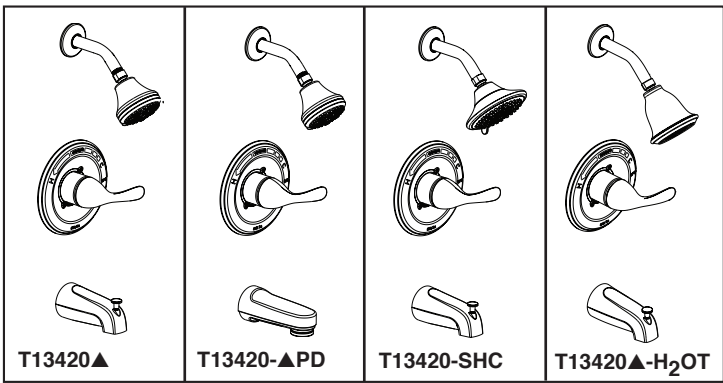
WARRANTY

- Parts and Finish - Lifetime limited warranty; or for commercial purchasers, 10 years for multi-family residential (apartments and condominiums) and 5 years for all other commercial uses, in each case from the date of purchase.
- Electronic Parts and Batteries (if applicable) - 5 years from the date of purchase; or for commercial purchasers, 1 year from the date of purchase. No warranty is provided on batteries.



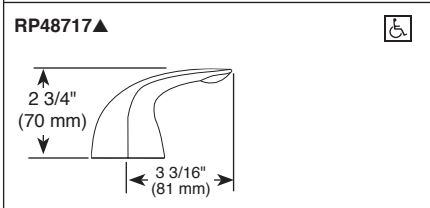
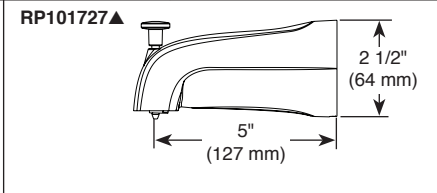
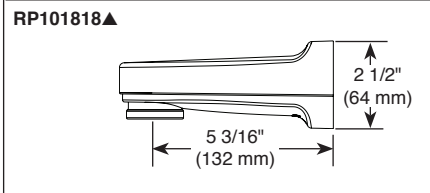
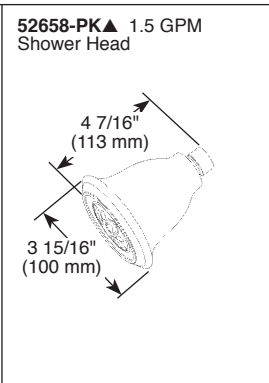
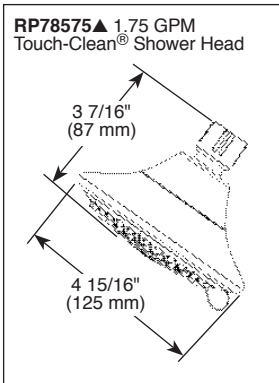
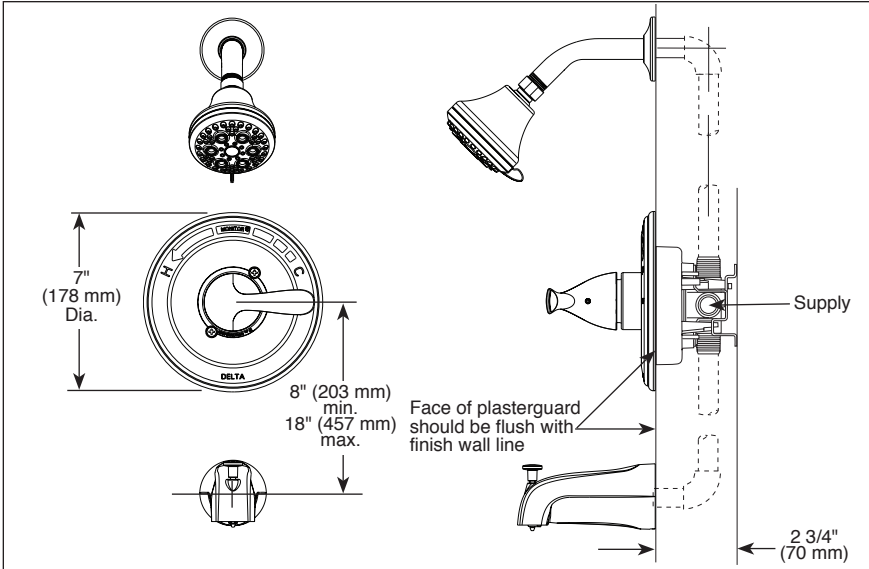
COMPLIES WITH:

- ASME A112.18.1 / CSA B125.1
- ASSE 1016
- Indicates compliance to ICC/ANSI A117.1 - Valve control only
- EPA WaterSense®



Submitted Model No.: _____

Specific Features: _____



▲ Designate Proper Finish Suffix

Delta reserves the right (1) to make changes in specifications and materials, and (2) to change or discontinue models, both without notice or obligation. Dimensions are for reference only. See current full-line price book or www.deltafaucet.com for finish options and product availability.

DSP-B-T13420 Rev. K

Delta Faucet Company

55 E. 111th Street, Indianapolis, IN 46280
350 South Edgeware Road, St. Thomas, ON N5P 4L1
© 2020 Delta Faucet Company