

# PANORA

Natural Stone / Doğal Taş



304 GRADE STAINLESS STEEL  
304 KALİTE PASLANMAZ ÇELİK



NATURAL STONE  
DOĞAL TAŞ



MAX. WORKING PRESSURE 4 BAR  
MAX. ÇALIŞMA BASINCI 4 BAR



HYDRONIC  
MERKEZİ SİSTEM KULLANIMA UYGUN



ELECTRIC HEATING WHEN INSTALLED IN VERTICAL POSITION  
DİKEY MONTAJDA ELEKTRİK KULLANIMA UYGUN

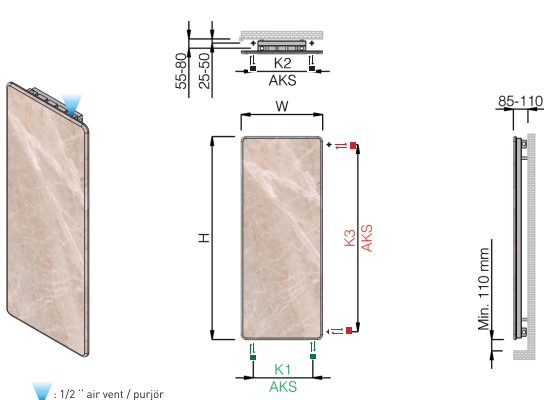


YEARS GUARANTEE  
YIL GARANTİ

Size Ebat mm	(W) Width Genişlik mm	(H) Height Yükseklik mm	(K) Pipe Centers Aks Aralığı mm K1 - K2 - K3	Tube Quantity Boru Sayısı pcs-adet	Weight Ağırlık kg	HEAT CAPACITY / ISIL KAPASİTE	
						$\Delta t = 60^\circ \text{C}$ (85/75/20°C) kcal/h / watt / btu/h	$\Delta t = 50^\circ \text{C}$ (75/65/20°C) kcal/h / watt / btu/h
1220 x 490	490	1220	300-440-1130	6	42	401 / 467 / 1593	312 / 363 / 1239

Black coloured pipe centers are only valid for Scarlet and Tempo valves

VERTICAL / DİKEY



HORIZONTAL / YATAY

