

MIMOSA

AL ALUMINIUM



MAX. OPERATING PRESSURE 10 BAR



5 YEARS WARRANTY

RADIATOR SPECS.

DEPTH FROM THE WALL	: 56-101 mm
RADIATOR DEPTH	: 42.5 mm
RADIATOR WIDTH	: (No of Sections x 75 mm)-5 mm
CONNECTION DIAMETER	: 1/2"
PIPE CENTERS FROM THE WALL	: 30-75 mm (Can be altered up to max. 125 mm on specific requests.)
VERTICAL PIPE CENTER / (C2)	: Radiator Height-40 mm
HORIZONTAL PIPE CENTER / (C1)	: Radiator Width+90 mm
(Valid for Tempo valves. "+90" value will vary for different valves)	

SECTION SPECS.

SECTION WIDTH
75 mm

HEIGHT mm	VERTICAL PIPE CENTER (C2) mm	HEAT CAPACITY PER SECTION ΔT = 30 (20°C)			HEAT CAPACITY PER SECTION ΔT = 50 (20°C)			HEATED SURFACE PER SECTION m ²	VOLUME PER SECTION L	WEIGHT PER SECTION kg
		btu/h	kcal/h	watt	btu/h	kcal/h	watt			
290	250	58	15	17	115	29	34	0.17	0.08	0.49
390	350	74	19	22	148	37	43	0.22	0.10	0.59
450	410	84	21	25	167	42	49	0.25	0.12	0.65
500	460	91	23	27	183	46	54	0.28	0.13	0.70
540	500	98	25	29	195	49	57	0.30	0.13	0.74
600	560	107	27	31	214	54	63	0.33	0.14	0.80
750	710	129	33	38	258	65	76	0.40	0.17	0.95
840	800	142	36	42	284	72	83	0.45	0.19	1.04
900	860	151	38	44	301	76	88	0.48	0.20	1.10
1000	960	165	41	48	330	83	97	0.53	0.22	1.20
1250	1210	199	50	58	398	100	117	0.65	0.27	1.46
1500	1460	232	59	68	465	117	136	0.78	0.32	1.71
1750	1710	265	67	78	529	133	155	0.90	0.37	1.96
2000	1960	296	75	87	593	149	174	1.03	0.42	2.21
2250	2210	327	82	96	655	165	192	1.15	0.46	2.46

WIDTH PER SECTION

4	5	6	7	8	9	10	11	12	13	14	15	16	17	18	19	20	21	22	23	24	25	26	27	28	29	30	31	32	33	34	35	36	37	38	39	40	No. of Sections
295	370	445	520	595	670	745	820	895	970	1045	1120	1195	1270	1345	1420	1495	1570	1645	1720	1795	1870	1945	2020	2095	2170	2245	2320	2395	2470	2545	2620	2695	2770	2845	2920	2995	(W) Width (mm)
385	460	535	610	685	760	835	910	985	1060	1135	1210	1285	1360	1435	1510	1585	1660	1735	1810	1885	1960	2035	2110	2185	2260	2335	2410	2485	2560	2635	2710	2785	2860	2935	3010	3085	(C1) HORIZONTAL PIPE CENTERS (mm)

STANDARD COLOURS



WHITE
RAL 9016



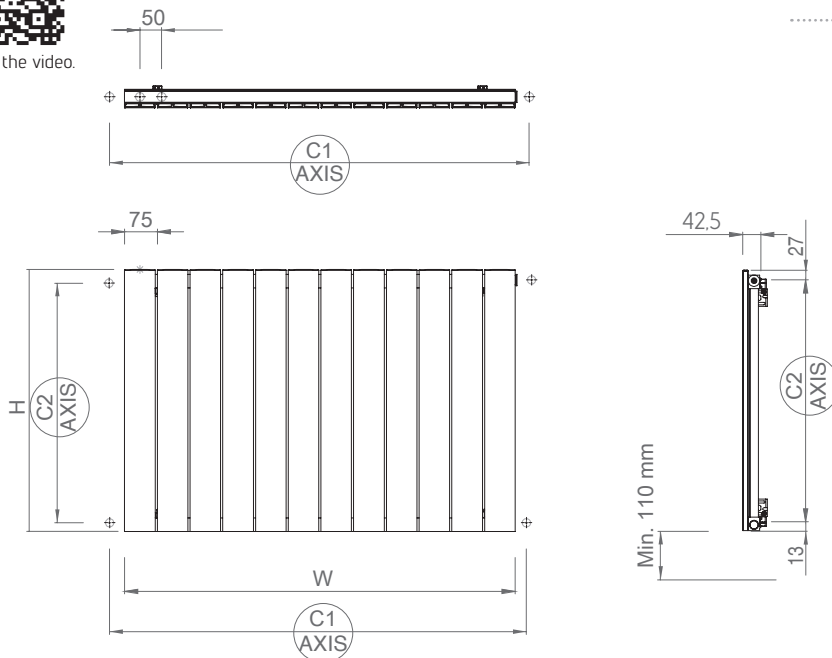
BLACK
RAL 9005

For the installation



Scan and watch the video.

Dimensions



- (C1) HORIZONTAL PIPE CENTER
- (C2) VERTICAL PIPE CENTER
- (H) HEIGHT
- (W) WIDTH



Bracket Distance

