



ALUMINIUM



MAX. OPERATING PRESSURE 10 BAR



5 YEARS WARRANTY

RADIATOR SPECS.

DEPTH FROM THE WALL	: 115-160 mm
RADIATOR DEPTH	: 101.5 mm
RADIATOR WIDTH	: (No of Sections x 41 mm)-1 mm
CONNECTION DIAMETER	: 1/2"
PIPE CENTERS FROM THE WALL	: 30 - 75 mm (Can be altered up to max. 125 mm on specific requests.)
VERTICAL PIPE CENTER / (C2)	: Radiator Height-80 mm
HORIZONTAL PIPE CENTER / (C1)	: Radiator Width+90-4.6 mm
(Valid for Tempo valves. "+90" value will vary for different valves)	

SECTION SPECS.

SECTION WIDTH
41 mm

HEIGHT (H) mm	VERTICAL PIPE CENTER (C2) mm	HEAT CAPACITY PER SECTION $\Delta T = 30 (20^{\circ}C)$			HEAT CAPACITY PER SECTION $\Delta T = 50 (20^{\circ}C)$			HEATED SURFACE PER SECTION m ²	VOLUME PER SECTION L	WEIGHT PER SECTION kg
		btu/h	kcal/h	watt	btu/h	kcal/h	watt			
375	295	61	15	18	120	30	35	0.97	0.06	0.58
450	370	70	18	21	137	35	40	1.00	0.06	0.67
500	420	76	19	22	149	37	44	1.02	0.07	0.73
525	445	79	20	23	154	39	45	1.03	0.07	0.75
600	520	87	22	26	171	43	50	1.06	0.08	0.84
675	595	96	24	28	187	47	55	1.09	0.09	0.93
825	745	111	28	33	218	55	64	1.15	0.10	1.09
900	820	119	30	35	234	59	69	1.18	0.11	1.18
975	895	127	32	37	249	63	73	1.21	0.12	1.27
1075	995	137	35	40	269	68	79	1.25	0.13	1.38
1325	1245	162	41	47	318	80	93	1.36	0.16	1.66
1575	1495	186	47	54	366	92	107	1.46	0.19	1.95
1825	1745	209	53	61	413	104	121	1.56	0.21	2.24
2075	1995	233	59	68	460	116	135	1.67	0.24	2.52

WIDTH PER SECTION

4	5	6	7	8	9	10	11	12	13	14	15	16	17	18	19	20	21	22	23	24	25	26	27	28	29	30	32	34	36	38	40	42	44	46	48	50	No. of Sections
163	204	245	286	327	368	409	450	491	532	573	614	655	696	737	778	819	860	901	942	983	1024	1065	1106	1147	1188	1229	1311	1393	1475	1557	1639	1721	1803	1885	1967	2049	(W) Width (mm)
253	294	335	376	417	458	499	540	581	622	663	704	745	786	827	868	909	950	991	1032	1073	1114	1155	1196	1237	1278	1319	1401	1483	1565	1647	1729	1811	1893	1975	2057	2139	(C1) HORIZONTAL PIPE CENTERS (mm)

STANDARD COLOURS



WHITE
RAL 9016



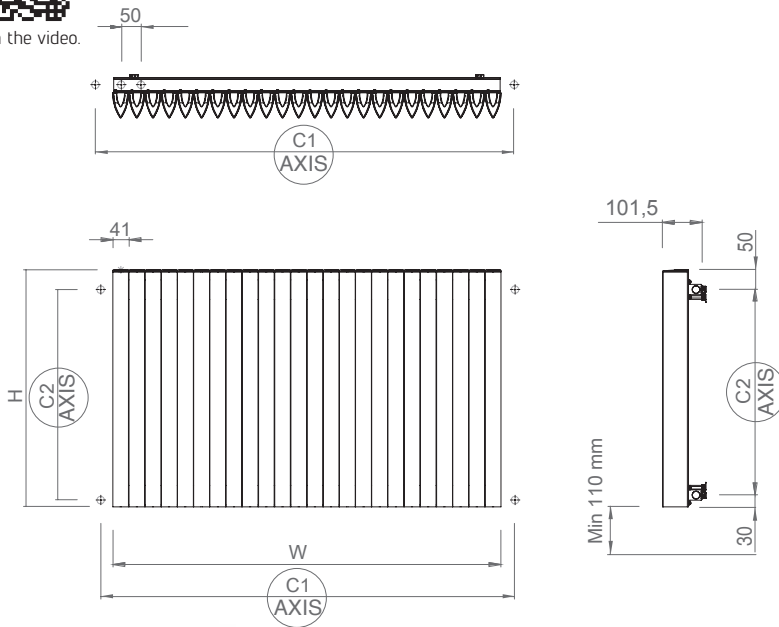
BLACK
RAL 9005

For the installation

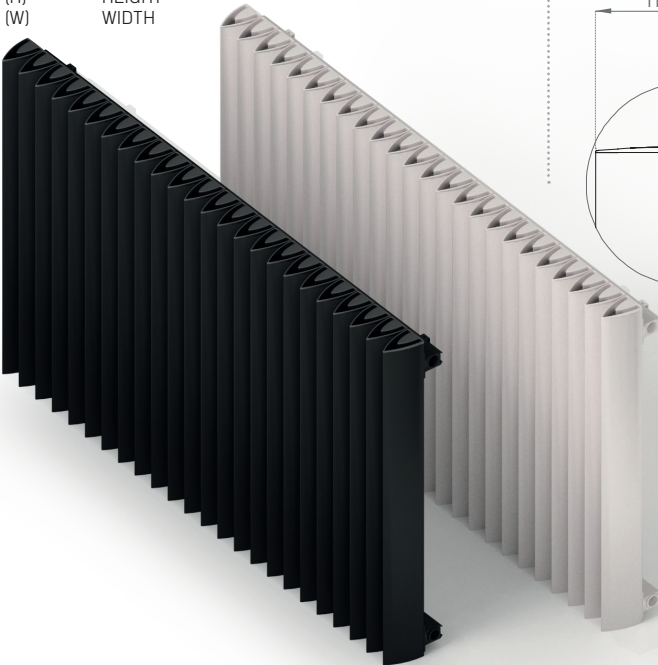


Scan and watch the video.

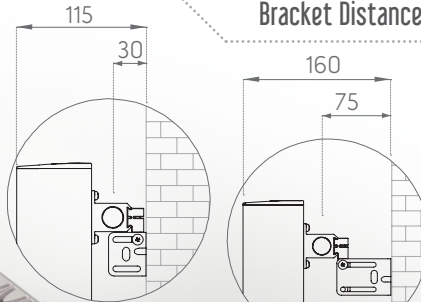
Dimensions



- (C1) HORIZONTAL PIPE CENTER
- (C2) VERTICAL PIPE CENTER
- (H) HEIGHT
- (W) WIDTH

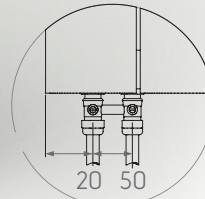


Bracket Distance



Min. distance from the wall

Max. distance from the wall



Compact Ventil