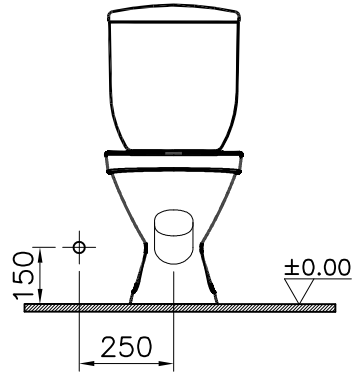
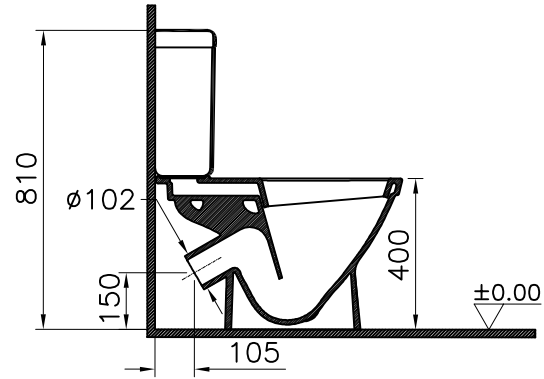
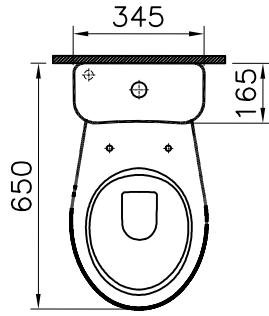


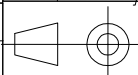
Theoretic Mass(kg)		Revision	
Surface Area(dm <sup>2</sup> )		<b>A4</b>	

Thread	Hole	Shaft



2	1	Cistern	6211-0107	Ceramic	
1	1	Close-coupled WC pan	5823-0075	Ceramic	
item	Quantity	Part Name	Drawing No	Material	Material Class
				Ceramic	Material Class
		Series	Material	Close Coupled	
		Material	Close Coupled		
Drawn By		Controlled By	Approved By	Date	Drawing No
T.TAYAR		N.BALTACI	V.SARIGOL	11.12.2018	5823-6211
				Scale	VitrA <sup>®</sup> ARTEMA <sup>®</sup>
				1/20	

R.S	Description	Date	NAME



This drawing can only be used for the intended purposes. Unauthorized copying is strictly prohibited.

