

MEDINOX

Wall to wall angled bar stainless steel AISI 304



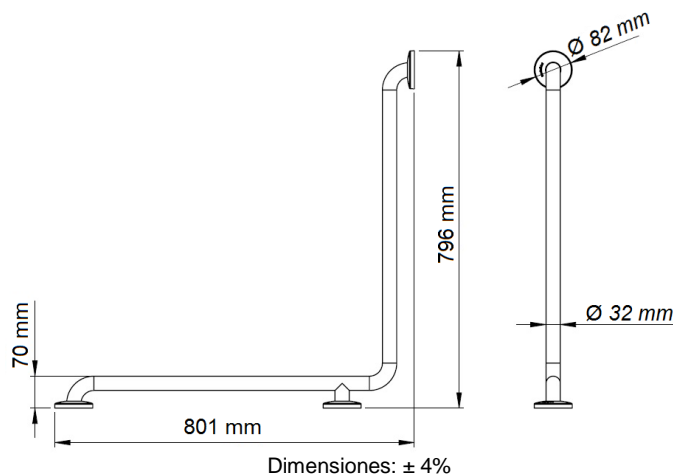
General description

- 90° wall to wall horizontal grab bar for showers, baths and changing rooms, with three anchoring points and with snap flange covers, made with AISI 304 stainless steel tube, folded in an "L" shape at 90°.
- Designed to achieve barrier-free accessibility in bathrooms and public spaces. This grab bar is suitable for specific spaces for the elderly or people with reduced mobility. Model suitable for collectivities.
- AISI 304 stainless steel gives this bar great durability and great resistance to rust.
- The bar has three snap flange covers that conceal the anchoring screws to the wall and reinforce, even more, the beauty of the product once installed.
- Optionally, these bars can be electrically isolated by installing the Electrical Isolation Kit code KA0020.
- Supplied with all the necessary hardware to fix the bar to a brick wall.

Components and materials

- **BD0700C:** 90° wall to wall horizontal grab bar with three anchoring points, made with AISI 304 stainless steel tube bright finish.
- **BD0700CS:** 90° wall to wall horizontal grab bar with three anchoring points, made with AISI 304 stainless steel tube satin finish.
- **TUBING:** made of 32 mm diameter tube, seamless construction. The bending process guarantees the uniformity of the diameter along the bends.
- **CONCEALED MOUNTING FLANGE:** three units made of AISI 304 stainless steel, 3 mm thick. Incorporates two Ø 6.5 mm screws holes for wall mounting.
- **SNAP FLANGE COVER:** three units made of stainless steel AISI 304, 0.8 mm thick and Ø 82 mm. Each cover snaps over mounting flange to conceal mounting screws.

Dimensions

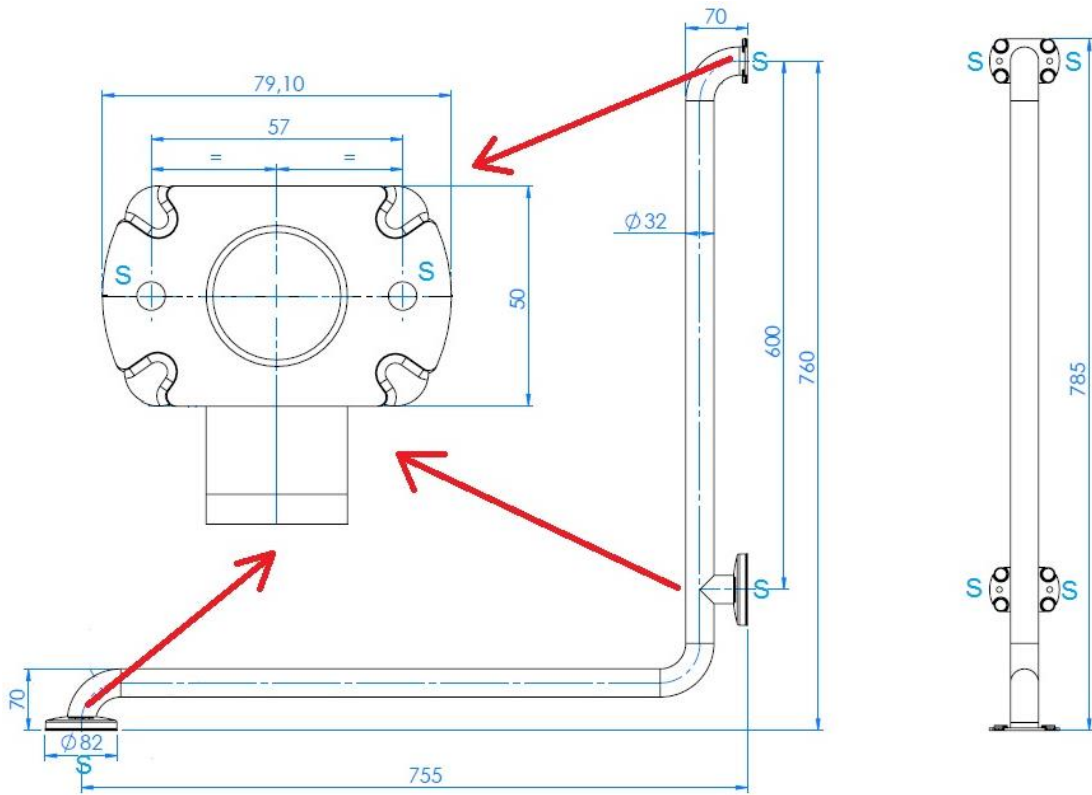


Technical specifications

Dimensions	801 x 82 x 796 mm
Bar diameter	Ø 32mm
Wall flange thickness	3 mm
Snap flange cover diameter	Ø 82 mm
Snap flange cover thickness	0.8 mm

MOUNTING TEMPLATE

Fix the grab bar to the wall through the 2 holes of the wall flange, using the provided screws and taking into account the distances of the points indicated by an "S" in the following figure:



It is recommended to install the grab bar between 700 and 750 mm high from floor.

Mediclinics, S.A., se reserva el derecho a efectuar cambios y/o modificaciones en los productos y sus especificaciones sin previo aviso
Revisión 03-19 © mediclinics S.A.

