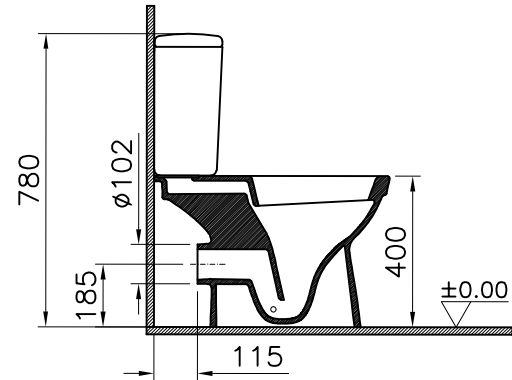
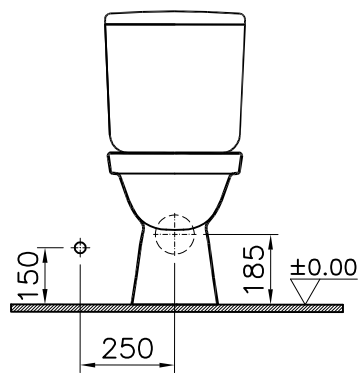
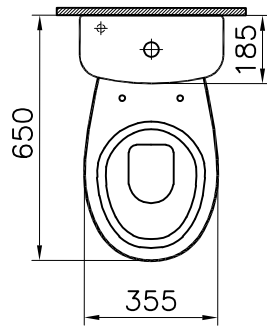
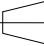



TI	4	Surface Area(dm <sup>2</sup> )	Revision	A4
		Mass(kg)		



2	1	Cistern	6656-0107	Ceramic
1	1	Close-coupled WC pan	5820-0075	Ceramic
item	Quantity	Part Name	Drawing No	Material
		Series	Material	Material
		NORMUS	Close-coupled WC pan	Material Class
Drawn By	Controlled By	Approved By	Date	Drawing No
T.TAYAR	N.BALTACI	V.SARIGOL	11.06.2008	5820+6656
				Scale
				1/20

R.S	Description	Date	NAME