

27 803 892



- COMPACT RAIN, max. flow rate 6.8 l/min (at 3 bar)
- three settings: normal flow, soft flow, massage flow
- with anti-scale system
- 1/2" shower outlet
- rosette for wall elbow Ø 55mm
- rosette for shower holder Ø 55mm
- metal shower hose 1250mm with integrated anti-twist protection
- 1/2" wall elbow
- This product can help a building meet the requirements of Green Building Rating Systems, e.g. LEED®, BREEAM®, DGNB

Intrinsic protection against back flow.

	Platinum	27 803 892-08 0010
	Chrome	27 803 892-00
	Chrome	27 803 892-00 0010
	Brushed Platinum	27 803 892-06
	Brushed Platinum	27 803 892-06 0010
	Platinum	27 803 892-08
	Dark Chrome	27 803 892-19
	Dark Chrome	27 803 892-19 0010
	Brushed Durabronze (23kt Gold)	27 803 892-28 0010
	Brushed Durabronze (23kt Gold)	27 803 892-28
	Matte Black	27 803 892-33
	Matte Black	27 803 892-33 0010
	Brushed Bronze	27 803 892-42 0010
	Brushed Bronze	27 803 892-42
	Brushed Champagne (22kt Gold)	27 803 892-46 0010
	Brushed Champagne (22kt Gold)	27 803 892-46
	Champagne (22kt Gold)	27 803 892-47 0010
	Champagne (22kt Gold)	27 803 892-47
	Brushed Chrome	27 803 892-93
	Brushed Chrome	27 803 892-93 0010
	Brushed Dark Platinum	27 803 892-99
	Brushed Dark Platinum	27 803 892-99 0010

27 803 892

Recommended miscellaneous



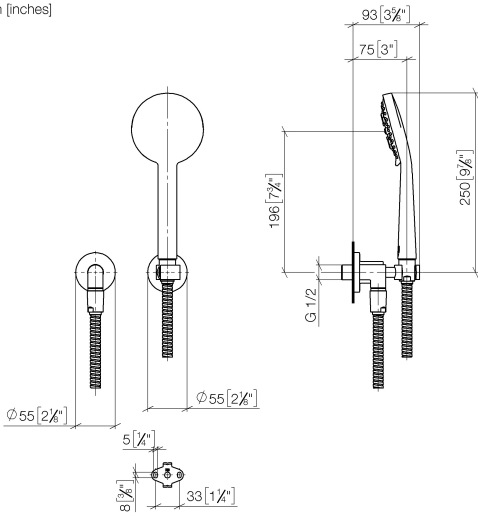
Concealed wall elbow -

- max. recess depth 163 mm
- min. recess depth 90 mm

35 085 970 90

27 803 892

mm [inches]



Flow rate chart



Codes & Standards

ASME A112.18.1

cUPC

DIN 4109

ISO 3822

Ü-Zeichen



TARA Hand shower set with individual rosettes FlowReduce - Platinum

TARA

27 803 892

Certificates

IAPMO_4976

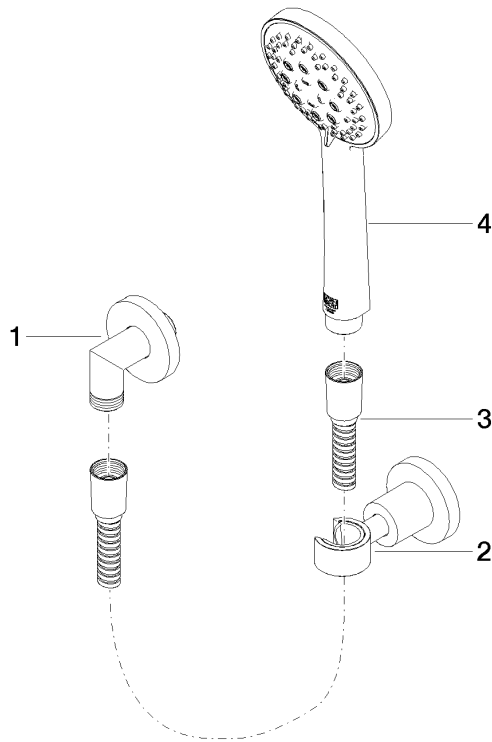
LGA_29

27 803 892

Product version up to 6/30/2015

Product version from 6/30/2015 to 7/11/2018

Product version from 7/11/2018





TARA Hand shower set with individual rosettes FlowReduce - Platinum

TARA

27 803 892

Spare parts list

Product version up to 6/30/2015

Product version from 6/30/2015 to 7/11/2018

Product version from 7/11/2018

No.	Item Number	Name	Quantity used	Delivery time
	28 450 892-08	connection	4	60