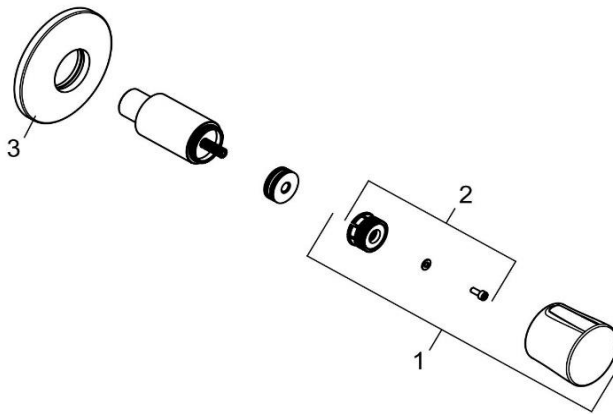


KLUDI BALANCE



528158775		Unterputzventil	concealed valve
1	7309239-00	GRIFF BALANCE	HANDLE BALANCE
2	7472300-00	RASTBUCHSE	HOLD BUSHING
3	7326239-00	UP - ROSETTE	ESCUTCHEON, CONCEALED