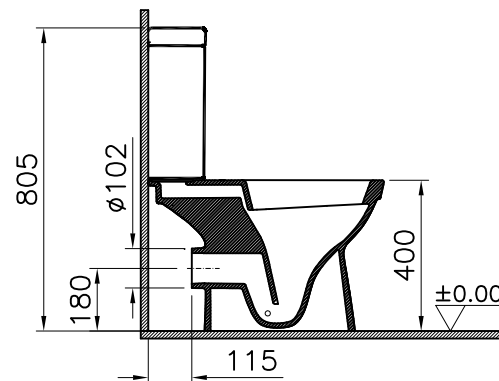
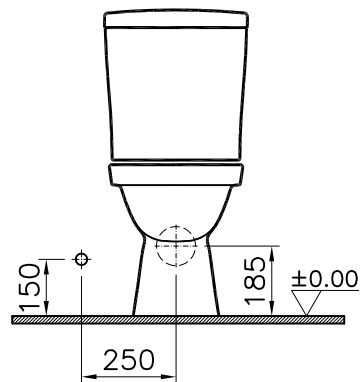
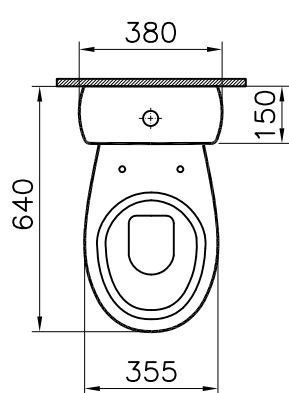


Theoretic Mass(kg)		Revision	
Surface Area(dm ²)		A4	

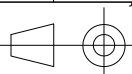
Thread	Hole	Shaft



Standart baglanti
Standard connection
Standard Verbindung

2	1	Cistern	5932-0107	Ceramic				
1	1	Close-coupled WC pan	5820-0075	Ceramic				
item	Quantity	Part Name	Drawing No	Material	Material Class			
		Series	Material	Material Class				
		NORMUS	Close-coupled WC pan					
		Drawn By	Controlled By	Approved By	Date	Drawing No	Scale	VitrA® ARTEMA®
		G.GULTER	N.BALTACI	H.TURKOZ	09.03.2016	5820+5932	1/20	

R.S	Description	Date	NAME



This drawing can only be used for the intended purposes. Unauthorized copying is strictly prohibited.