

27 802 892



- COMPACT RAIN, max. flow rate 6.8 l/min (at 3 bar)
- with anti-scale system
- 1/2" shower outlet
- rosette for wall elbow Ø 55mm
- rosette for shower holder Ø 55mm
- metal shower hose 1250mm with integrated anti-twist protection
- 1/2" wall elbow
- This product can help a building meet the requirements of Green Building Rating Systems, e.g. LEED®, BREEAM®, DGNB

Intrinsic protection against back flow.

	Dark Chrome	27 802 892-19 0010
	Chrome	27 802 892-00
	Chrome	27 802 892-00 0010
	Brushed Platinum	27 802 892-06
	Brushed Platinum	27 802 892-06 0010
	Platinum	27 802 892-08
	Platinum	27 802 892-08 0010
	Dark Chrome	27 802 892-19
	Brushed Durabronze (23kt Gold)	27 802 892-28 0010
	Brushed Durabronze (23kt Gold)	27 802 892-28
	Matte Black	27 802 892-33
	Matte Black	27 802 892-33 0010
	Brushed Bronze	27 802 892-42 0010
	Brushed Bronze	27 802 892-42
	Brushed Champagne (22kt Gold)	27 802 892-46 0010
	Brushed Champagne (22kt Gold)	27 802 892-46
	Champagne (22kt Gold)	27 802 892-47 0010
	Champagne (22kt Gold)	27 802 892-47
	Brushed Chrome	27 802 892-93
	Brushed Chrome	27 802 892-93 0010
	Brushed Dark Platinum	27 802 892-99
	Brushed Dark Platinum	27 802 892-99 0010

27 802 892

Recommended miscellaneous



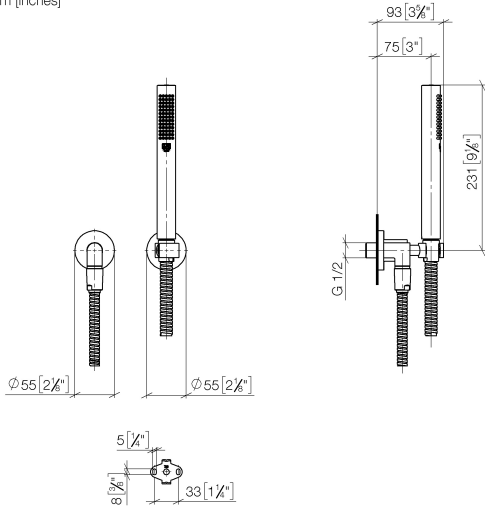
Concealed wall elbow -

- max. recess depth 163 mm
- min. recess depth 90 mm

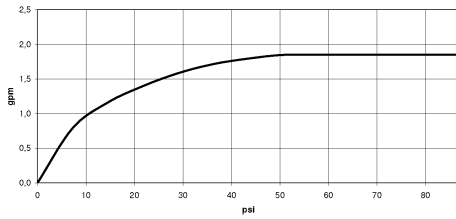
35 085 970 90

27 802 892

mm [inches]



Flow rate chart



Codes & Standards

DIN 4109

ISO 3822

Ü-Zeichen



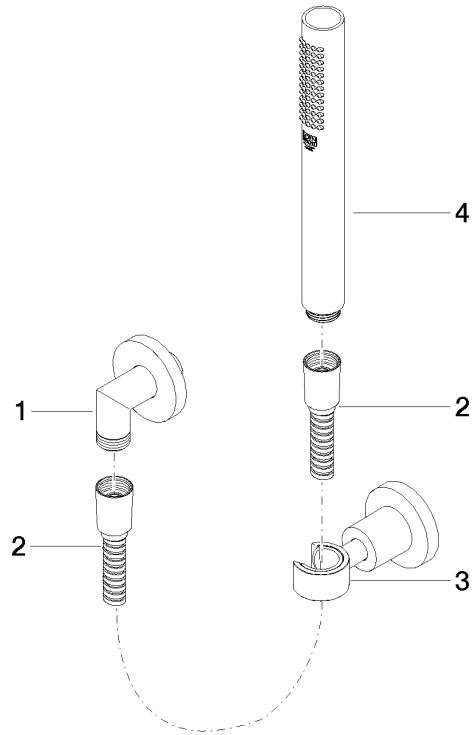
TARA Hand shower set with individual rosettes FlowReduce - Dark Chrome

TARA

27 802 892

Certificates

LGA_29





Spare parts list