

## EASTON

EATF11

Easton Vintage Low Profile Concealed Tub Filler With Handshower and Metal Cross Handles



SHOWN IN EASTON VINTAGE LOW PROFILE CONCEALED TUB FILLER WITH HANDSHOWER AND METAL CROSS HANDLES

### TECHNICAL DETAILS

ADA Compliance: No  
 Adjustable versus Fixed Spray: Fixed Spray  
 Deck Thickness Maximum: 1 1/2"  
 Deck Thickness Minimum: 0"  
 Diameter of Head: 3"  
 Escutcheon Primary Material: Brass  
 Fittings Hole Diameter: 1 3/8"  
 Flow Restriction Options: 2.0, 1.75, 1.5, 0.92  
 Handle Spread Maximum: 12"  
 Handle Spread Minimum: 10"  
 Handle Turn Angle: Quarter Turn  
 Handshower / Spray Hose Length: 79"  
 Index Color / Finish and Material: White Porcelain  
 Depth / Width: 12 1/4"  
 Height: 7 1/4"  
 Index Marking: Hot/Cold  
 Inlet Connection Size: 3/4"  
 Inlet Connection Type: Male NPT Adapter  
 Inlet Supply Spread Maximum: 12"  
 Inlet Supply Spread Minimum: 10"  
 Installation Type: Deck Mounted  
 Integrated Diverter: N  
 Length: 18"  
 Number of Handles: Two  
 Number of Holes: Four Hole  
 Pivot: N  
 Primary Material: Brass  
 Restricted Maximum Flow Rate: 2.5 gpm  
 Spout Swivel: N  
 Suggested Application: Bath  
 Valve Material: Ceramic  
 Water Pressure Maximum: 85.0 psi  
 Water Pressure Minimum: 20.0 psi  
 Water Pressure Recommended: 45.0 psi

### INSPIRATION

Drawing on Edwardian style, Easton is the most extensive Waterworks family; a range of moods and a selection of products from fittings to furniture.

### CODES & STANDARDS

Code # EATU11: ASME A112.18.1, CSA B125, ASSE 1014, IAPMO, State of MA

### PRODUCT FEATURES

Brass metal is used for all trim and valve components

The manufacturing process encompasses casting, turning, forging, hand-fitting and hand polishing. Easton has a clean-lined utilitarian profile, with a slightly elongated spout.

Stocked in 2.5gpm (9.5 L/min) and 1.75gpm (6.6 L/min). State of California requires 1.75gpm (6.6 L/min) to comply with their water conservation requirements. Other flow options are available to order, contact your sales associate or call 1 (800) 899-6757 for details.

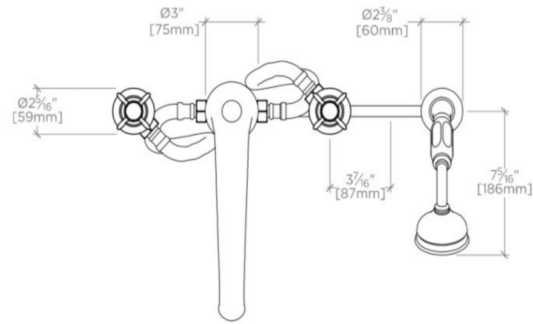


# WATERWORKS

## EASTON

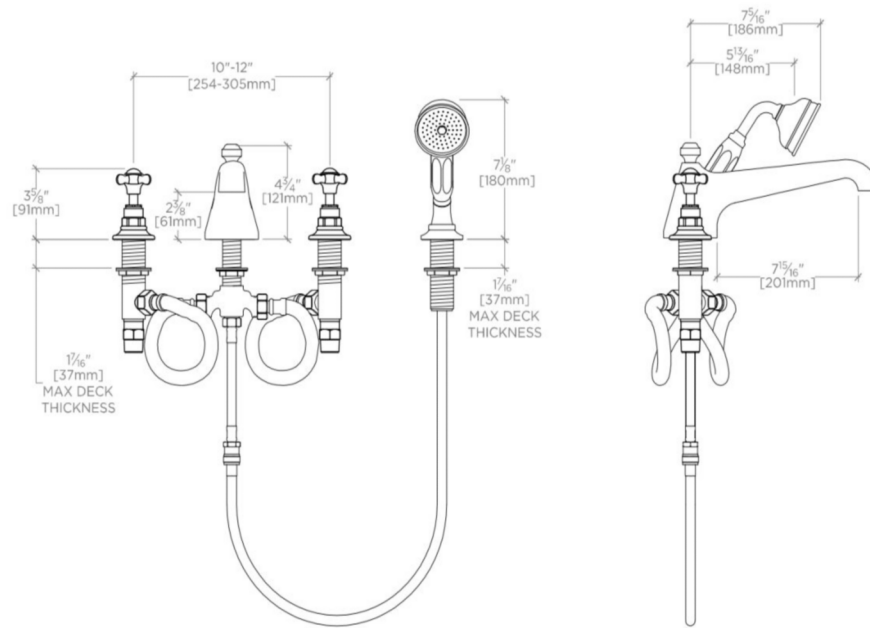
EATF11

Easton Vintage Low Profile Concealed Tub Filler With Handshower and Metal Cross Handles



TOP VIEW

SCALE: 1½"=1'-0"



FRONT VIEW

SCALE: 1½"=1'-0"

SIDE VIEW

SCALE: 1½"=1'-0"