

## EASTON

EATF14

Easton Vintage Low Profile Concealed Tub Filler With Handshower and Black Porcelain Lever Handles



SHOWN IN EASTON VINTAGE LOW PROFILE CONCEALED TUB FILLER WITH HANDSHOWER AND BLACK PORCELAIN LEVER

### TECHNICAL DETAILS

ADA Compliance: No  
 Adjustable versus Fixed Spray: Fixed Spray  
 Deck Thickness Maximum: 1 1/2"  
 Deck Thickness Minimum: 0"  
 Diameter of Head: 3"  
 Escutcheon Primary Material: Brass  
 Fittings Hole Diameter: 1 3/8"  
 Flow Restriction Options: 2.0, 1.75, 1.5, 0.92  
 Handle Spread Maximum: 12"  
 Handle Spread Minimum: 10"  
 Handle Turn Angle: Quarter Turn  
 Handshower / Spray Hose Length: 79"  
 Depth / Width: 12 1/4"  
 Height: 7 1/4"  
 Index Marking: H/C  
 Inlet Connection Size: 3/4"  
 Inlet Connection Type: Male NPT Adapter  
 Inlet Supply Spread Maximum: 12"  
 Inlet Supply Spread Minimum: 10"  
 Installation Type: Deck Mounted  
 Integrated Diverter: N  
 Length: 18"  
 Number of Handles: Two  
 Number of Holes: Four Hole  
 Pivot: N  
 Primary Material: Brass  
 Restricted Maximum Flow Rate: 2.5 gpm  
 Spout Swivel: N  
 Suggested Application: Bath  
 Water Pressure Maximum: 85.0 psi  
 Water Pressure Minimum: 20.0 psi  
 Water Pressure Recommended: 45.0 psi

### INSPIRATION

Drawing on Edwardian style, Easton is the most extensive Waterworks family; a range of moods and a selection of products from fittings to furniture.

### CODES & STANDARDS

Code # EATU14: ASME A112.18.1, CSA B125, ASSE 1014, IAPMO, State of MA

### PRODUCT FEATURES

Stocked in 2.5gpm (9.5 L/min) and 1.75gpm (6.6 L/min). State of California requires 1.75gpm (6.6 L/min) to comply with their water conservation requirements. Other flow options are available to order, contact your sales associate or call 1 (800) 899-6757 for details.

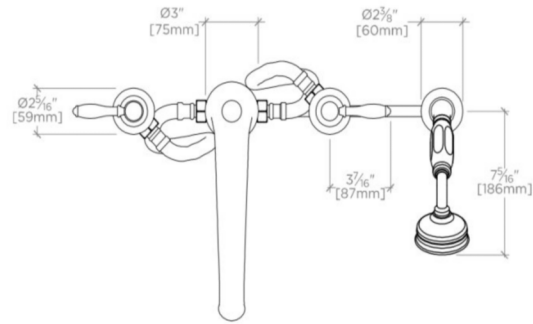


# WATERWORKS

## EASTON

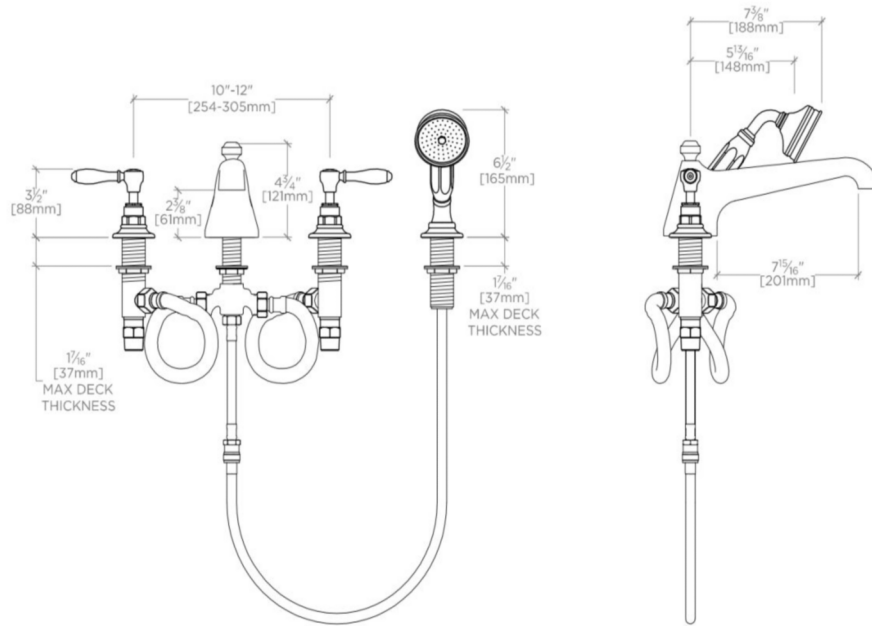
EATF14

Easton Vintage Low Profile Concealed Tub Filler With Handshower and Black Porcelain Lever Handles



TOP VIEW

SCALE: 1½"=1'-0"



FRONT VIEW

SCALE: 1½"=1'-0"

SIDE VIEW

SCALE: 1½"=1'-0"