

EXWA112



Collection: OLA

Finish\*:



00 - White

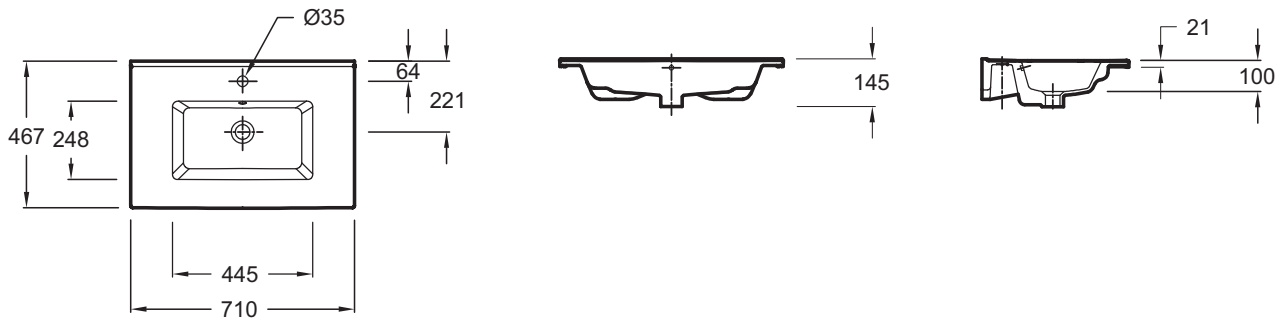
### Features

- DIMENSIONS: 71 x 46.70 cm
- MATERIAL: Ceramic
- TAP DRILLING: 1 tap hole
- ADDITIONAL INFORMATION: taps not included
- Must be used with coordinating furniture
- WEIGHT: 17 kg
- INSTALLATION TYPE: Countertop
- NUMBER OF VANITY BASINS FOR VANITY TOPS: Single basin
- Non-self-supporting vanity top

### Consumer benefits

- FINENESS: Thin vanity top sits perfectly on the cabinet
- PRACTICAL: Wide ledge is practical for daily use
- DESIGN: Geometric basin in a contemporary style

### Technical drawing



Product Specification: Vanity top 71 cm. EXWA112. Collection: OLA. DIMENSIONS: 71 x 46.70 cm. WEIGHT: 17 kg. MATERIAL: Ceramic. INSTALLATION TYPE: Countertop. TAP DRILLING: 1 tap hole. NUMBER OF VANITY BASINS FOR VANITY TOPS: Single basin. ADDITIONAL INFORMATION: taps not included. Non-self-supporting vanity top. Must be used with coordinating furniture.

\*Due to possible variations in computer and printer calibrations, technical factors and certain finish characteristics, the colors you see may not accurately portray the actual colors and are provided as a guide only.