

## EASTON

## EATH06

Easton Classic Thermostatic Control Valve Trim with White Porcelain Blank Indices and Cross Handle



SHOWN IN NICKEL WITH WHITE PORCELAIN BLANK INDICES

### TECHNICAL DETAILS

ADA Compliance: Yes  
Control Valve Rough-in Depth Maximum: 8"  
Control Valve Rough-in Depth Minimum: 2"  
Diverter Valve Rough-in Depth Maximum: 3.76"  
Diverter Valve Rough-in Depth Minimum: 2.83"  
Escutcheon Primary Material: Brass  
Index Color / Finish and Material: White Porcelain  
Depth / Width: 3 1/2"  
Height: 6 1/4"  
Index Marking: Blank  
Integrated Diverter: N  
Length: 6"  
Number of Handles: One  
Primary Material: Brass  
Suggested Application: Bath

### INSPIRATION

Easton is a timeless escape and draws on the deep waters of Edwardian style. Easton is the most extensive family in the Waterworks collection, with a range of moods from traditional to modern, and a selection of products from fittings to furniture.

### CODES & STANDARDS

Code # EASV06: ASME A112.18.1, CSA B125, IAPMO, State of MA

### PRODUCT FEATURES

Brass metal is used for all trim and valve components  
The manufacturing process encompasses casting, turning, forging, hand-fitting and hand polishing.  
Easton is our most comprehensive fittings family.  
Easton has a clean-lined utilitarian profile, with a slightly elongated spout.

### CERTIFICATIONS



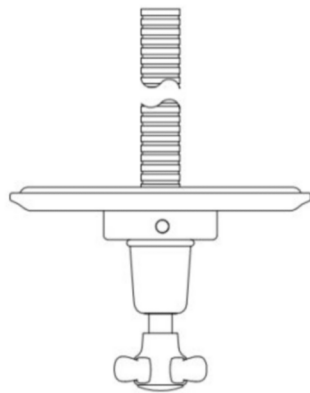
### PRODUCT (NOTES)

Valve sold separately.

## EASTON

## EATH06

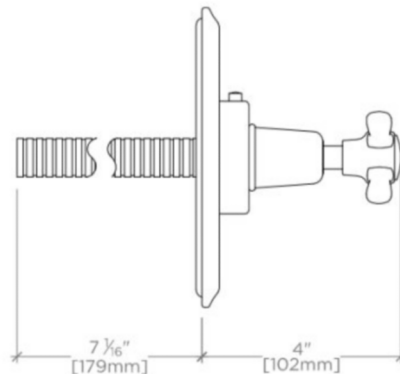
Easton Classic Thermostatic Control Valve Trim with White Porcelain Blank Indice and Cross Handle



TOP VIEW SCALE: 3"=1'-0"



FRONT VIEW SCALE: 3"=1'-0"



SIDE VIEW SCALE: 3"=1'-0"