

## EASTON

Easton Classic Thermostatic Control Valve Trim with Black Porcelain Lever Handle

## EATH09



SHOWN IN EASTON CLASSIC THERMOSTATIC CONTROL VALVE TRIM WITH BLACK PORCELAIN LEVER HANDLE| EATH09

### TECHNICAL DETAILS

ADA Compliance: Yes  
Control Valve Rough-in Depth Maximum: 8"  
Control Valve Rough-in Depth Minimum: 2"  
Diverter Valve Rough-in Depth Maximum: 3.76"  
Diverter Valve Rough-in Depth Minimum: 2.83"  
Index Color / Finish and Material: Metal  
Depth / Width: 3 1/2"  
Height: 6 1/4"  
Integrated Diverter: N  
Length: 6"  
Primary Material: Brass  
Suggested Application: Bath

### INSPIRATION

Drawing on Edwardian style, Easton is the most extensive Waterworks family; a range of moods and a selection of products from fittings to furniture.

### CODES & STANDARDS

Code # EASV09: ASME A112.18.1, CSA B125, IAPMO, State of MA

### PRODUCT FEATURES

Brass metal is used for all trim and valve components  
The manufacturing process encompasses casting, turning, forging, hand-fitting and hand polishing.  
Easton is our most comprehensive fittings family.  
Easton has a clean-lined utilitarian profile, with a slightly elongated spout.

### CERTIFICATIONS



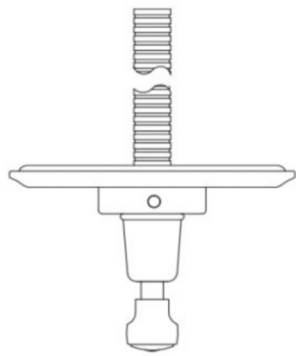
### PRODUCT (NOTES)

Valve sold separately.

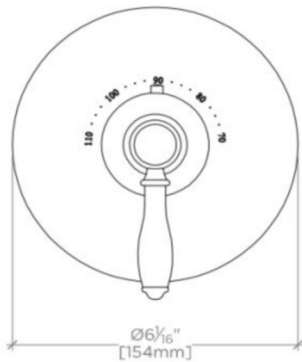
## EASTON

## EATH09

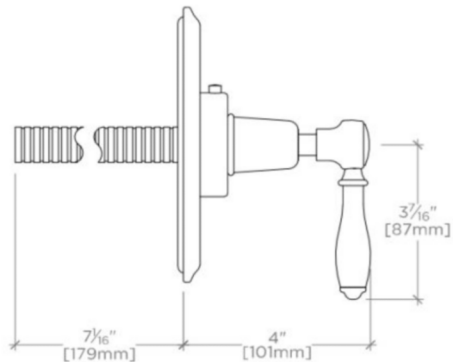
Easton Classic Thermostatic Control Valve Trim with Black Porcelain  
Lever Handle



TOP VIEW SCALE: 3"=1'-0"



FRONT VIEW SCALE: 3"=1'-0"



SIDE VIEW SCALE: 3"=1'-0"