

EASTON

EATH17

Easton Vintage Thermostatic Control Valve Trim with Metal Lever Handle



SHOWN IN EASTON VINTAGE THERMOSTATIC CONTROL VALVE TRIM WITH METAL LEVER HANDLE| EATH17

TECHNICAL DETAILS

ADA Compliance: Yes
Control Valve Rough-in Depth Maximum: 8"
Control Valve Rough-in Depth Minimum: 2"
Diverter Valve Rough-in Depth Maximum: 3.76"
Diverter Valve Rough-in Depth Minimum: 2.83"
Escutcheon Primary Material: Brass
Index Color / Finish and Material: White Porcelain
Depth / Width: 3 1/2"
Height: 6 1/4"
Index Marking: Blank
Integrated Diverter: N
Length: 6"
Number of Handles: One
Primary Material: Brass
Suggested Application: Bath

INSPIRATION

Drawing on Edwardian style, Easton is the most extensive Waterworks family; a range of moods and a selection of products from fittings to furniture.

CODES & STANDARDS

Code # EASV17: ASME A112.18.1, CSA B125, IAPMO, State of MA

PRODUCT FEATURES

Brass metal is used for all trim and valve components
The manufacturing process encompasses casting, turning, forging, hand-fitting and hand polishing.
Easton is our most comprehensive fittings family.
Easton has a clean-lined utilitarian profile, with a slightly elongated spout.

CERTIFICATIONS



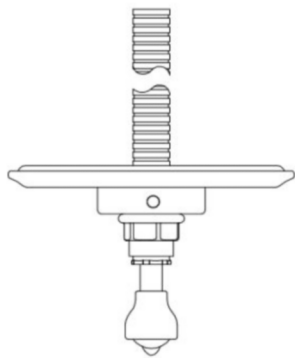
PRODUCT (NOTES)

Valve sold separately.

EASTON

EATH17

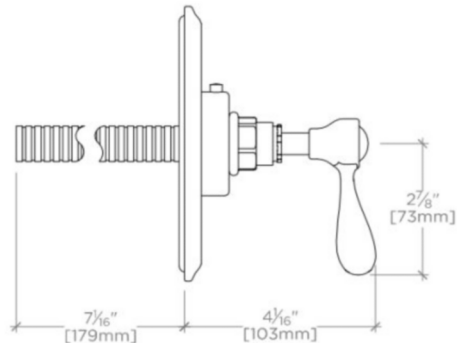
Easton Vintage Thermostatic Control Valve Trim with Metal Lever Handle



TOP VIEW SCALE: 3"=1'-0"



FRONT VIEW SCALE: 3"=1'-0"



SIDE VIEW SCALE: 3"=1'-0"