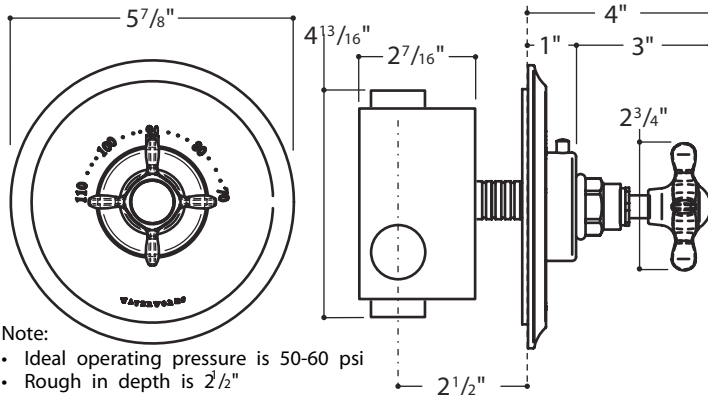


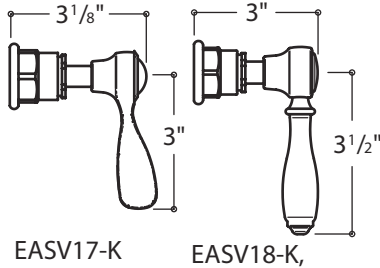
**VINTAGE**

- EASV16**(cross handle)
- EASV17-K** (all metal lever handle)
- EASV18-K** (white porcelain lever handle)



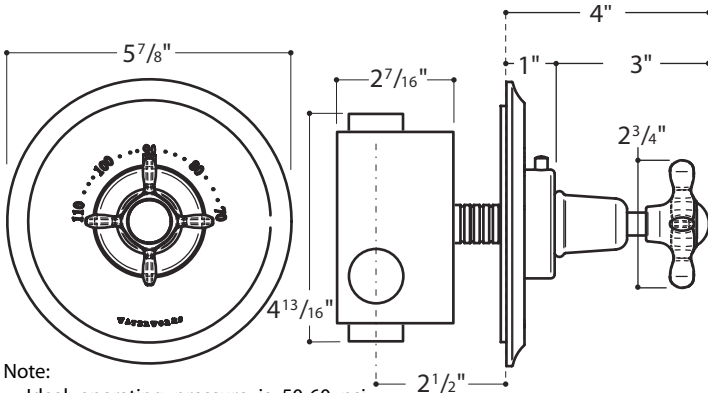
Note:

- Ideal operating pressure is 50-60 psi
- Rough in depth is 2 1/2"
- Max pressure is 80 psi, Min pressure is 25 psi
- Inlets: 3/4" female NPT



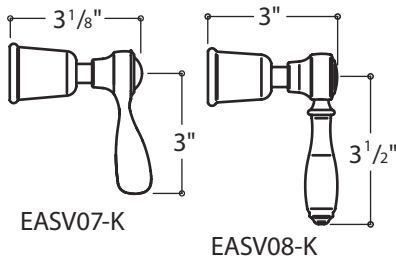
**CLASSIC**

- EASV06**(cross handle)
- EASV07-K**(all metal lever handle)
- EASV08-K**(white porcelain lever handle)



Note:

- Ideal operating pressure is 50-60 psi
- Rough in depth is 2 1/2"
- Max pressure is 80 psi, Min pressure is 25 psi
- Inlets: 3/4" female NPT



**INSTALLATION GUIDELINES:  
IMPORTANT**

- ▶ To ensure this product is installed properly, you must read and follow these guidelines.
- ▶ The owner/user of the valve must keep this information for future reference.
- ▶ This valve includes integrated service stops. Make sure the tile guard is in place.
- ▶ This valve features anti scald protection. The risk of scalding exists until the installer has properly calibrated/adjusted the temperature setting during final trim installation.
- ▶ Valve body rough-in depth is 2 1/2" the centerline of the inlets to the face of the finished wall.
- ▶ Be sure your installation conforms to local codes.
- ▶ This thermostatic valve only mixes hot and cold water and does not have volume control or shut off capability. A diverter or wall valves (provided separately) control on/off/volume and must be installed for each fitting that will have water flowing to it.
- ▶ This product must be installed by a professional contractor.
- ▶ Refer to the specification and assembly drawings attached. Valves are sold partially assembled but shown fully disassembled for illustrative and service purposes only.
- ▶ If soldering any connections, remove cartridge to prevent damage to seals and internal assembly.
- ▶ The trim should be on-site prior to rough in and allows the installer to visualize the installation.
- ▶ Inspect this product to assure you have all parts shown that are required for proper installation.
- ▶ Check incoming water pressure; ideal operating pressure is 50-60 psi. The minimum is 25 psi. and the maximum is 80 psi.

## ROUGH IN:

1. Make sure the valve body (1,1a) is positioned according to valve markings so the inlets are situated with hot piped on the left and cold piped on the right. Positioned correctly, notice the inlets are below an imaginary horizontal line drawn between the 2 cover screws (4).
2. IMPORTANT: Valve rough-in depth is 2-1/2 "measured from the centerline of the inlets to the surface of the finished wall.
3. Run 3/4" copper supply lines to the proper height of the valve inlets and be sure to secure all piping and fittings.
4. For each fitting that will have water flowing to it, install a wall valve or diverter valve (both provided separately) at the same rough in depth and according to the flow direction arrow marked on the wall valve or diverter valve body.
5. The bottom port of the valve body is plugged (1a), but can be used to supply water to other fittings.
6. Install the tile guard (5).

## FLUSH OUT THE SYSTEM:

The supply lines must be flushed out to prevent clogging of the filter screens. Failure to flush the lines will permanently damage the cartridge and void the warranty.

7. The valve body is shipped with the flush plate installed (2,4) but without the cartridge installed and is ready for flushing the lines.
8. Turn on the water supply to flush out the lines then inspect all connections for leaks.
9. After the lines are flushed, turn off the water supply, unthread the 2 cover screws (4), then remove the flush plate.
10. Install the cartridge/cover plate (3) using the 2 cover screws and turn off the service stops.
11. Install the tile guard (5).

## ATTACH THE TRIM:

12. Unthread the trim nut (8) from the threaded sleeve (6) and then attach this sleeve to the valve cover plate (3).
13. Slide the escutcheon plate (7,7a) over the sleeve until the plate contacts the wall.
14. While holding the escutcheon plate against the wall, mark the sleeve at a point 3/8" beyond where it protrudes through the plate.
15. Remove the escutcheon plate, unthread the sleeve, and then cut the sleeve at the point marked in step 14. Do NOT cut the end of the sleeve that has the internal threads.
16. Reattach the threaded sleeve and slide the escutcheon plate over it.
17. Thread the trim nut onto the threaded sleeve which will hold the plate against the wall.
18. Fully insert the square tube (5) into the trim nut and then, by feel, make sure it slides over the stem and stops against the valve cover plate - see figure 1. When seated properly onto the stem, the square tube will have rotational resistance.
19. Mark the square tube at the point where it passes through the face of the trim nut.
20. Remove the square tube and cut it 1/8" behind the mark made on the tube in step 19.
21. After cutting, insert the square tube back into the trim nut, making sure it is slightly recessed into the trim nut.

These guidelines have been prepared for the professional contractor to aid in the installation of:

**EASTON® CONCEALED THERMOSTATIC VALVE TRIM  
WITH LEVER/CROSS HANDLE (Classic & Vintage)**

05/06

All dimensions are based on original specifications and are subject to change and variation.  
Please consult your Design Associate for current specifications.

W A T E R W O R K S

## CALIBRATE THE TEMPERATURE:

- ▶ **The risk of scalding exists until the installer has properly calibrated the temperature setting.**

22. Turn on a wall valve and insert a bladed screw driver into the square tube (5).
23. Slowly rotate the square tube clockwise to attain full cold and then rotate it counterclockwise to attain full hot. Note it is approximately 2 full rotations from full cold to full hot.
24. Rotate the square tube to adjust the temperature to the desired bathing temperature and confirm the setting with a thermometer. Turn off the water and make sure not to change this temperature setting.
25. Unthread the 4-2mm set screws (13) from the limit stop assembly (9-14).
26. Using the limit stop button (10) as a pointer, align it to the corresponding temperature reading obtained in step #21 on the escutcheon plate (7) and then press this assembly against the trim nut.
27. Tighten all the set screws.
28. Turn on the water and take a reading of the water temperature. Confirm that the temperature readings correspond to the digits on the escutcheon plate and if they do not, repeat the calibration procedures.
29. Attach the handle assembly (15-23) to the limit stop assembly by tightening the cover (18) clockwise.
30. Confirm the safety limit is functioning properly by turning the handle counter-clockwise at which point it should stop with the limit stop button (10) pointing to 100 degrees. Bypass the limit stop by pressing the limit stop button and rotating the handle. It is NOT recommended to exceed the safety limit stop of 100 degrees.

31. Temperature settings should be checked periodically to ensure that proper calibration is maintained. Changes in the inlet water temperatures could affect the temperature settings.

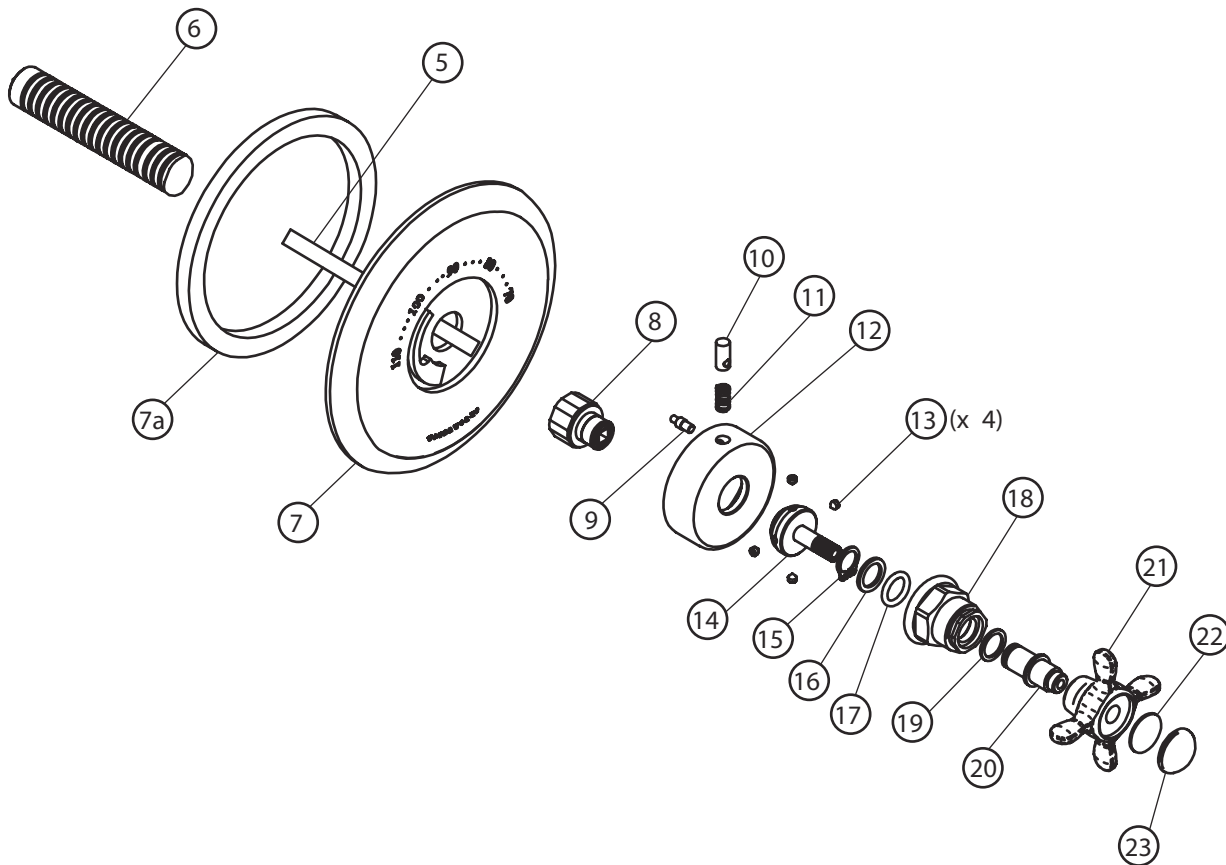
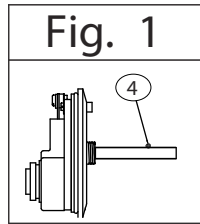
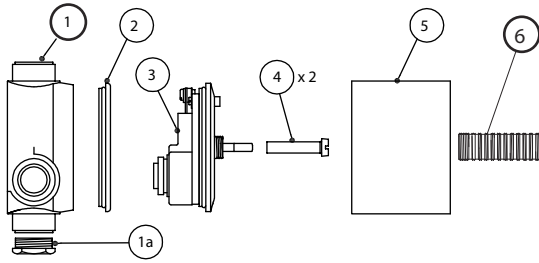
- ▶ If further assistance is required, please contact Product Support at 1-800-927-2120 (8am-7pm EST).

05/06 These guidelines have been prepared for the professional contractor to aid in the installation of:

**EASTON® CONCEALED THERMOSTATIC VALVE TRIM  
WITH LEVER/CROSS HANDLE (Classic & Vintage)**

All dimensions are based on original specifications and are subject to change and variation.  
Please consult your Design Associate for current specifications.

W A T E R W O R K S



These guidelines have been prepared for the professional contractor to aid in the installation of:  
**EASTON® CONCEALED THERMOSTATIC VALVE TRIM  
WITH LEVER/CROSS HANDLE (Classic & Vintage)**

All dimensions are based on original specifications and are subject to change and variation.  
Please consult your Design Associate for current specifications.