

## EASTON

## EATH99

Easton Classic Thermostatic Control Valve Trim with Metal Blank Indice and Cross Handle



SHOWN IN EASTON CLASSIC THERMOSTATIC CONTROL VALVE TRIM WITH METAL BLANK INDICE AND CROSS HANDLE]

### TECHNICAL DETAILS

ADA Compliance: Yes  
Control Valve Rough-in Depth Maximum: 8"  
Control Valve Rough-in Depth Minimum: 2"  
Diverter Valve Rough-in Depth Maximum: 3.76"  
Diverter Valve Rough-in Depth Minimum: 2.83"  
Index Color / Finish and Material: White Porcelain  
Depth / Width: 3 1/2"  
Height: 6 1/4"  
Integrated Diverter: N  
Length: 6"  
Primary Material: Brass  
Suggested Application: Bath

### INSPIRATION

Drawing on Edwardian style, Easton is the most extensive Waterworks family; a range of moods and a selection of products from fittings to furniture.

### CODES & STANDARDS

Code # EASV99: ASME A112.18.1, CSA B125, IAPMO, State of MA

### PRODUCT FEATURES

Brass metal is used for all trim and valve components.  
Optional handle materials include porcelain and semi-precious stones.  
The manufacturing process encompasses casting, turning, forging, hand-fitting and hand polishing.  
The pillowed propeller on the cross handle makes the product fit comfortably in the hand.  
An extensive range of fittings, fixture and accessory options for the lavatory, bath and kitchen.

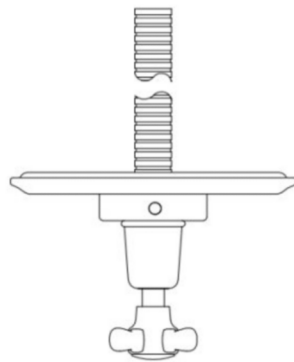
### PRODUCT (NOTES)

Valve sold separately.

## EASTON

## EATH99

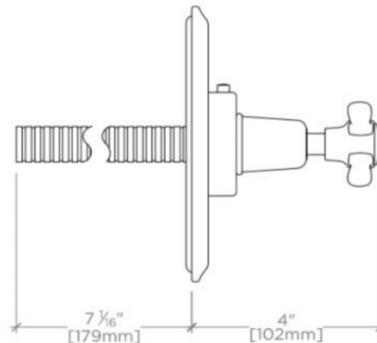
Easton Classic Thermostatic Control Valve Trim with Metal Blank  
Indice and Cross Handle



TOP VIEW SCALE: 3"=1'-0"



FRONT VIEW SCALE: 3"=1'-0"



SIDE VIEW SCALE: 3"=1'-0"