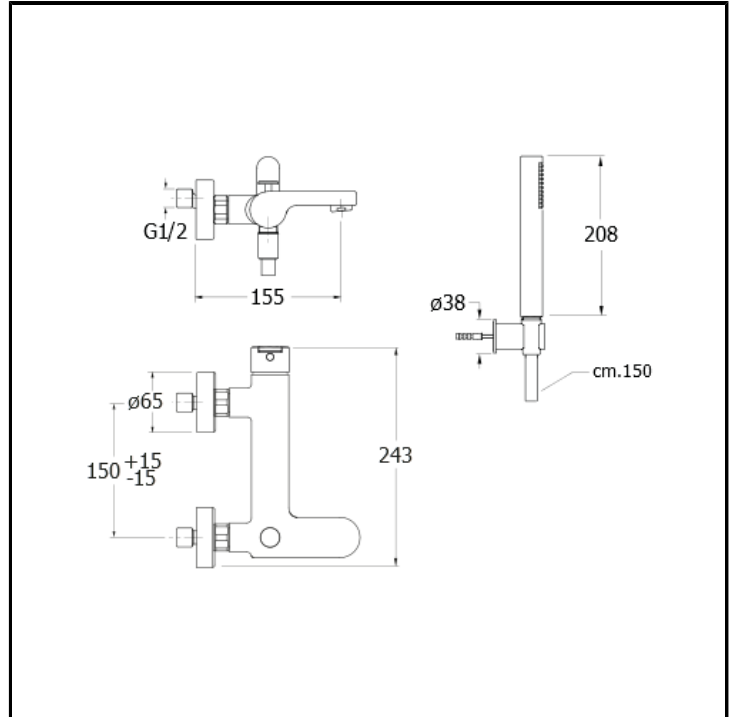


CRIRN100

External bath mixer with LONG LIFE flexible hose and anti-lime hand shower



FINITURE

 Chrome

CHARACTERISTICS

-

FEATURES FROM TECHNOLOGIES

-
-
-

COMMAND

- Monocontrol

INSTALLATION

- Wall

TPOLOGY

-

ENVIRONMENT

- Bathroom

