

**Double washbasin bowl with texture**

**81234.9**



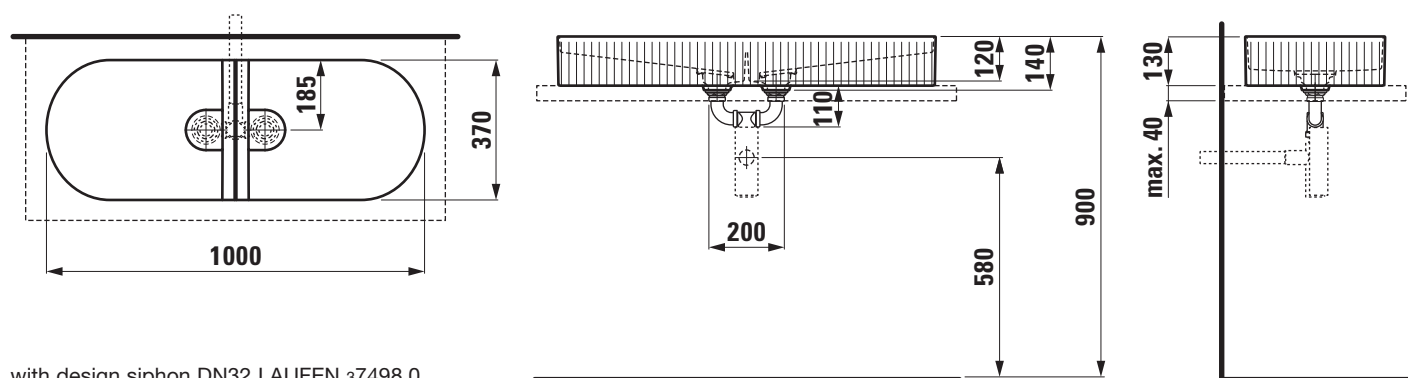
**TECHNICAL DATA**

|                     |   |
|---------------------|---|
| Order no.           | 81234.9   |
| Certified to        | EN 31   |
| Dimensions          | 1000 x 370 mm   |
| Basin capacity      | per basin 4.9 litre   |
| Specification       | with outside texture<br>Charge 112 – without tap holes, without overflow  |
| Weight              | 17,5kg  |
| Accessories incl.   | 2x SaphirKeramik valve cover plate,<br>order no. 89334.3  |
| Mounting acc. incl. | Charge 112 – 2x valve without overflow always<br>open, order no. 89334.4<br>Waste connection set LAUFEN,<br>order no. 89434.3<br>Fastening kit, order no. 89496.1 |
| Mounting acc. excl. | Design siphon with siphon cover DN 32<br>chrome, order no. 37498.0<br>Space saving siphon DN 32, order no. 89424.0  |
| Otherwise           | Use enclosed template for cutting.  |
| Colours             | see colour table  |

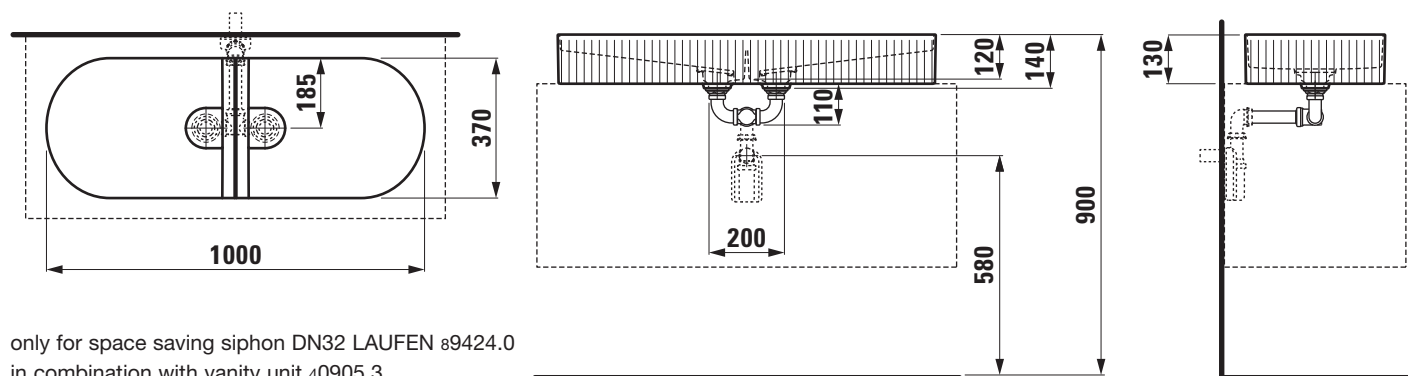
**SPECIFICATION TEXT**

Double washbasin bowl with texture Laufen-SONAR, SaphirKeramik EN 31  
 dimensions 1000 x 370 mm  
 without tap holes, without overflow, valve without overflow always open,  
 SaphirKeramik valve cover plate  
 Special feature: with outside texture  
 Further options / accessories: Surface refinement LCC (only white),  
 bathtubs  
 Order no. 81234.9

**TECHNICAL DRAWINGS / S 1 : 20**



with design siphon DN32 LAUFEN 37498.0



only for space saving siphon DN32 LAUFEN 89424.0  
 in combination with vanity unit 40905.3