

HYGIENIC BAGS

Wall-mounted



DBH100
White finish



DBH100C
Bright finish



DBH100CS
Satin finish

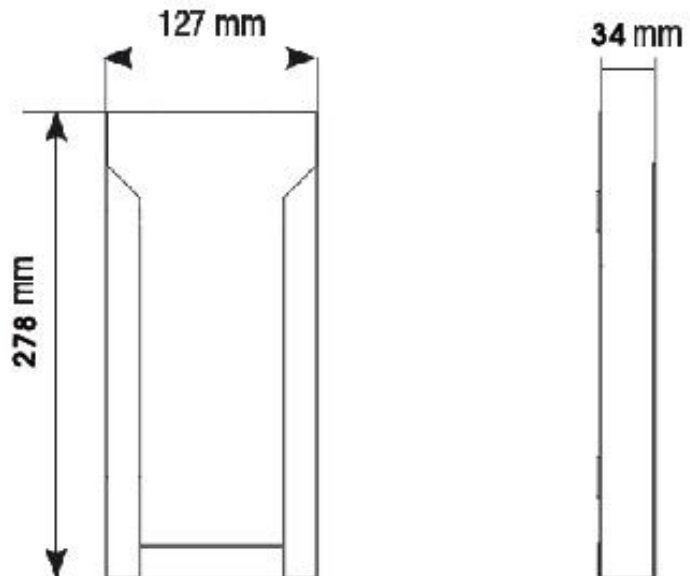
General description

- Sanitary bag dispenser, designed and manufactured by Mediclinics.
- Discrete and comfortable sanitary disposal solution.
- Robust, compact and vandal-proof design.
- One-piece body

Technical specifications

Body thickness	<i>0.8 mm</i>
Net weight	<i>0.5 Kg</i>
Capacity	<i>50 bags</i>

Dimensions



Dimensions $\pm 4\%$

Components and materials

- **DBH100:** sanitary bag dispenser made of steel, 0.8 mm thick, white finish.
- **DBH100C:** sanitary bag dispenser made of stainless steel, 0.8 mm thick, bright finish.
- **DBH100CS:** sanitary bag dispenser made of stainless steel, 0.8 mm thick, satin finish.
- Screws and plugs for brick wall mounting provided.

INSTALLATION

65-75 cm at lower point.