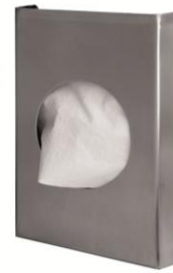


**MEDINOX**
**Bag dispenser**

**AI0920C**  
**bright finish**

**AI0920CS**  
**satin finish**
**General Description**

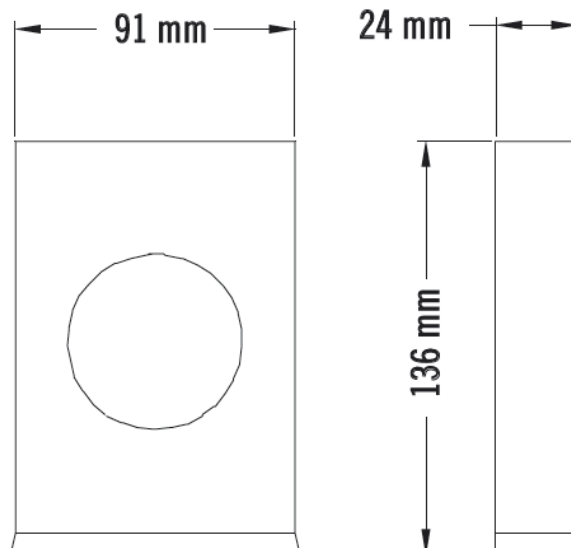
- Sanitary bag dispenser with front and rear plate welded, made in stainless steel AISI 304.
- Model suitable for collectivities.
- Without removable components.

**Technical Specifications**

<b>General dimensions</b>	<i>136x91x24 mm</i>
<b>Body thickness</b>	<i>0.8 mm</i>
<b>Plate thickness</b>	<i>0.8 mm</i>
<b>Weight (empty)</b>	<i>0.2 Kg</i>

**Components & materials**

- **AI0920C:** AISI 304 stainless steel, bright finish.
- **AI0920CS:** AISI 304 stainless steel, satin finish.
- Front and rear plate made in stainless steel AISI 304, 1 mm thick, totally welded.
- Installation to the wall by means of an upper slotted hole and a lower oval hole.
- Refill with sanitary bags from carton boxes of 136x91x24mm
- Screws and plugs for installation to the wall are provided.

**Dimensions**

 Dimensions:  $\pm 4\%$ 
**MOUNTING TEMPLATE**

No specific instructions for use.