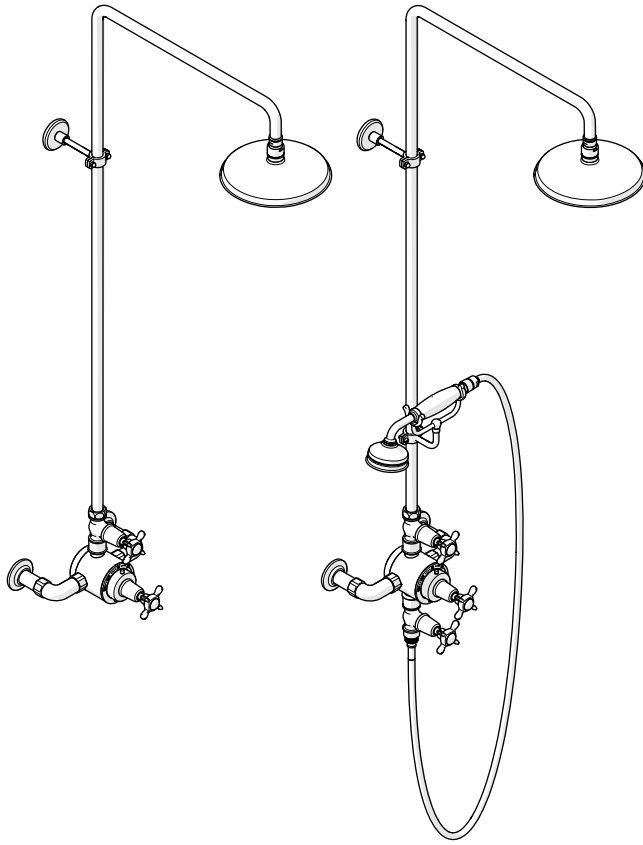


STYLE No. EAXS42

STYLE No. EAXS52
with Handshower



SPECIFICATIONS:

Fittings Hole Diameter: $\varnothing 1\text{-}1/4\text{'}$
Inlet Connection Size & Type: $3/4\text{'}$ Male NPT
Inlet Supply Spread: $8\text{-}1/8\text{'}$ (NOT ADJUSTABLE)
Recommended Water Pressure: 45psi
Restricted Maximum Flow Rate: 2.5 gpm
Water Pressure Range: 20psi MIN - 80psi MAX

IMPORTANT:

- To ensure this product is installed properly, you must read and follow these guidelines. The owner/user of this product must keep this information for future reference.
- This product must be installed by a professional licensed contractor. Be sure your installation conforms to all federal, state, and local codes. In the State of Massachusetts, all installations must comply with the rules and regulations set forth within 248 CMR.
- This product must be on-site prior to rough-in. This allows the installer to visualize the installation and verify the center spread.

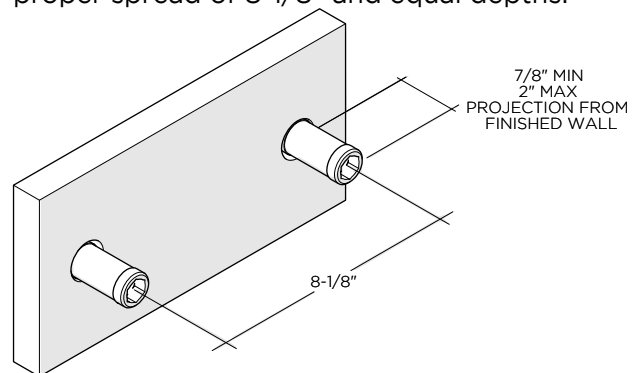
- Refer to the specification and assembly drawings attached. Product is sold partially assembled but shown fully disassembled for illustrative and service purposes only. Inspect the product to ensure you have all the parts required for proper installation.
- Use only a strap wrench or protected/smooth-jaw wrench on any finished surface. DO NOT use putty. Putty contains oil and can cause permanent discoloration on certain materials such as marble, granite and any porous surface.
- Check incoming water pressure and install accessible hot and cold service stop valves to facilitate servicing.
- The risk of scalding exists until the installer has properly calibrated the temperature setting.

ROUGH-IN:

1. Considering ceiling clearance and proper shower rose height, determine the ideal location for the product based on user preference.
2. Run well supported $3/4\text{'}$ hot and cold copper supply lines for maximum water flow. The spread between supplies is $8\text{-}1/8\text{'}$ on center and is NOT adjustable. Verify the supplies are secure, level, at the proper spread of $8\text{-}1/8\text{'}$ and equal depths. Install blocking to properly secure the shower arm bracket.
3. Install temporary $3/4\text{'}$ NPT nipples (not included), cap off the supplies and check for leaks.

INSTALLATION:

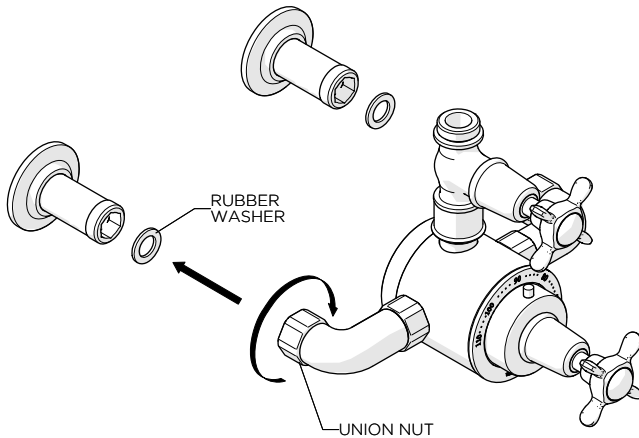
4. Remove the temporary nipples. Thread on the NPT end of the plated nipples provided to create a proper seal and securely tighten. The nipples must protrude $7/8\text{'}$ to 2' from the finished wall. Verify the supplies are secure, level, at the proper spread of $8\text{-}1/8\text{'}$ and equal depths.



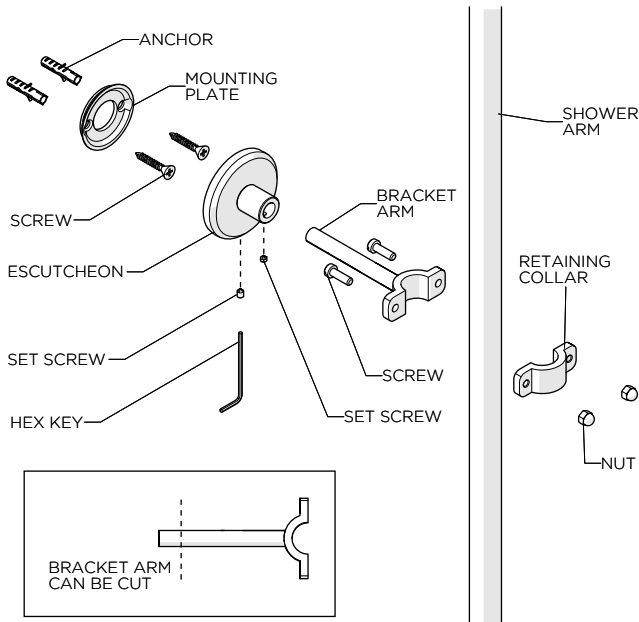
These guidelines have been prepared for the professional contractor to aid in the installation of:
EASTON CLASSIC EXPOSED THERMOSTATIC SYSTEM WITH 8" SHOWER ROSE (STYLE No. EAXS42) &
EASTON CLASSIC EXPOSED THERMOSTATIC SYSTEM WITH 8" SHOWER ROSE AND HANDSHOWER
(STYLE No. EAXS52)
All dimensions are based on original specification and are subject to change and variation.
Please consult your Design Associate for current specifications.

WATERWORKS

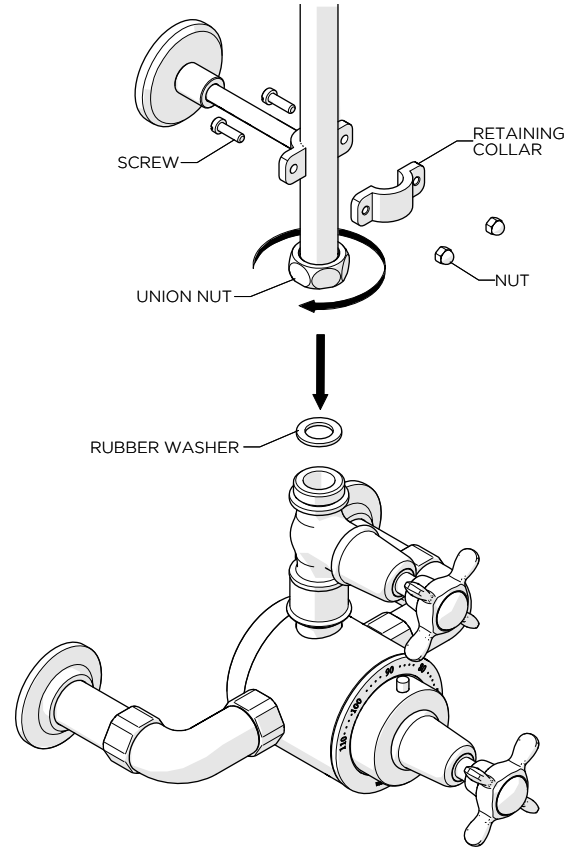
- Turn on the water supply to flush out any debris in the supply lines then turn them off.
- Slide the escutcheons onto the nipples, making sure to use the gasket provided. Hold the valve up to the nipples and thread the union nuts onto the nipples. Make sure to use the rubber washers to create a proper seal and securely tighten.



- Install the shower arm bracket using the hardware provided. The bracket arm can be cut to adjust the length. Make sure the set screw creates a secure hold on the bracket arm.



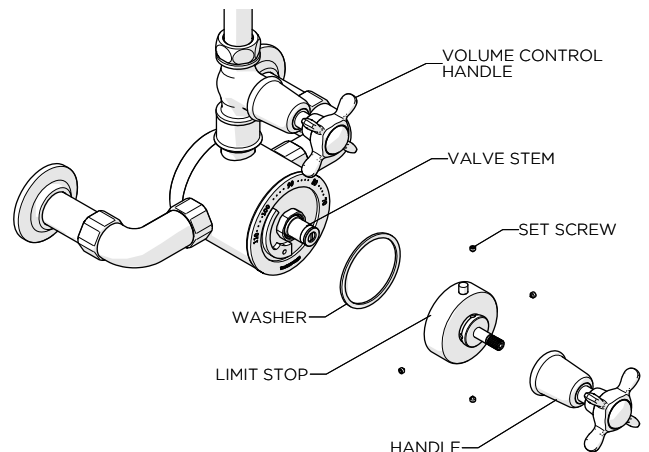
- Attached the shower arm to the valve body using the rubber washer provided. Securely tighten the union nut on the end of the shower arm then secure the shower arm to the bracket using the nuts and screw provided.



CALIBRATE THE TEMPERATURE:

➤ The risk of scalding exists until the installer has properly calibrated the temperature setting.

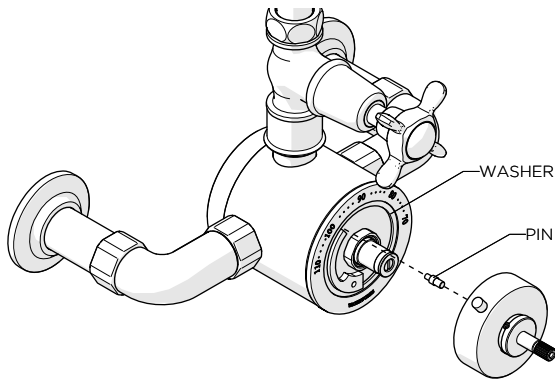
- Unthread the handle from the limit stop then loosen the set screws to remove the limit stop and expose the valve stem.



- Turn on the water supply and integrated volume control valve by rotating the handle counterclockwise.

These guidelines have been prepared for the professional contractor to aid in the installation of:
EASTON CLASSIC EXPOSED THERMOSTATIC SYSTEM WITH 8" SHOWER ROSE (STYLE No. EAXS42) &
EASTON CLASSIC EXPOSED THERMOSTATIC SYSTEM WITH 8" SHOWER ROSE AND HANDSHOWER
(STYLE No. EAXS52)
All dimensions are based on original specification and are subject to change and variation.
Please consult your Design Associate for current specifications.

11. Slowly rotate the valve stem clockwise to attain full cold then rotate it counterclockwise to attain full hot. Verify that a full range of temperatures exists.
12. With water running, rotate the valve stem to adjust the temperature to the maximum desired bathing temperature, verified with a thermometer. Turn the water off and make sure not to change this temperature setting.
13. Place the limit stop back, using the washer, onto the valve stem making sure the limit stop pin makes contact with the limit stop on valve face plate then tighten the set screws.

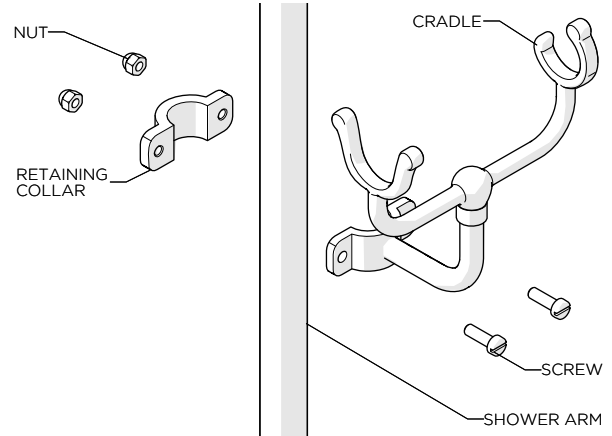


INSPECT THE INSTALLATION:

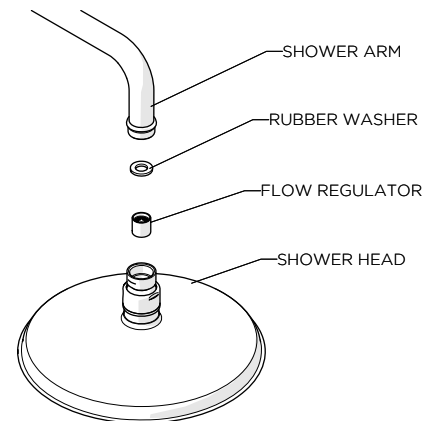
14. Turn the limit stop clockwise then turn the water on and confirm the limit stop is functioning properly by turning it counterclockwise at which point it should stop.
15. Verify the temperature to be the maximum temperature set in Step 12 then turn the water off. If it is not the correct temperature, repeat the calibration procedures.
16. To get a hotter temperature, press and hold the limit stop button then rotate the limit stop until it stops. It is NOT recommended to exceed the safety limit stop of 100 degrees.

FINISH THE INSTALLATION:

- If a handshower will be installed, continue with steps 17 - 18; If not, continue with step 19:
17. Attach the handshower cradle onto the shower arm at the desired height using the screws and nuts provided.



18. Connect the conical end of the handshower hose to the handshower and the hex end to the bottom of the valve body. Place the handshower on the cradle. NOTE: There is a 2.5gpm flow regulating check valve in the handshower.
19. Attach the shower head to the shower arm using the rubber washer provided. NOTE: There is a 2.5gpm flow regulator in the pivot ball.



20. If desired, a bead of caulk or a clear silicone may be applied where the escutcheons contact the finished wall. DO NOT use putty.*
21. Turn on the volume control valve(s) and carefully inspect all connections for leaks and check for proper operation.

- If further assistance is required, please contact Product Support at 1-800-927-2120 Ext 2 Monday through Friday, 8am - 6pm EST.

* Putty contains oil and can cause permanent discoloration on certain materials such as marble, granite and any porous surface.

These guidelines have been prepared for the professional contractor to aid in the installation of:
EASTON CLASSIC EXPOSED THERMOSTATIC SYSTEM WITH 8" SHOWER ROSE (STYLE No. EAXS42) &
EASTON CLASSIC EXPOSED THERMOSTATIC SYSTEM WITH 8" SHOWER ROSE AND HANDSHOWER
(STYLE No. EAXS52)
All dimensions are based on original specification and are subject to change and variation.
Please consult your Design Associate for current specifications.