

EASTON

EAXT21

Easton Classic Exposed Tub Filler, White Porcelain Handshower and Lever Diverter with White Porcelain Indices



SHOWN IN EASTON CLASSIC EXPOSED TUB FILLER, WHITE PORCELAIN HANDSHOWER AND LEVER DIVERTER WITH WHITE

TECHNICAL DETAILS

ADA Compliance: No
 Adjustable versus Fixed Spray: Fixed Spray
 Flow Restriction Options: 2.5, 2.0, 1.75, 1.5, 0.92
 Handle Spread Maximum: 7 1/4"
 Handle Spread Minimum: 7 1/4"
 Handle Turn Angle: Quarter Turn
 Handshower / Spray Hose Length: 59"
 Index Color / Finish and Material: White Porcelain
 Depth / Width: 6 3/4"
 Height: 15 1/2"
 Inlet Connection Size: 3/4"
 Inlet Connection Type: Female Union Nut
 Inlet Supply Spread Maximum: 7 1/4"
 Inlet Supply Spread Minimum: 7 1/4"
 Installation Type: Wall or deck mounted
 Integrated Diverter: Y
 Length: 11"
 Primary Material: Brass
 Suggested Application: Bath
 Water Pressure Maximum: 75.0 psi
 Water Pressure Minimum: 20.0 psi
 Water Pressure Recommended: 45.0 psi

INSPIRATION

Drawing on Edwardian style, Easton is the most extensive Waterworks family; a range of moods and a selection of products from fittings to furniture.

CODES & STANDARDS

ASME A112.18.1, CSA B125, ASSE 1014, State of MA

PRODUCT FEATURES

Easton is our most comprehensive fittings family.

Easton has a clean-lined utilitarian profile, with a slightly elongated spout.

Stocked in 2.5gpm (9.5 L/min) and 1.75gpm (6.6 L/min) for handshower. State of California requires 1.75gpm (6.6 L/min) to comply with their water conservation requirements. Other flow options are available to order, contact your sales associate or call 1 (800) 899-6757 for details.

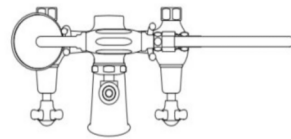


WATERWORKS

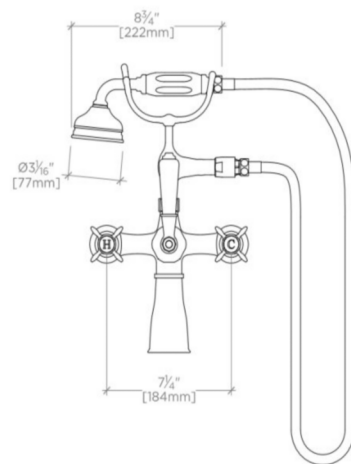
EASTON

EAXT21

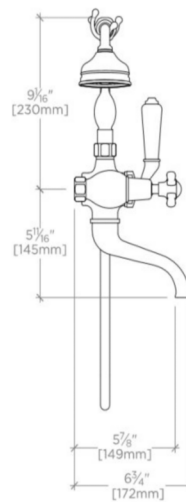
Easton Classic Exposed Tub Filler, White Porcelain Handshower and Lever Diverter with White Porcelain Indices



TOP VIEW SCALE: 1 1/2"=1'-0"



FRONT VIEW SCALE: 1 1/2"=1'-0"



SIDE VIEW SCALE: 1 1/2"=1'-0"